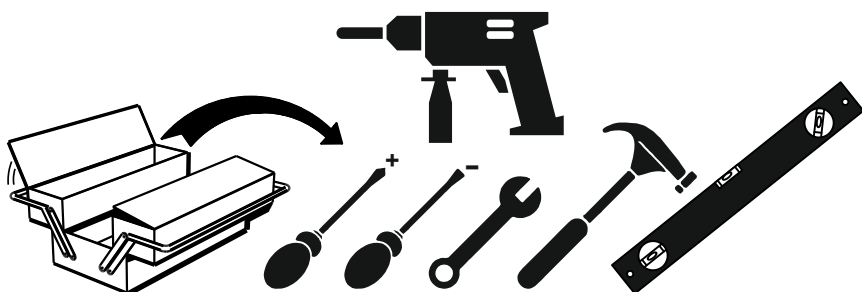
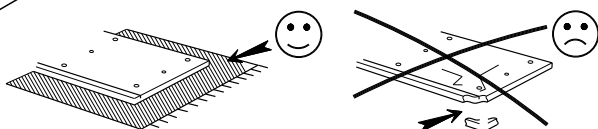
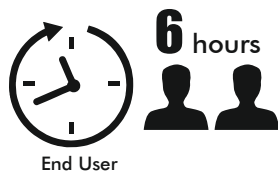
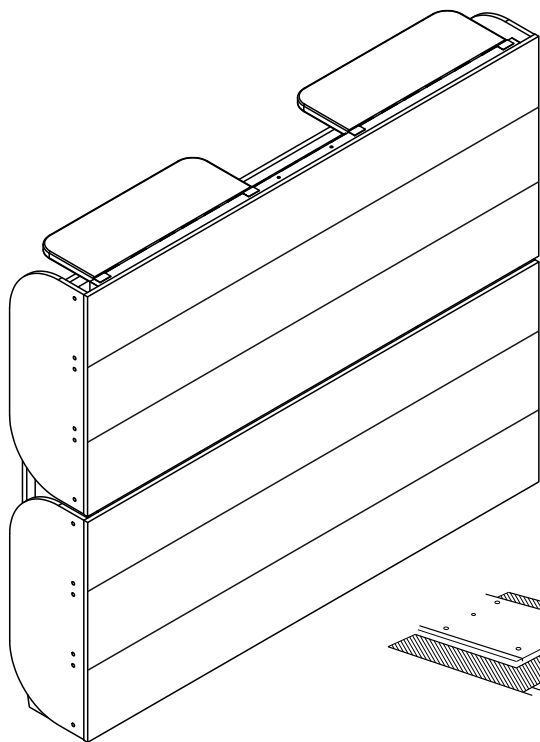




MULTIMO

A 750- SIMPLE BUNK



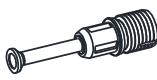




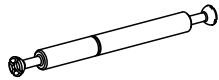

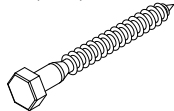

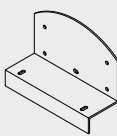
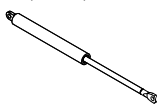
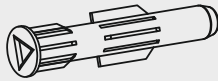
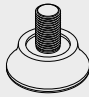

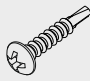
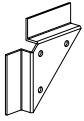

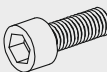
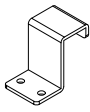
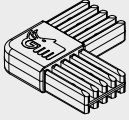

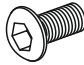
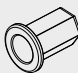
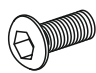
VIDEO

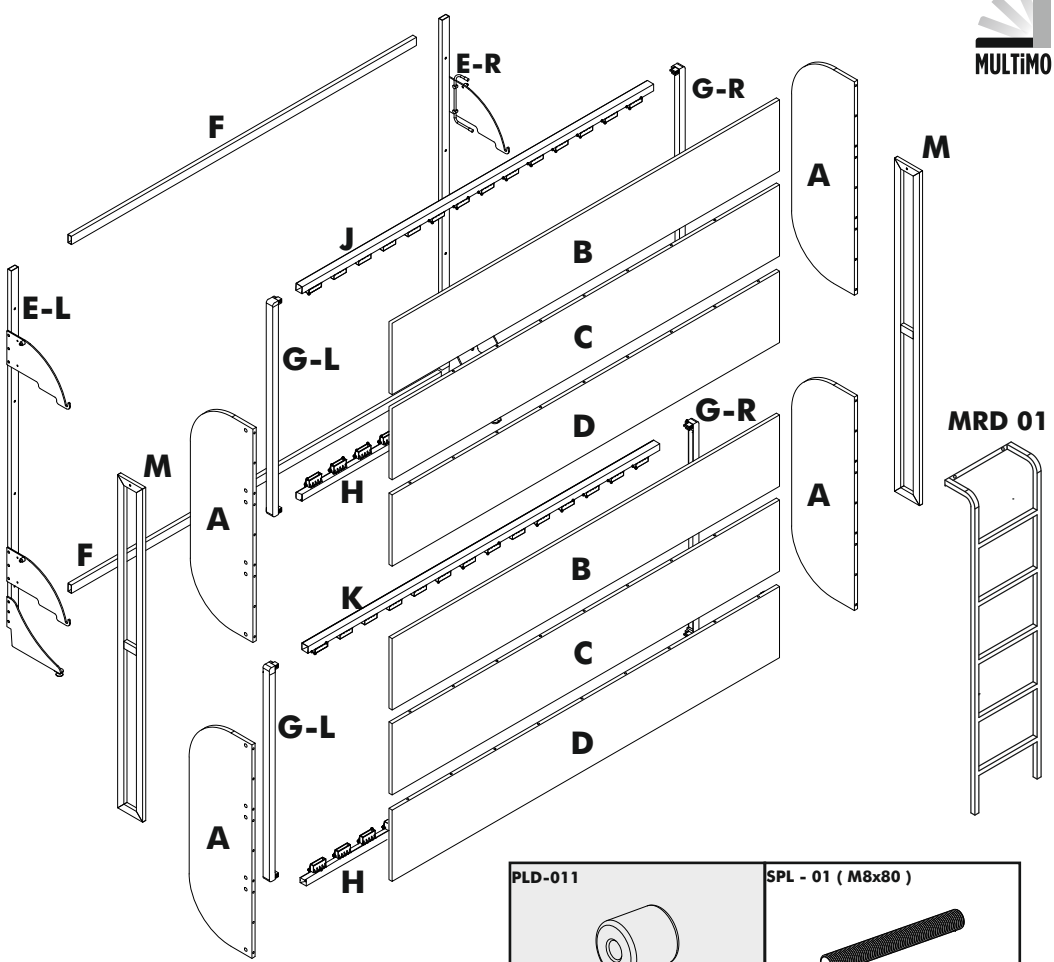


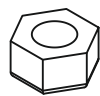


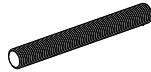
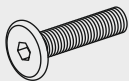
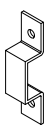

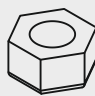

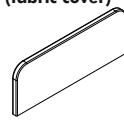


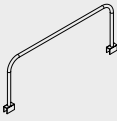
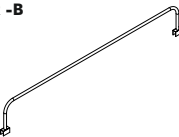
<https://youtu.be/JQ78GnrNF6E>

Track Title	Piece	(inch)			(mm)			
		Thickness	Length	Width	Piece	Thick	Height	Most
A	4	0,71	40,08	13,58	4	18	1018	345
B	2	0,71	84,17	13,39	2	18	2138	340
C	2	0,71	84,17	13,39	2	18	2138	340
D	2	0,71	84,17	13,39	2	18	2138	340
E-R / E-L	2		65,94		2		1675	
F	2		75,98		2		1930	

Accessories List

MXN 02  24 / piece	MNG - 01  64 / piece	KVL 01  28 / piece	TAP - 01  64 / piece
SG - 01  8 / piece	MXN - 03  20 / piece	VTB - 02 (4,2x16) mm  72 / piece	TFC - 01 (8x70) mm  20 / piece
SC-79  2 / piece	SC-78  4 / piece	AMR 03 (300 N)  4 / piece	DD - 01 (R10)  20 / piece
BAKA - 01  2 / piece	PL - 04 (5x12x0,7) mm  16 / piece	YSB - 01 (3,9x16) mm  16 / piece	SC-98  2 / piece
KCE - 01  8 / piece	IM - 02 (6x20) mm  8 / piece	SC-110  28 / piece	KBY- 02  4 / piece
SYS-01  2 / piece	CTM - 01 (6x10) mm  8 / piece	SKT 01  8 / piece	CTM - 04 (8x25) mm  6 / piece

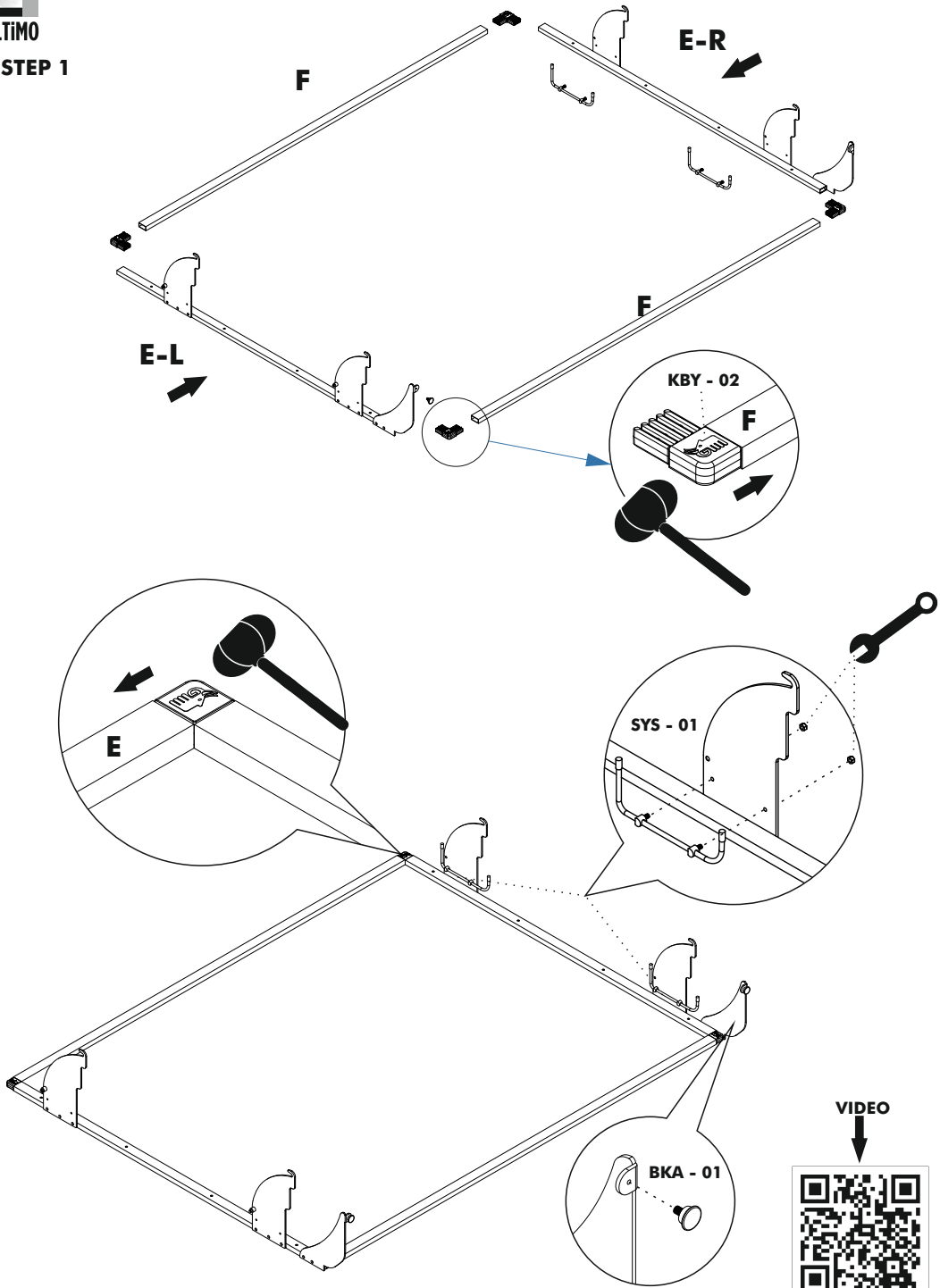


<p>SN - 01 (M6)</p>  <p>2 / piece</p>	<p>PL - 01 (6x19x1) mm</p>  <p>2 / piece</p>	<p>PLD-011</p>  <p>2 / piece</p>	<p>SPL - 01 (M8x80)</p>  <p>2 / piece</p>
<p>CT - 03 (6x50) mm</p>  <p>2 / piece</p>	<p>SC-101</p>  <p>3 / piece</p>	<p>PL - 06 (6x30x2) mm</p>  <p>2 / piece</p>	<p>SN - 02 (M8)</p>  <p>4 / piece</p>
<p>LTA - 01</p>  <p>28 / piece</p>	<p>KLF -F (fabric cover)</p>  <p>2 / piece</p>	<p>AL - 01 (4MM)</p>  <p>1 / piece</p>	<p>AL - 02 (5MM)</p>  <p>1 / piece</p>
		<p>KOR -F</p>  <p>2 / piece</p>	<p>KOR -B</p>  <p>2 / piece</p>



MULTIMO

STEP 1



<https://youtu.be/-FoNxbAcSe4>

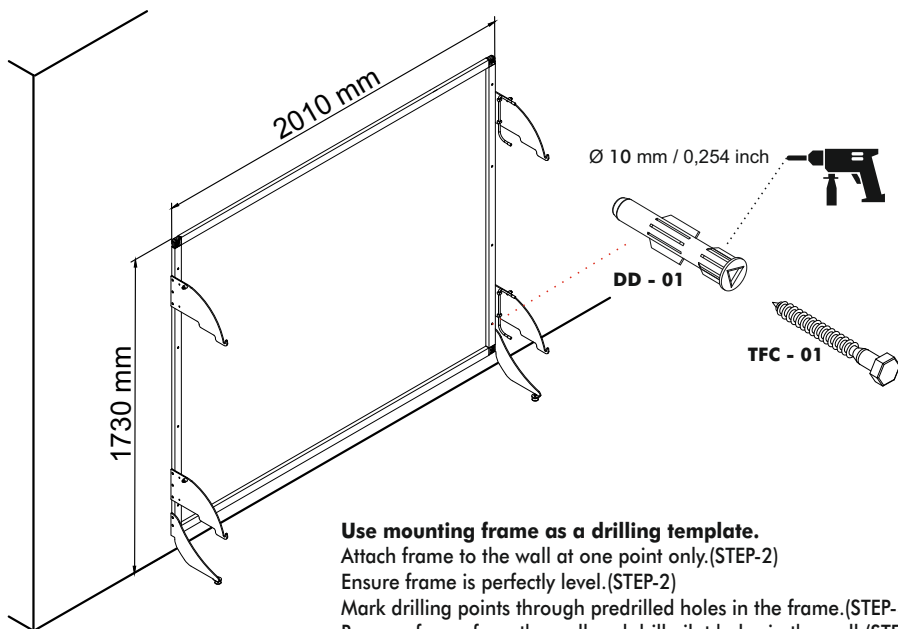


ATTENTION!!!

Must be secured to the wall made of brick, concrete or similarly strong material.
 Mounting to wooden or metal studs is also acceptable.
 Do not mount directly to sheetrock or paper-mache type walls not supported by studs.



STEP 2



Use mounting frame as a drilling template.

Attach frame to the wall at one point only. (STEP-2)

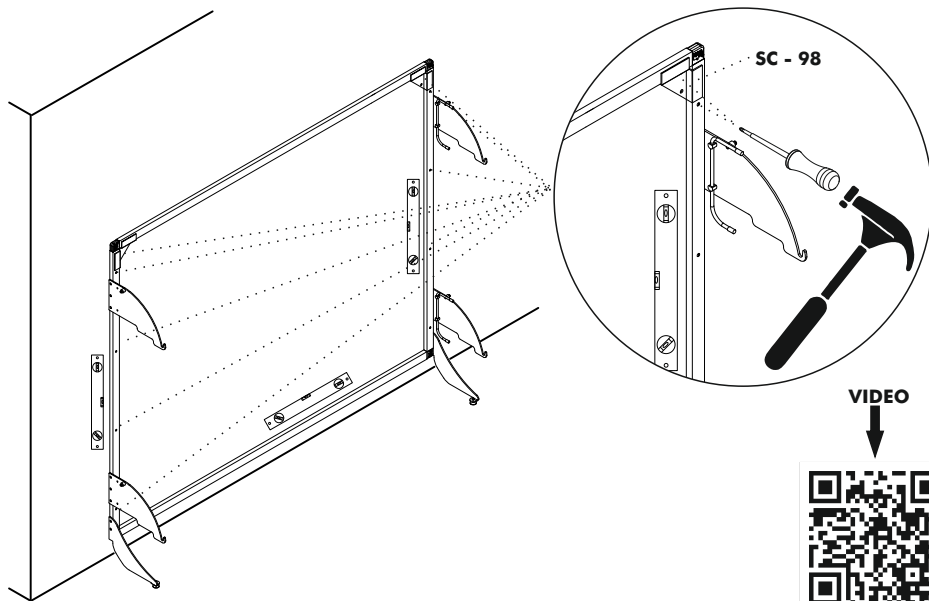
Ensure frame is perfectly level. (STEP-3)

Mark drilling points through predrilled holes in the frame. (STEP-3)

Remove frame from the wall and drill pilot holes in the wall. (STEP-4)

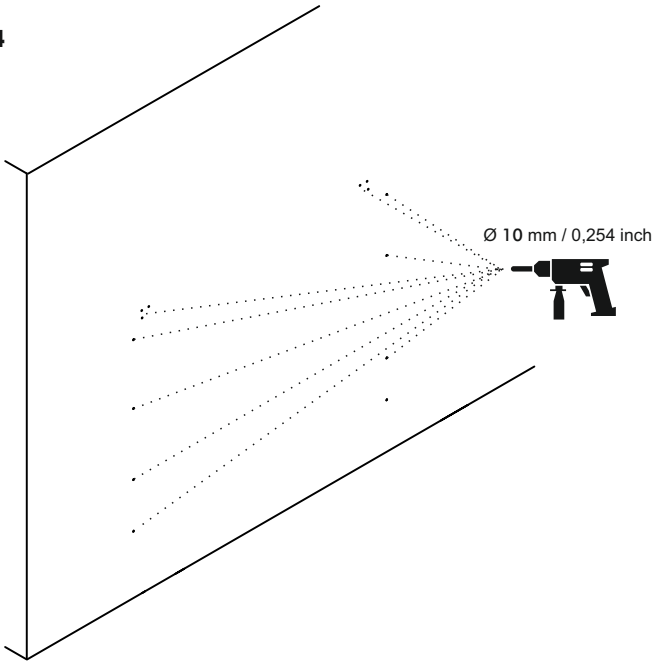
Attach frame to the wall using supplied hardware. (STEP-5-6)

STEP 3

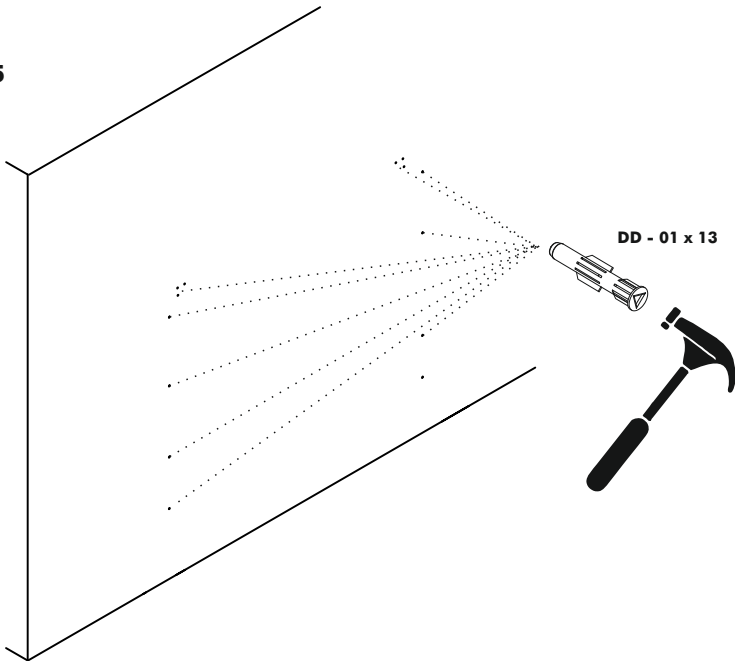


https://youtu.be/gWSn_aBcYXg

STEP 4



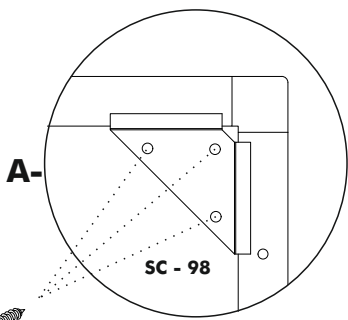
STEP 5



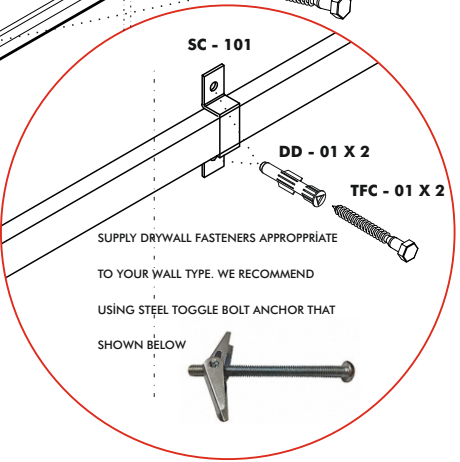
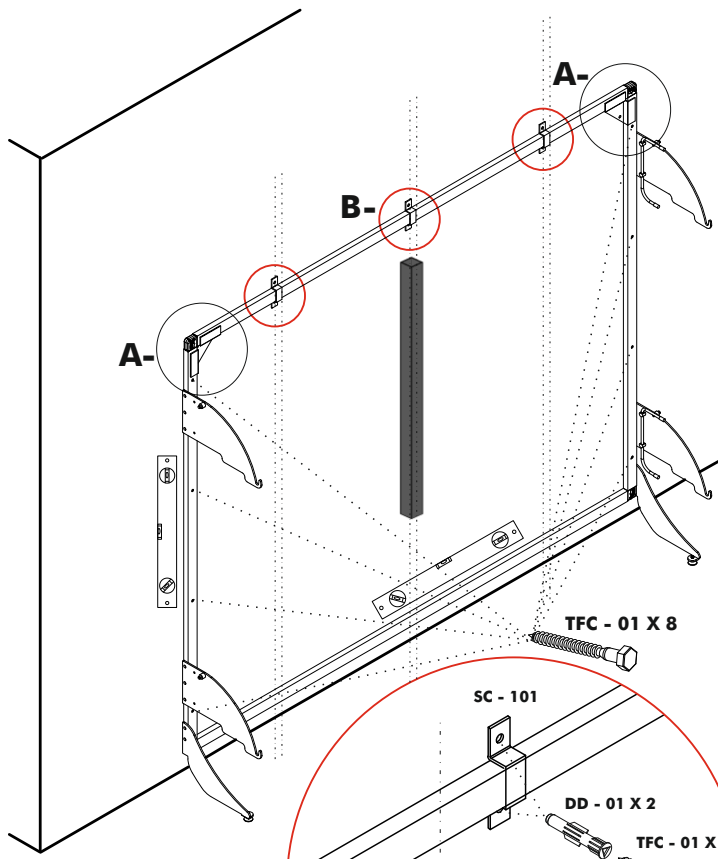
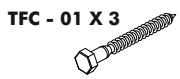
VIDEO



STEP 6



FIRST LOCATE THE STUDS BY USING "STUD FINDER" IN THE WALL AND DRILL IT



SUPPLY DRYWALL FASTENERS APPROPRIATE TO YOUR WALL TYPE. WE RECOMMEND USING STEEL TOGGLE BOLT ANCHOR THAT SHOWN BELOW



VIDEO

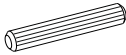


<https://youtu.be/nlbO-OhFHsQ>

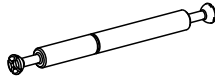
STEP 7



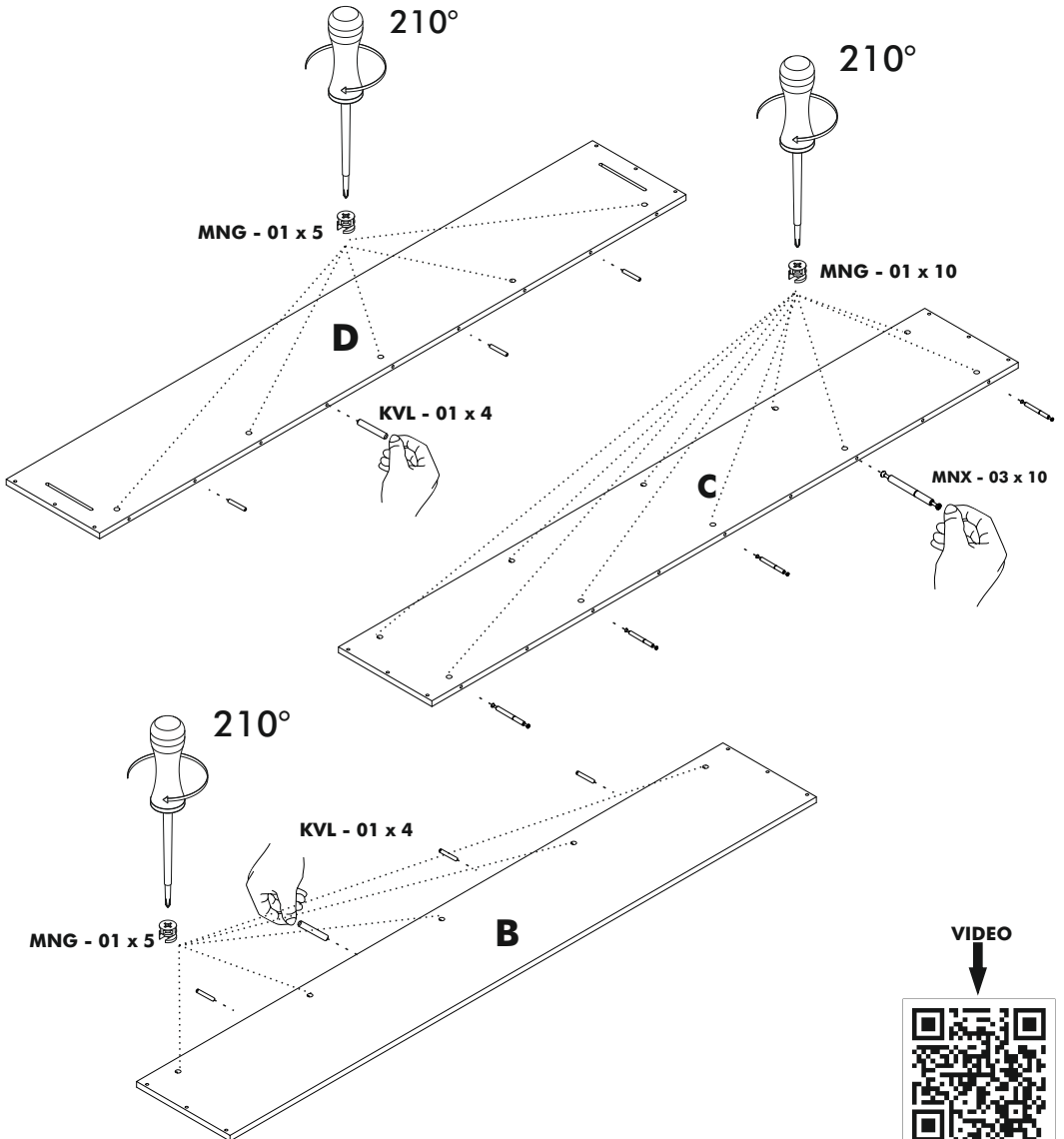
MNG - 01



KVL 01



MNX - 03

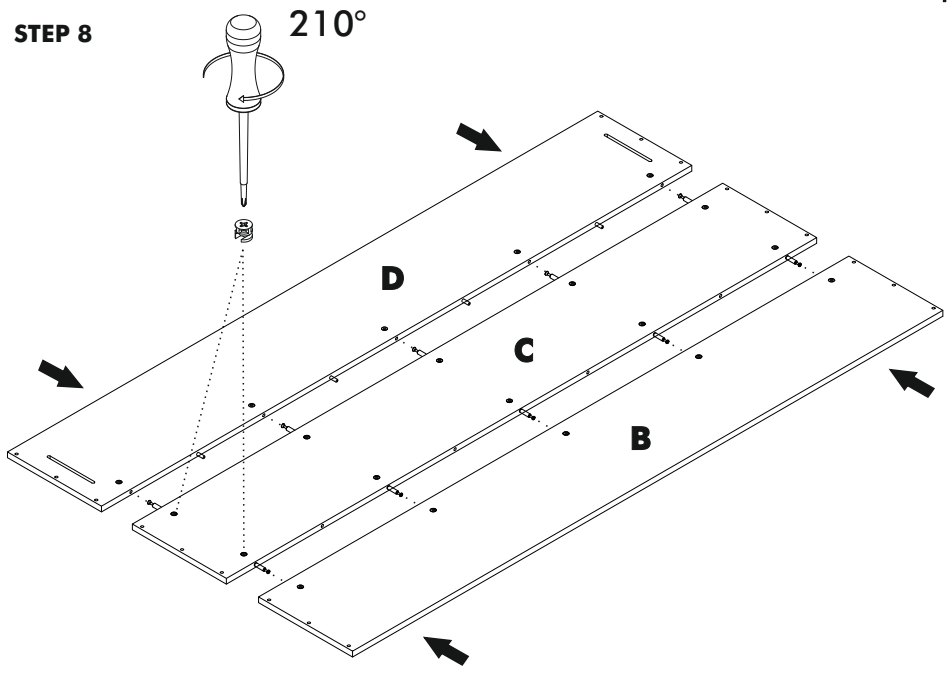


VIDEO

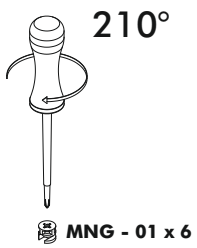
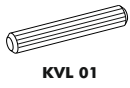


<https://youtu.be/OUh08ZqbuCw>

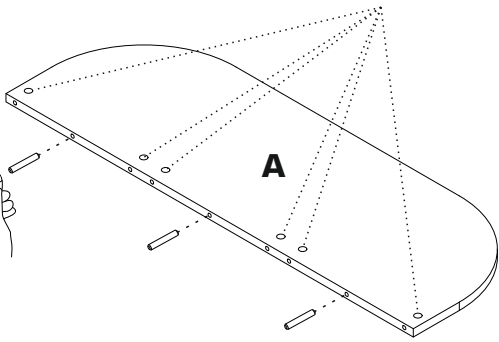
STEP 8



STEP 9



KVL - 01 x 3

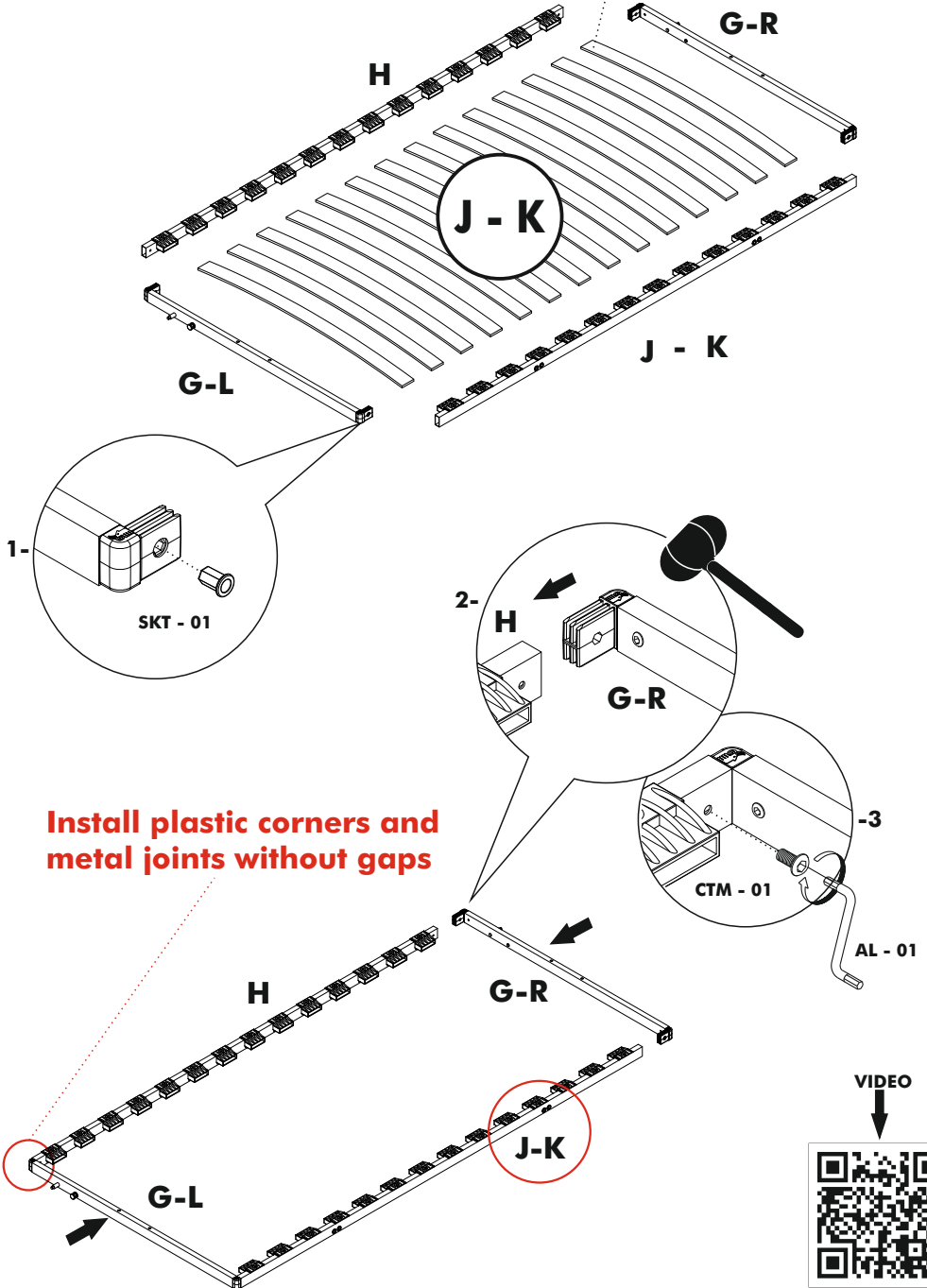


VIDEO



STEP 10

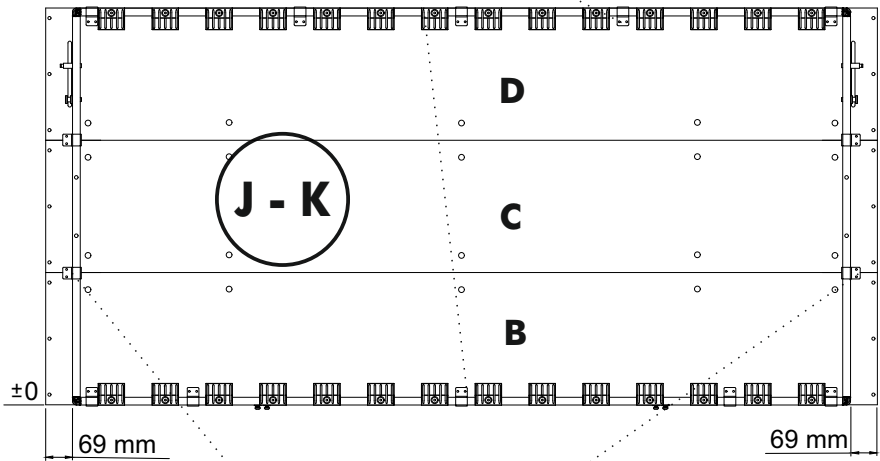
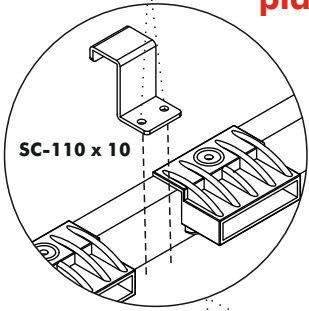
LTA - 01 x 14



STEP 11

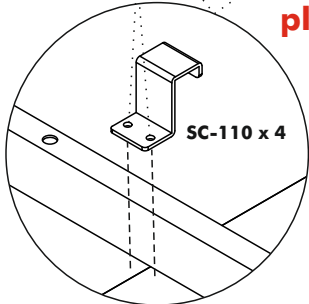
VTB - 02 x 20

Assemble the brackets over the places shown over H,J,K profiles



VTB - 02 x 8

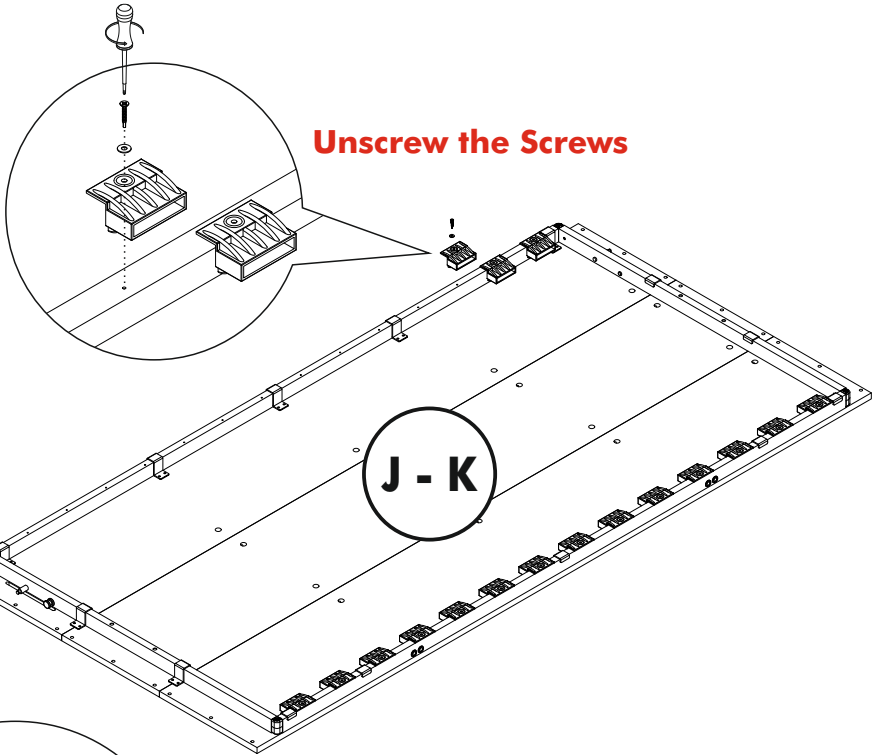
Assemble the brackets over the places shown over G-L,G-R profiles



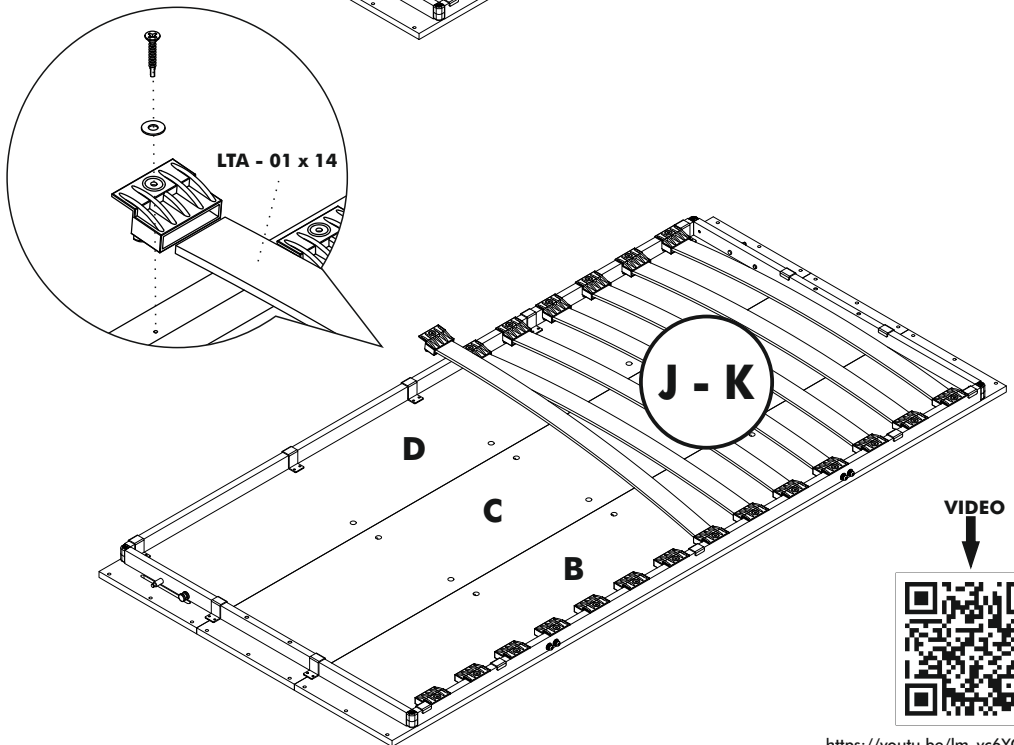
VIDEO



STEP 12



STEP 13

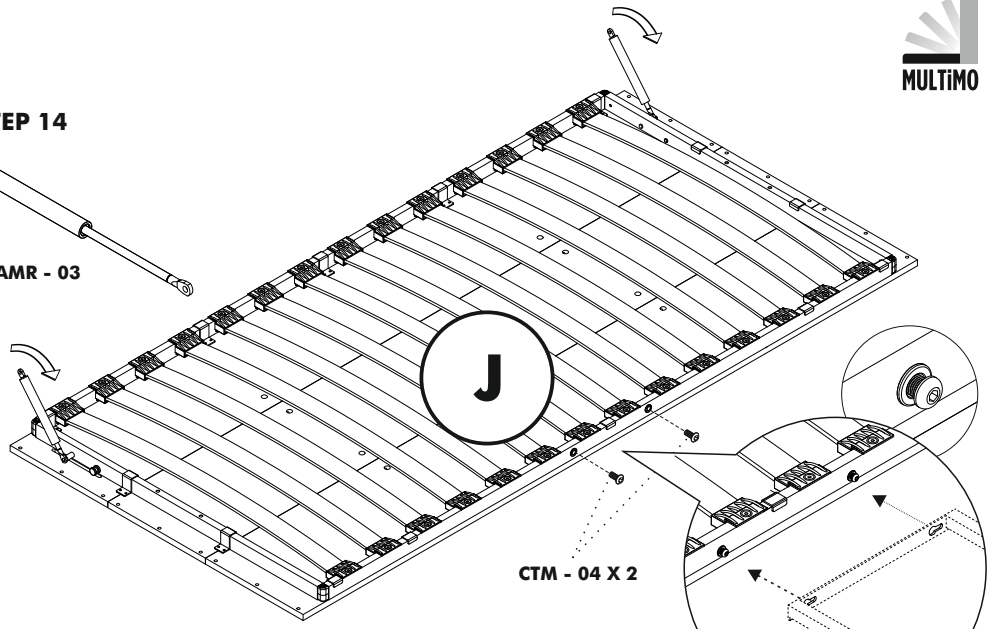
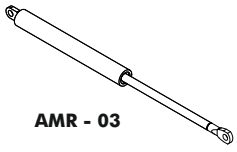


VIDEO

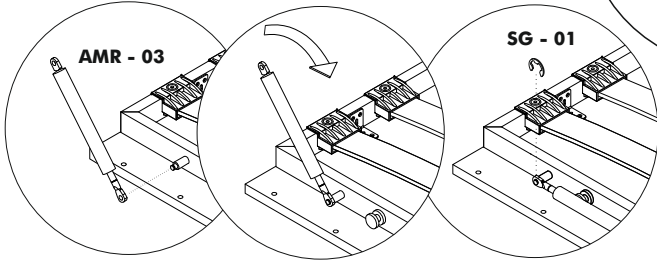


https://youtu.be/lm_yc6YC1zY

STEP 14



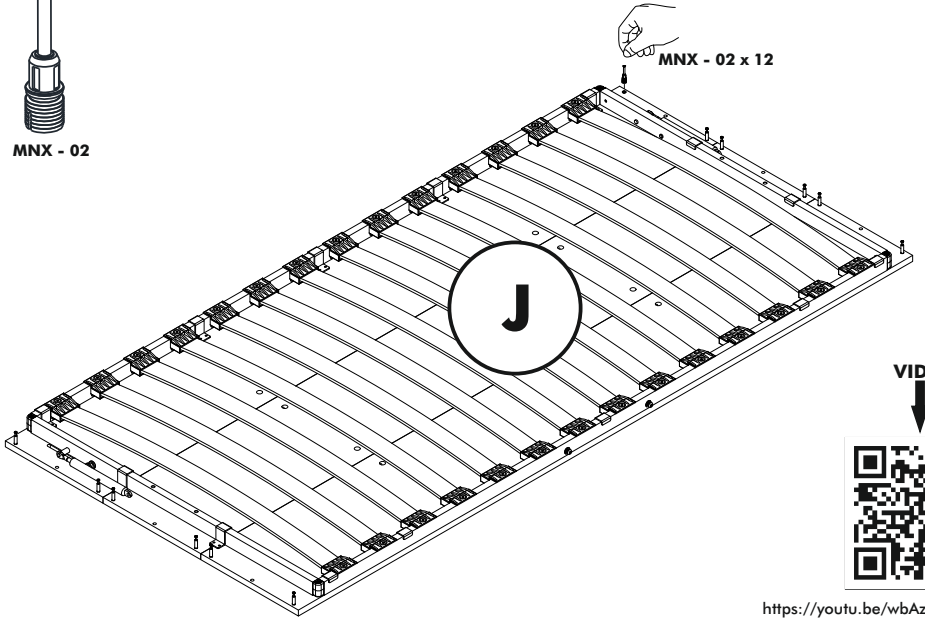
CTM - 04 X 2



AMR - 03

SG - 01

STEP 15

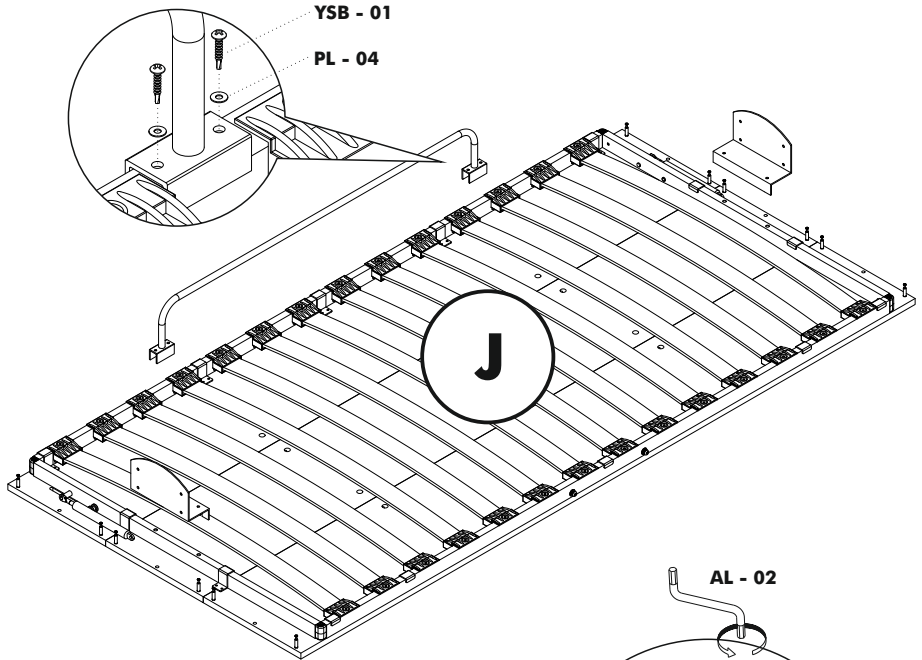


MNX - 02 x 12

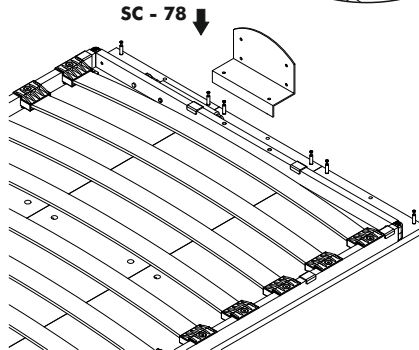
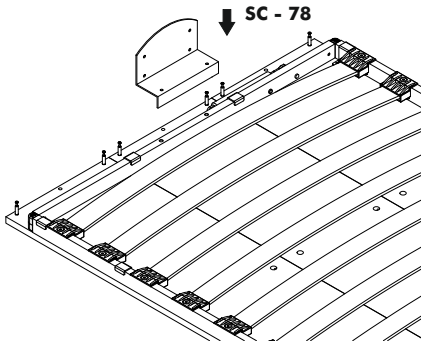
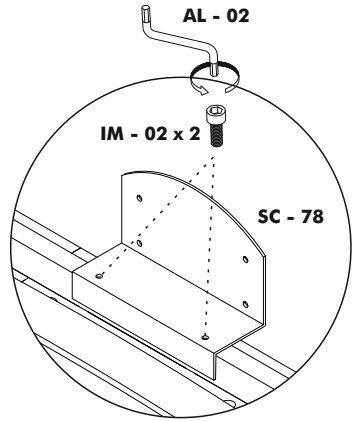
VIDEO



STEP 16



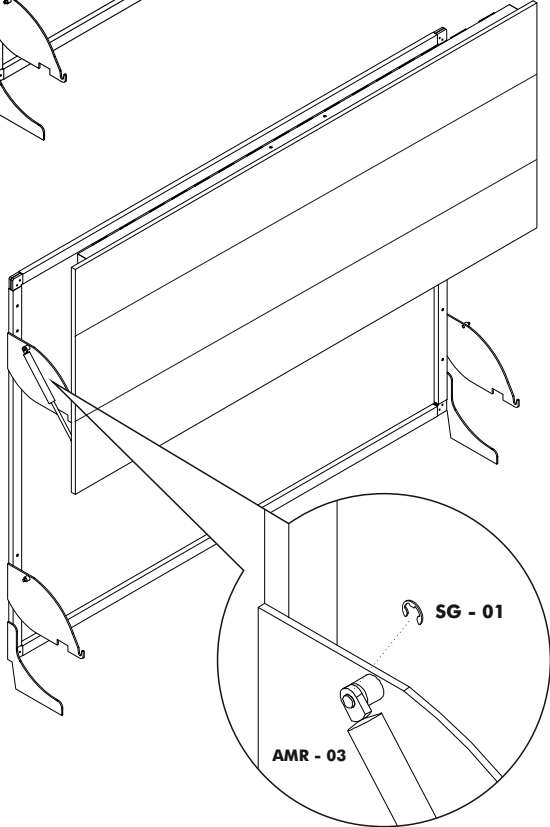
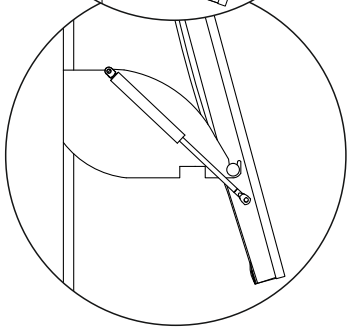
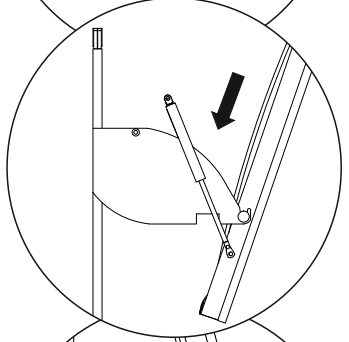
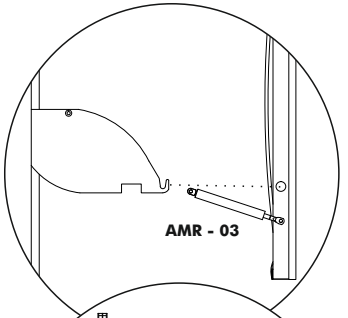
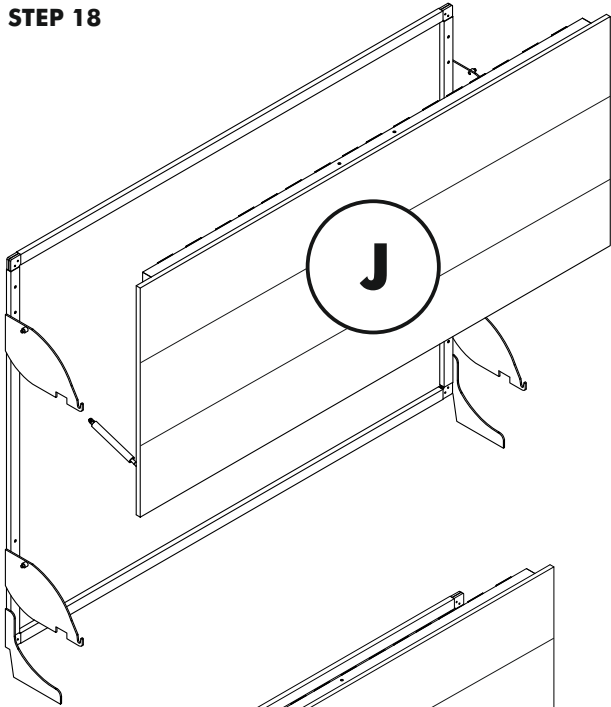
STEP 17



VIDEO



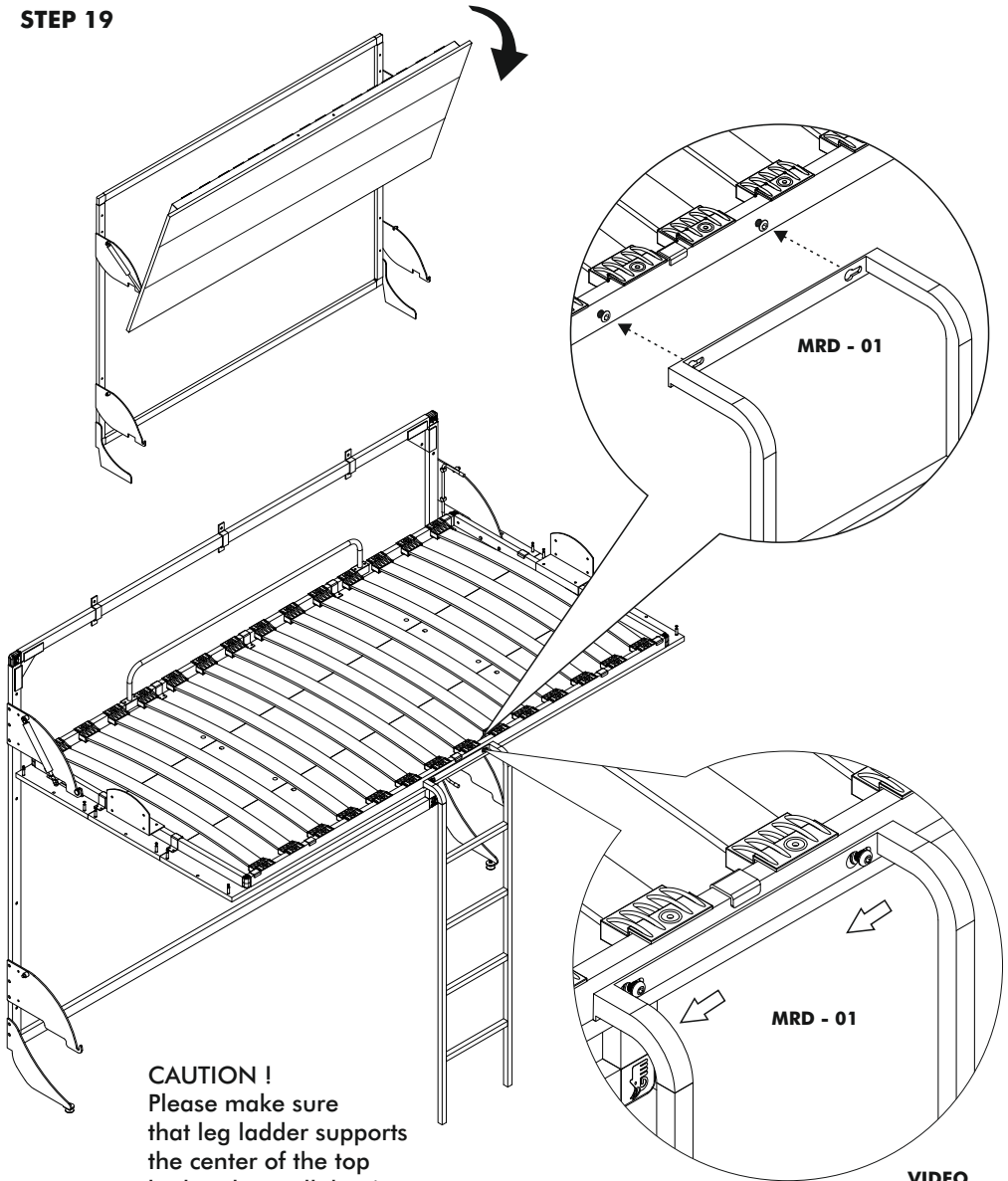
STEP 18



VIDEO



STEP 19



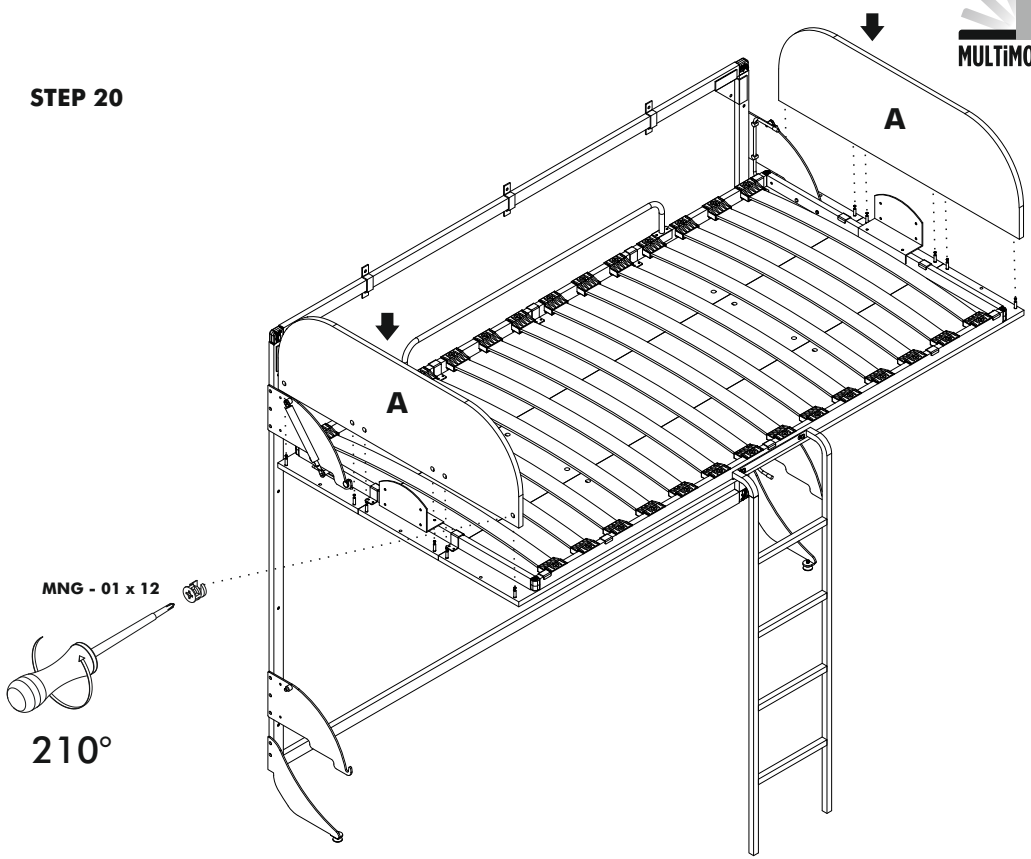
CAUTION !
Please make sure
that leg ladder supports
the center of the top
bed and use all the time
when the bed is open

VIDEO

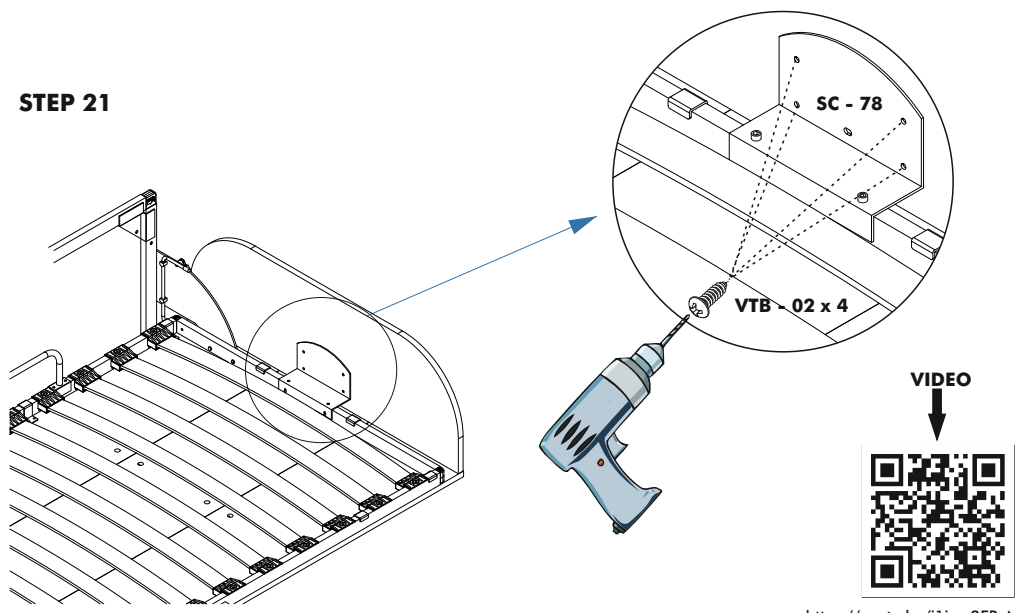


<https://youtu.be/1Oppk5qjgEA>

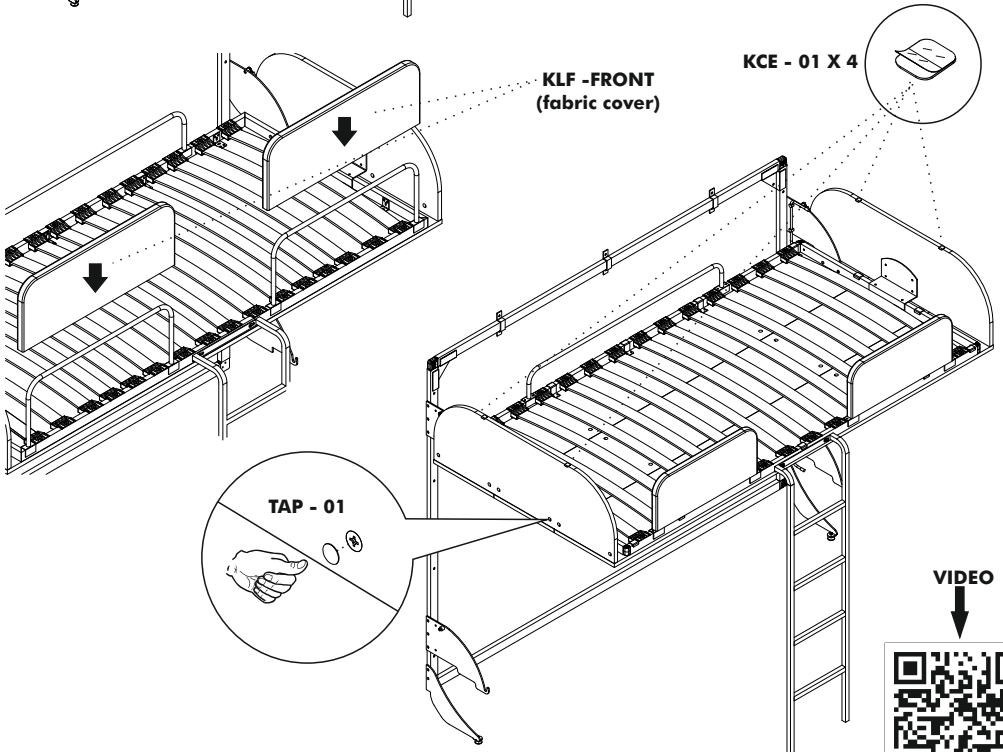
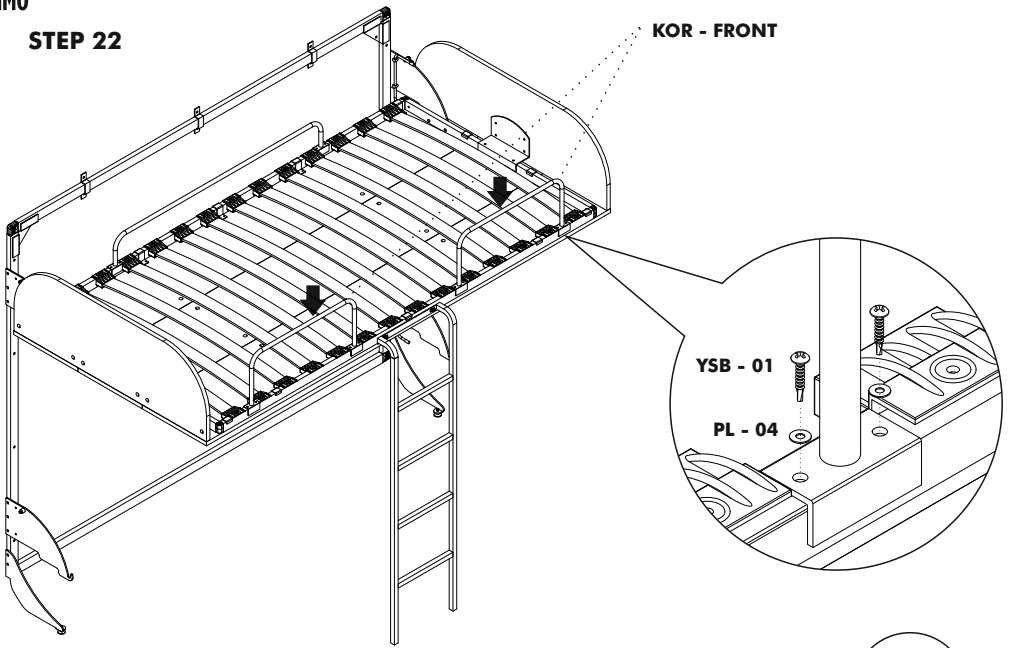
STEP 20



STEP 21



STEP 22

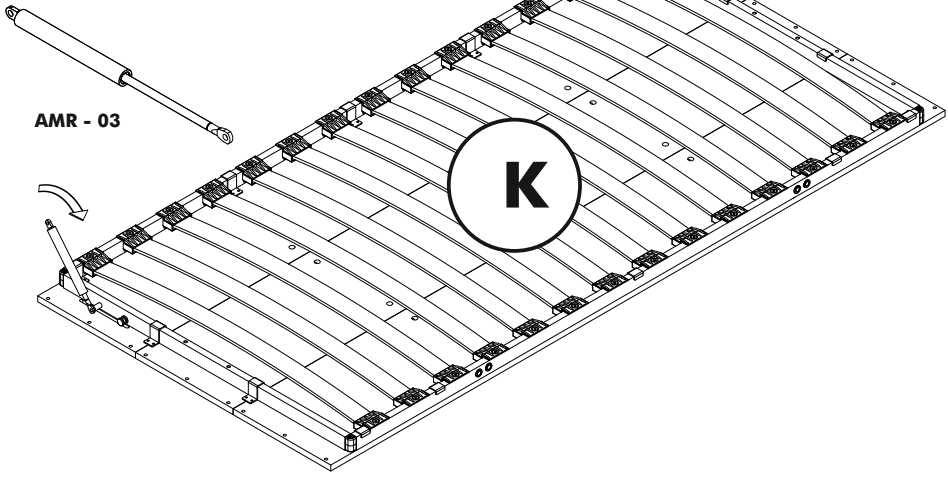


VIDEO



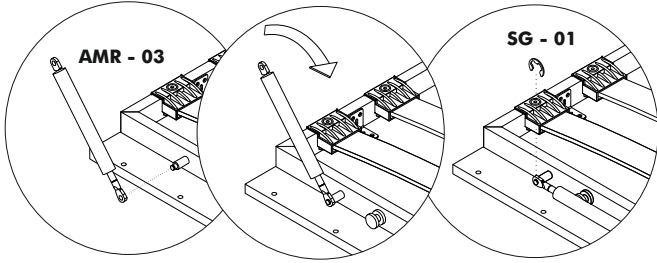
<https://youtu.be/KRtPoLvYoE4>

STEP 23



AMR - 03

K



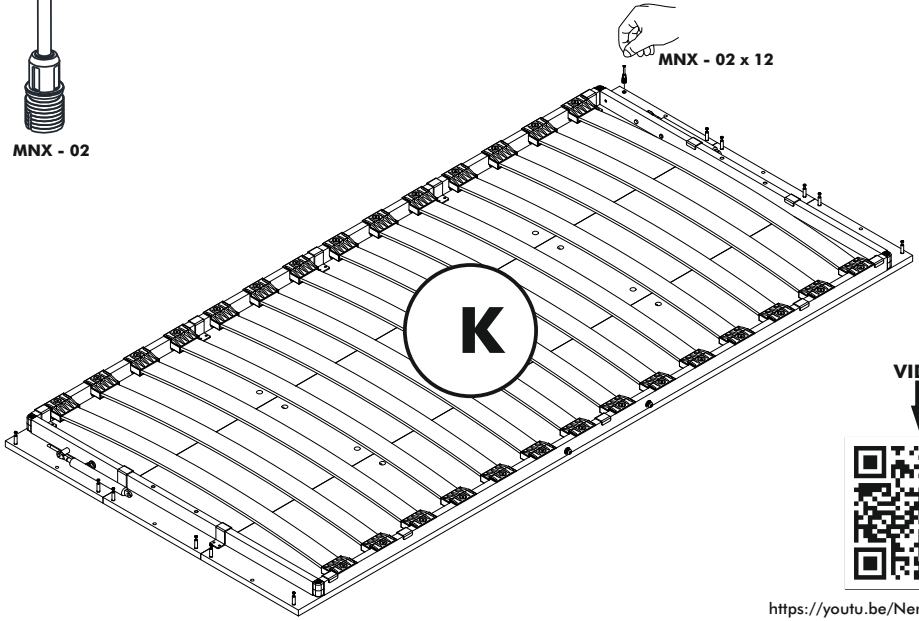
AMR - 03

SG - 01

STEP 24



MNX - 02



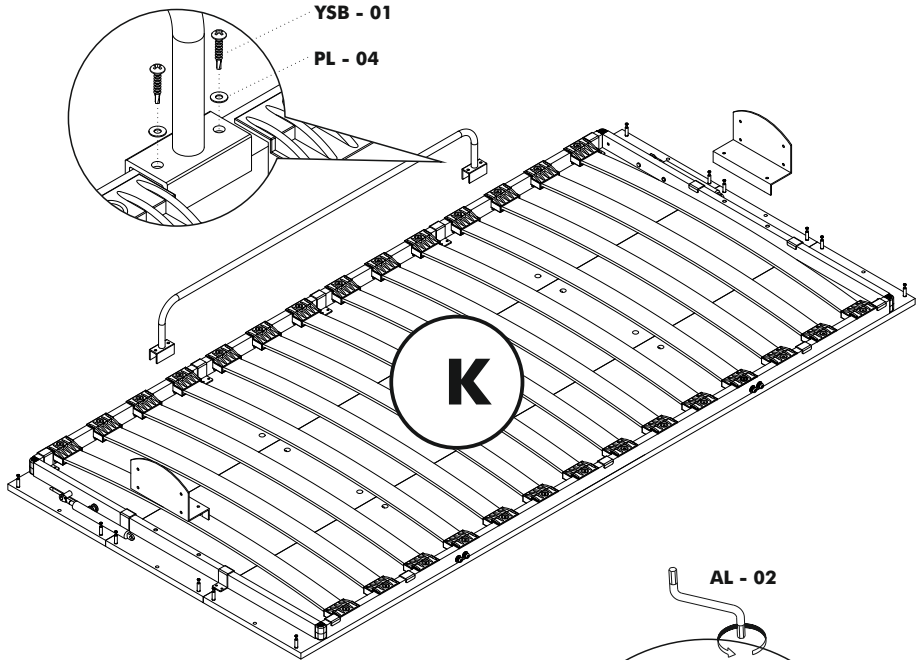
MNX - 02 x 12

K

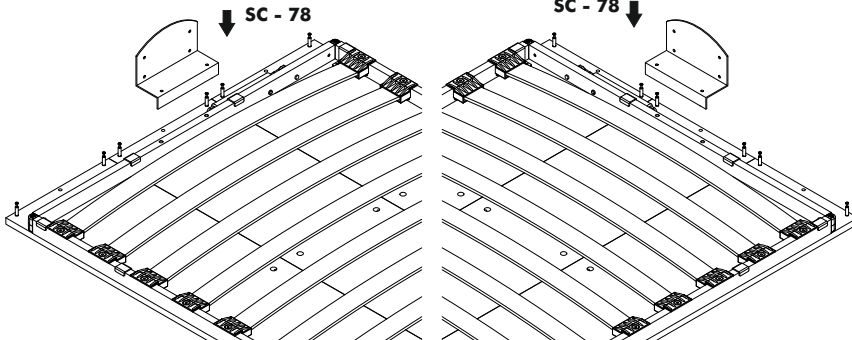
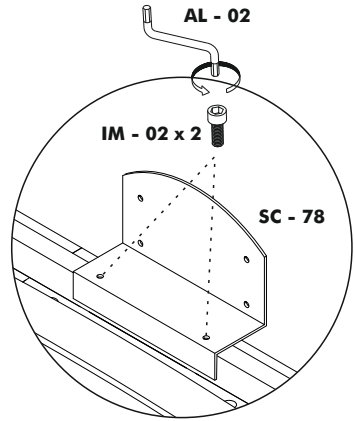
VIDEO



STEP 25



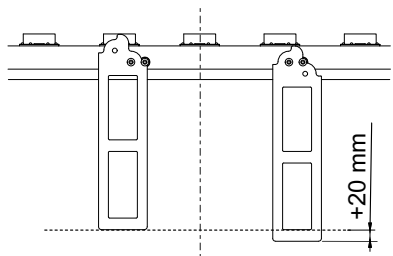
STEP 26



VIDEO



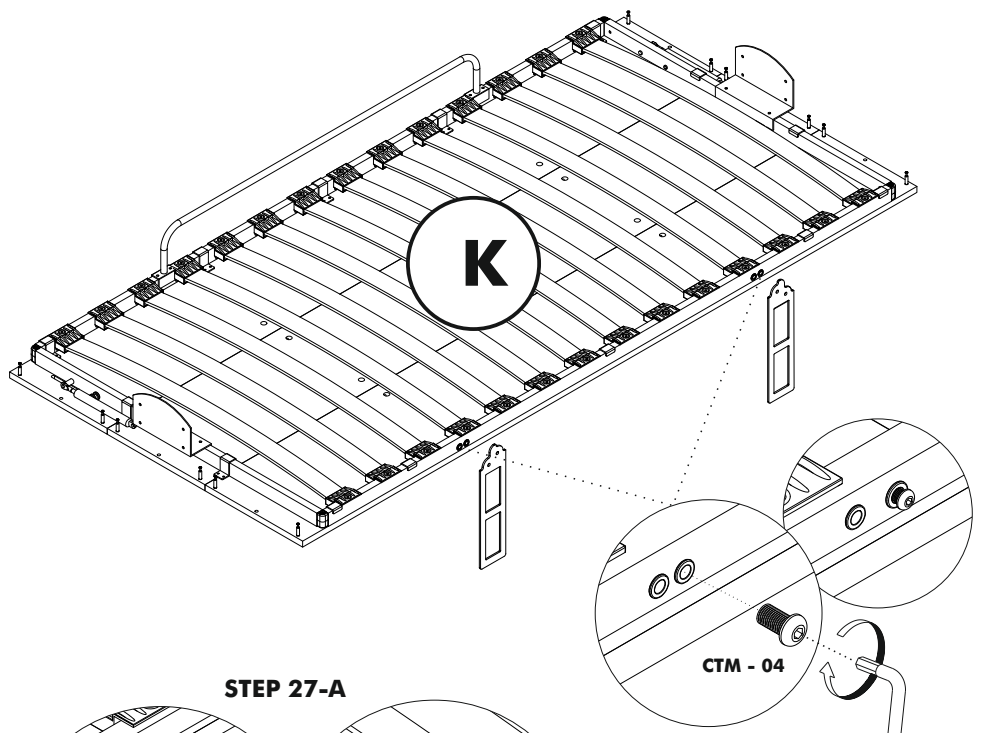
STEP 27



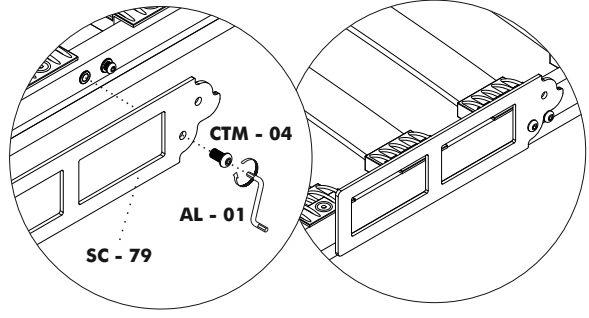
Method of application on sloping floors

STEP 27-A

STEP 27-B



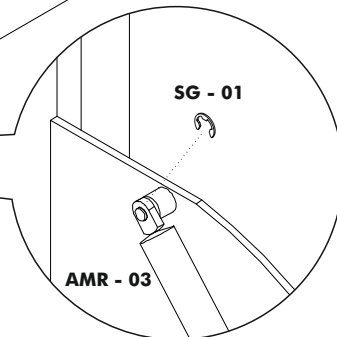
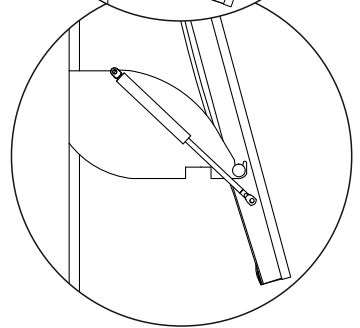
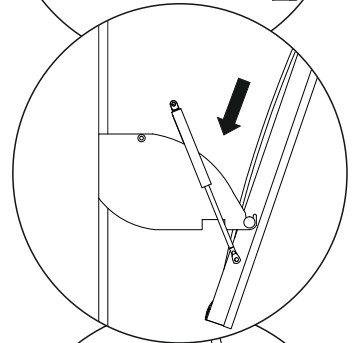
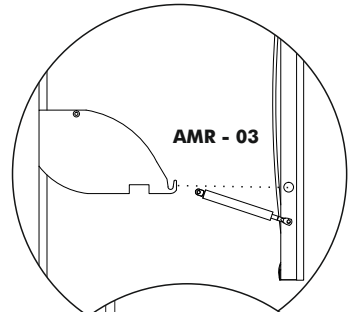
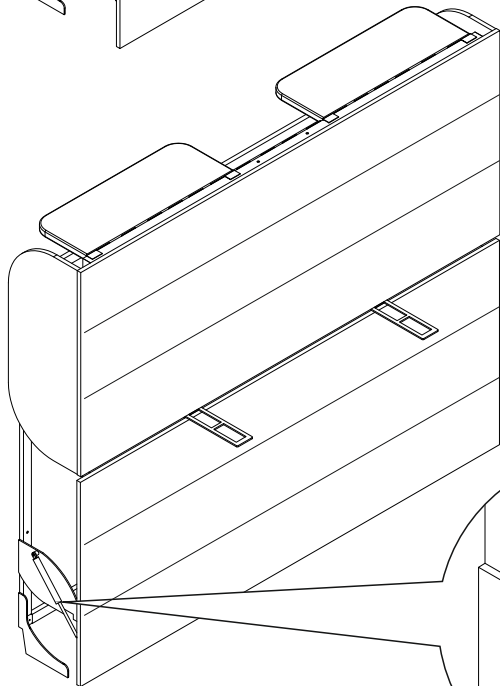
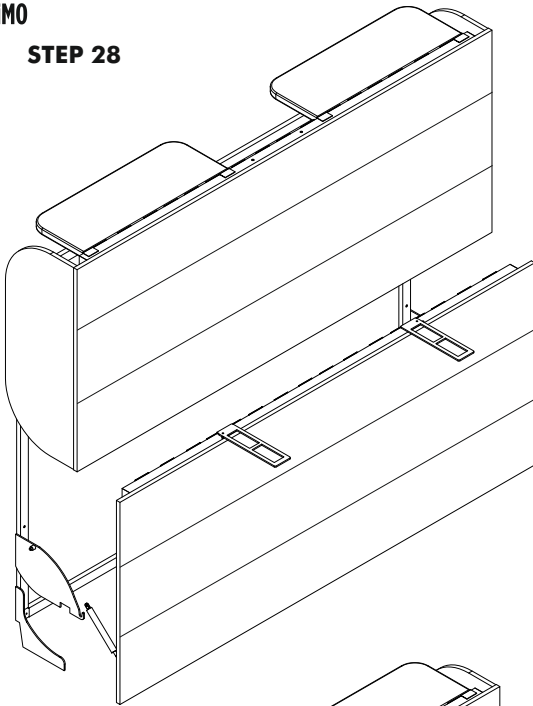
STEP 27-A



VIDEO



STEP 28

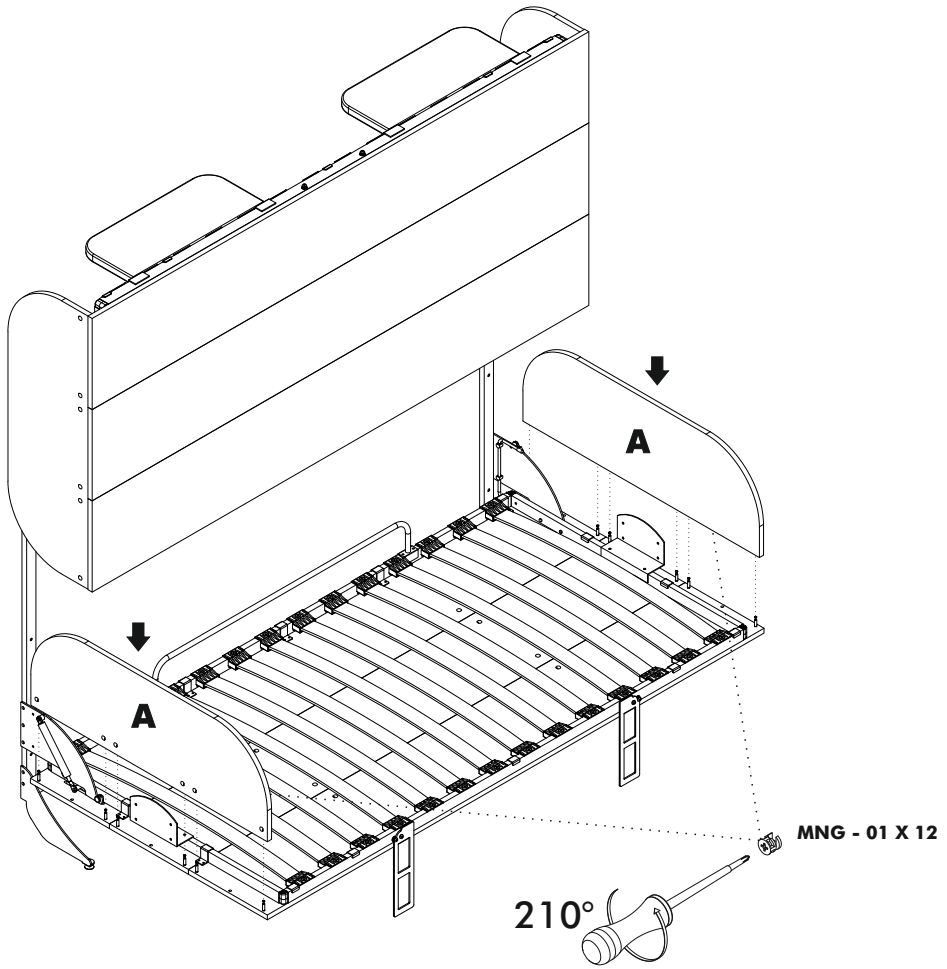


VIDEO



<https://youtu.be/8t4Bch2WPtq>

STEP 29

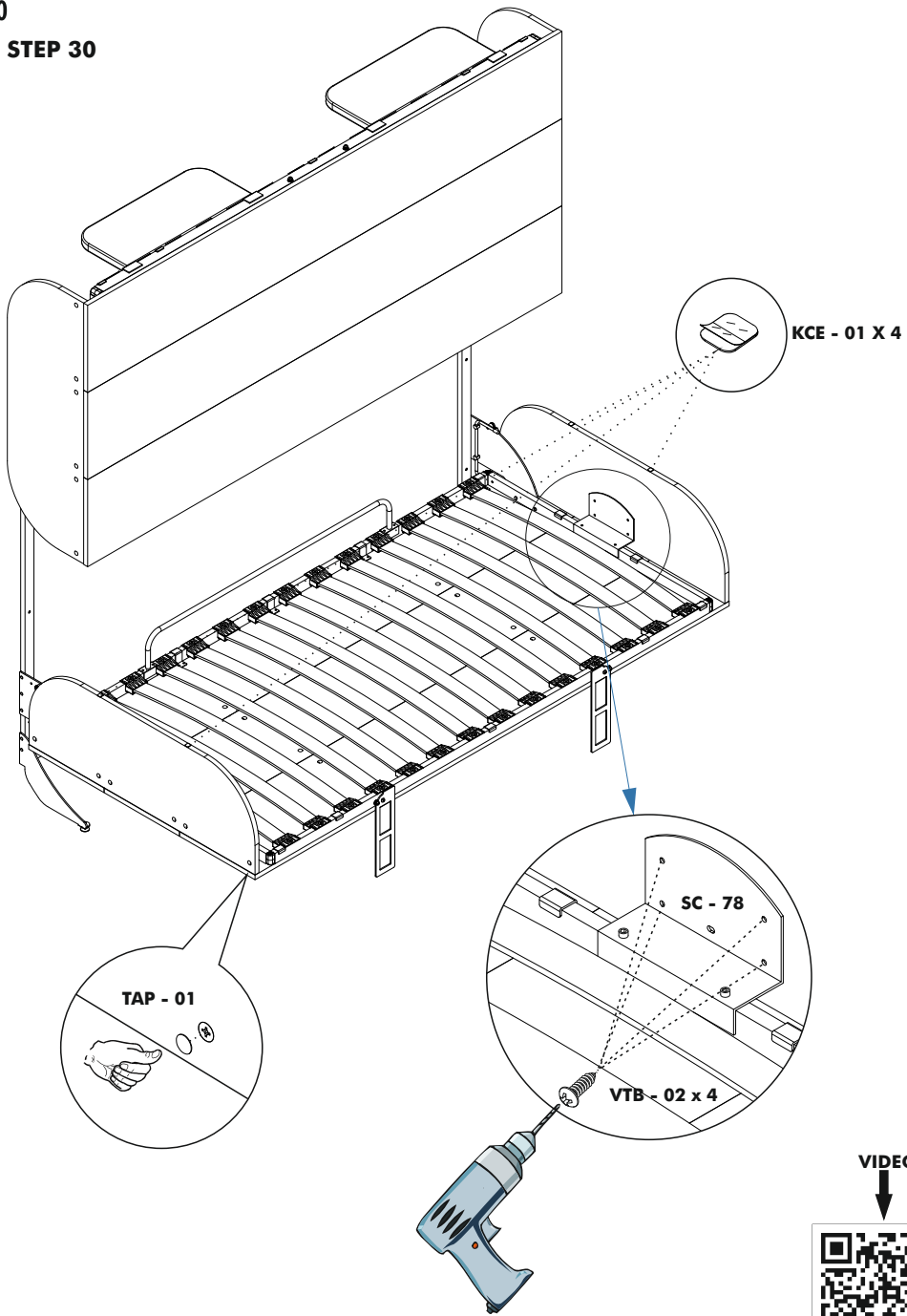


VIDEO



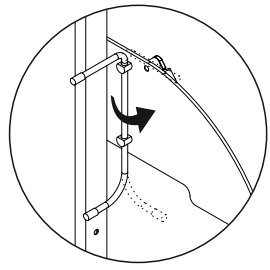
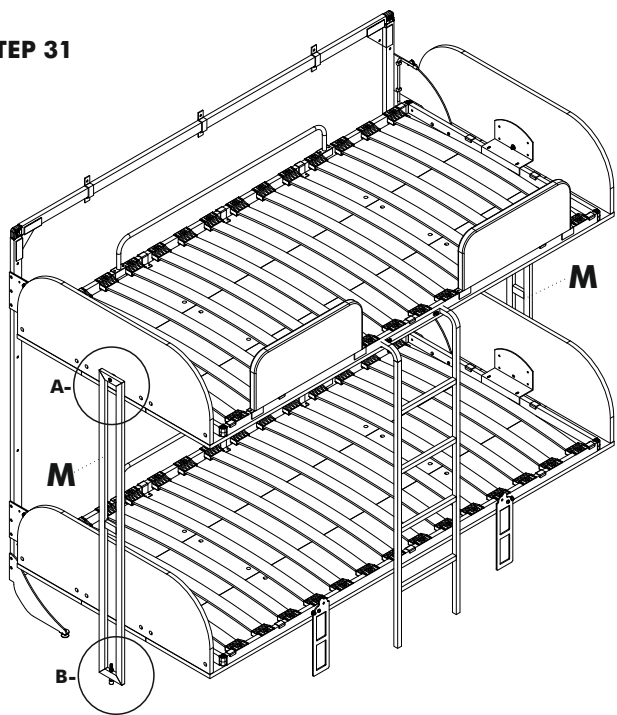
<https://youtu.be/zbYrxv71-OI>

STEP 30

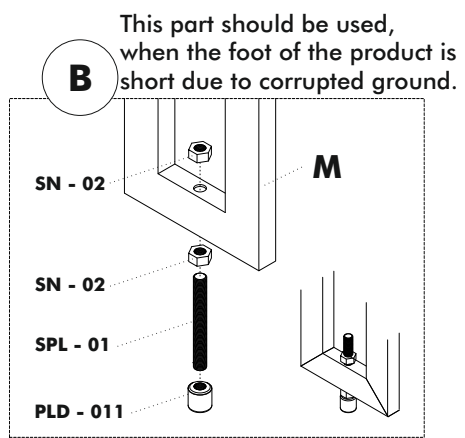
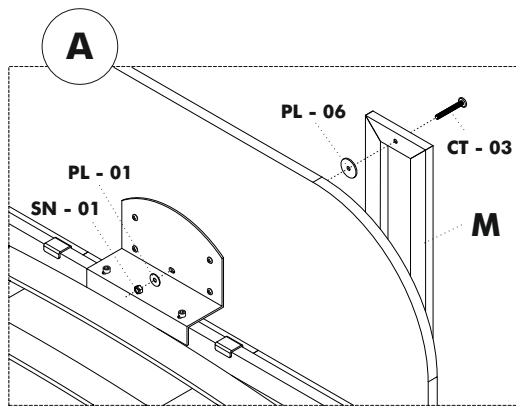
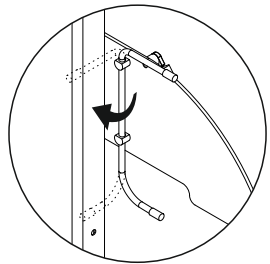


STEP 31

1. BED CLOSED



2. BED OPEN



Optional Legs:

Upper bed weight limit without optional legs - 165 lbs

Upper bed weight limit with optional legs - 200 lbs

Adding optional legs extends weight capacity of the upper bed and lessens tension of the wall connection points.

Optional legs are recommended to ensure strong and secure wall mounting of the bunk bed.

VIDEO



ATTENTION / HOW TO / READ ME / OWNER'S GUIDE

1. Most bunk beds must be securely attached to the wall, unless the bed is free standing. Please check the product description for this information. Hardware for mounting to concrete, brick or similar strong material is included.
2. When mounting to drywall, wall bunk beds must be attached to wooden or metal studs in 2 or 3 points. Do not mount wall bunk beds directly to drywall or paper-mache type wall without properly attaching it to studs. Please choose appropriate fasteners for the type of wall the bed will be mounted on. Drywall mounting hardware is not included.
3. For safety and product longevity you must periodically inspect the integrity and tightness of the mounting and mechanical connections. Confirm hardware remains properly affixed and connections are snug.
4. Do not lean or rest heavy objects on sides or top of furniture. This may cause balance issues and compromise the integrity of your mounting connections.
5. Please use wall bunk beds and integrated shelves, desks and sofas as intended. Do not jump and/or exceed supported weight limits. Do not sit or lean on integrated shelves and desks. Improper use may cause personal injury and damage to property.
 - Always use the provided ladder when accessing the top bunk.
 - Always use a ladder for additional support for the upper bunk when it is open.
 - Be slow, careful and aware of surroundings when opening the top bunk.
 - Do not horseplay. Beds are to be slept on only.
 - Make sure that support legs are fully extended and are flat on the floor. Always be aware of where the leg is and will be.
6. With seasonal humidity change please inspect the interior and exterior of the furniture for deformation and/or discoloration.
7. Before any un-mounting or disassembly please contact Multimo Beds for technical support and instructions Failure to properly detach may result in personal injury and damage to property.



WARNINGS

IMPORTANT! HAZARD WARNING!

All Wall Beds contain sophisticated and powerful lifting mechanism. Failure to follow assembly and installation instructions may result in **severe personal injury and damage of the product.**

SECURE RIGIDLY TO A WALL!

Improper attaching wall bed to a wall will create a tip-over hazard and may result in severe personal injury or even death.

ONLY qualified installers should install or remove a wall bed.



WARNINGS

To help prevent serious or fatal injuries due to entrapment or falls

- Never allow a child under 6 on upper bunk.
- Use only Twin/Twin XL size mattress on upper bunk.
- Ensure mattress thickness doesn't exceed 6", and that mattress surface at least 5" below upper edge of guard rails



WARRANTY

RETAIL RESIDENTIAL TERM

Lifetime guarantee on hardware.
5 year structural guarantee on cabinetry.

COMMERCIAL TERM

Lifetime guarantee on hardware.
2 year structural guarantee on cabinetry.



www.multimobeds.com