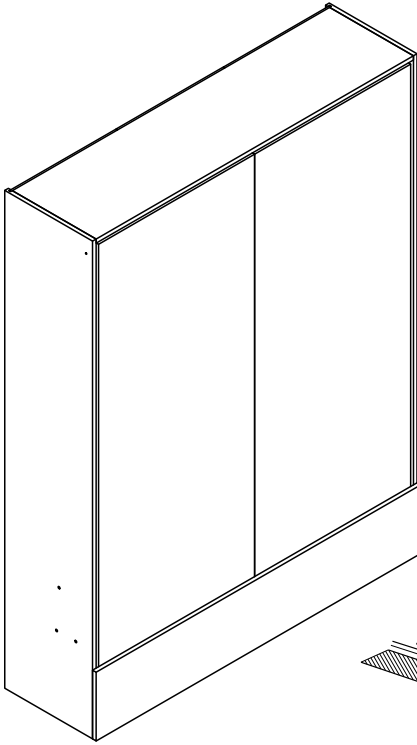




# MULTIMO

## A 560- LOFT BED QUEEN SIZE



**3** hours



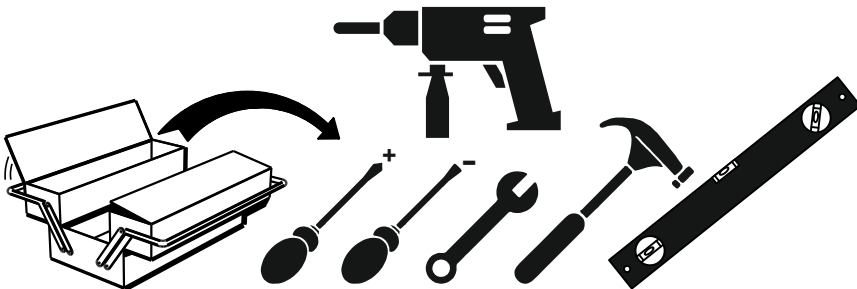
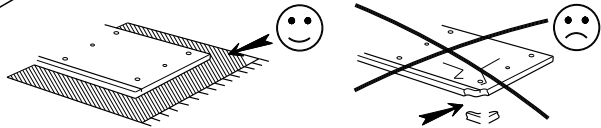
Technical Service



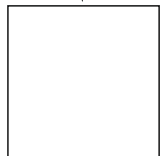
**5** hours



End User



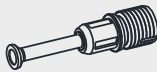
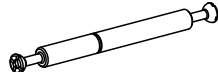


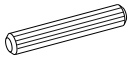
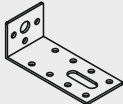
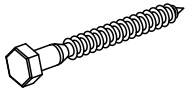


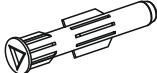
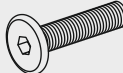




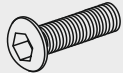
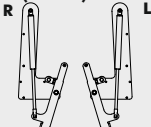
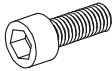

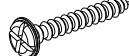
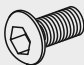
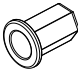


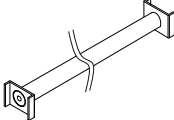

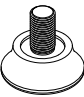
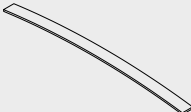

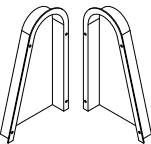
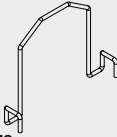
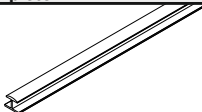



VIDEO

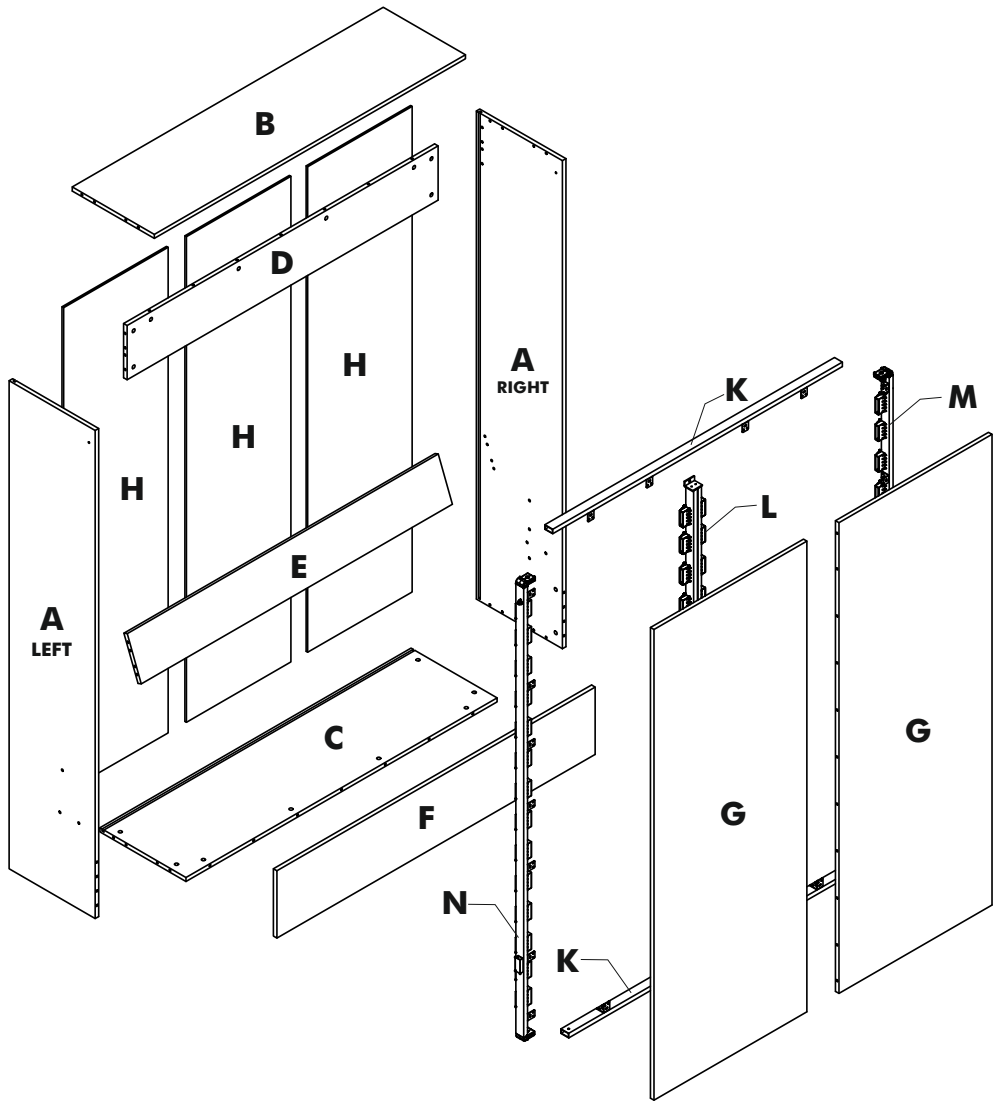


link

Track Title	Piece	(inch)			(mm)			
		Thickness	Length	Width	Piece	Thick	Height	Most
<b>A-R / A-L</b>	2	0,71	85,04	17,32	2	18	2160	440
<b>B</b>	1	0,71	62,60	16,54	1	18	1590	420
<b>C</b>	1	0,71	62,60	17,32	1	18	1590	440
<b>D</b>	1	0,71	62,60	9,45	1	18	1590	240
<b>E</b>	1	0,71	62,60	7,87	1	18	1590	200
<b>F</b>	1	0,71	64,02	11,73	1	18	1626	298
<b>G</b>	2	0,71	82,01	30,79	2	18	2083	782
<b>H</b>	3	0,31	84,61	21,02	3	8	2149	534

# Accessories List

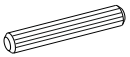
<p><b>MXN 02</b></p>  <p><b>28 / piece</b></p>	<p><b>MXN - 03</b></p>  <p><b>5 / piece</b></p>	<p><b>MNG - 01</b></p>  <p><b>38 / piece</b></p>	<p><b>TAP - 01</b></p>  <p><b>38 / piece</b></p>
<p><b>KVL 01</b></p>  <p><b>32 / piece</b></p>	<p><b>DSE - 01 (40x90x32) mm</b></p>  <p><b>3 / piece</b></p>	<p><b>TFC - 01(8x70) mm</b></p>  <p><b>3 / piece</b></p>	<p><b>PL - 02 (8x22x1) mm</b></p>  <p><b>3 / piece</b></p>
<p><b>VTB - 01 (4,8x16) mm</b></p>  <p><b>12 / piece</b></p>	<p><b>DD - 01 ( R10 )</b></p>  <p><b>3 / piece</b></p>	<p><b>CT - 08 ( 6x25 ) mm</b></p>  <p><b>4 / piece</b></p>	<p><b>OT-054</b></p>  <p><b>2 / piece</b></p>
<p><b>KP - 01 ( 224 ) mm</b></p>  <p><b>2 / piece</b></p>	<p><b>VKP - 01 (22) mm</b></p>  <p><b>4 / piece</b></p>	<p><b>AVT - 01</b></p>  <p><b>11 / piece</b></p>	<p><b>CTM - 02 ( 8x35 ) mm</b></p>  <p><b>2 / piece</b></p>
<p><b>MKZ - 03-2 (1200N)</b></p>  <p><b>1 / piece</b></p>	<p><b>IM - 02 (6x20) mm</b></p>  <p><b>8 / piece</b></p>	<p><b>YSB - 01 ( 3,9x16 ) mm</b></p>  <p><b>2 / piece</b></p>	<p><b>VD - 02 (3,5x25) mm</b></p>  <p><b>17 / piece</b></p>
<p><b>CTM - 01 ( 6x10 ) mm</b></p>  <p><b>4 / piece</b></p>	<p><b>SKT - 01</b></p>  <p><b>4 / piece</b></p>	<p><b>PLD-09</b></p>  <p><b>2 / piece</b></p>	<p><b>SN - 02 ( M8 )</b></p>  <p><b>2 / piece</b></p>
<p><b>SB-Ø19</b></p>  <p><b>1 / piece</b></p>	<p><b>SC-122 (R/L)</b></p>  <p><b>1 / piece</b></p>	<p><b>BAK - 01</b></p>  <p><b>2 / piece</b></p>	<p><b>LTA - 01</b></p>  <p><b>28 / piece</b></p>
<p><b>VTB - 02 (4,2x16) mm</b></p>  <p><b>68 / piece</b></p>	<p><b>KMT-01</b></p>  <p><b>1 / piece</b></p>	<p><b>TTC 01</b></p>  <p><b>4 / piece</b></p>	<p><b>H 01</b></p>  <p><b>2 / piece</b></p>
<p><b>KKS - 01</b></p>  <p><b>2 / piece</b></p>	<p><b>AL - 01 (4MM)</b></p>  <p><b>1 / piece</b></p>	<p><b>AL - 02 (5MM)</b></p>  <p><b>1 / piece</b></p>	



**STEP 1**

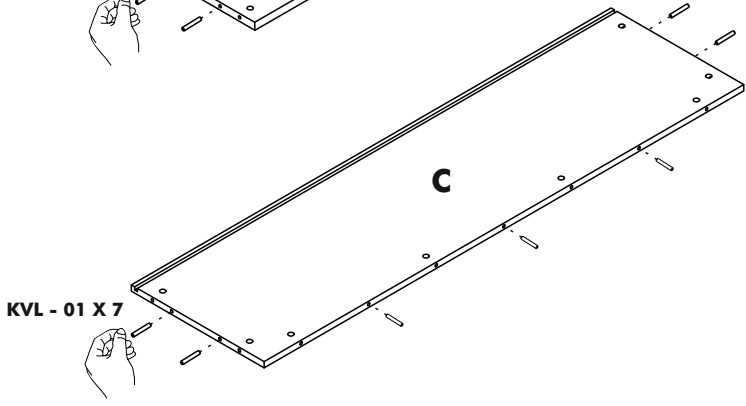
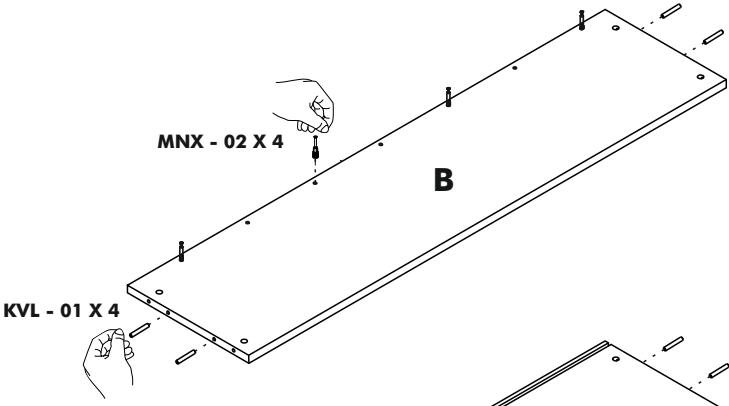
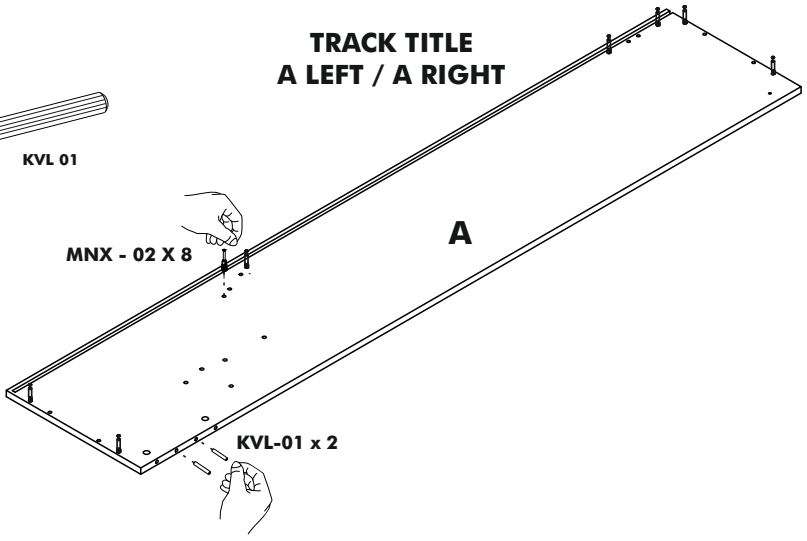


**MNX - 02**

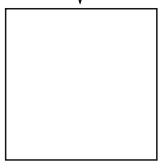


**KVL 01**

**TRACK TITLE  
A LEFT / A RIGHT**

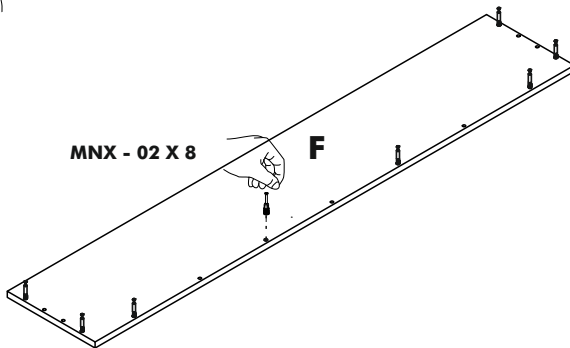
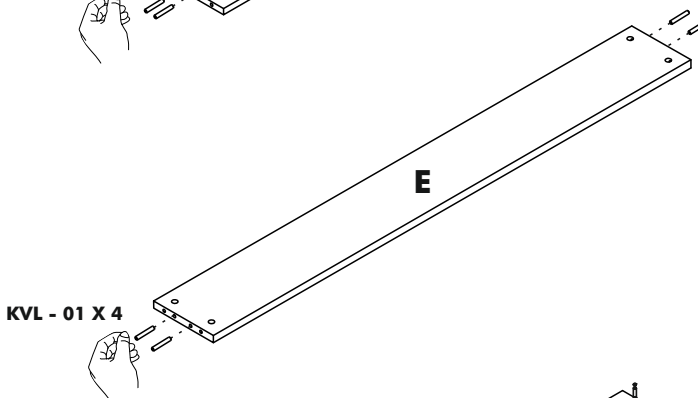
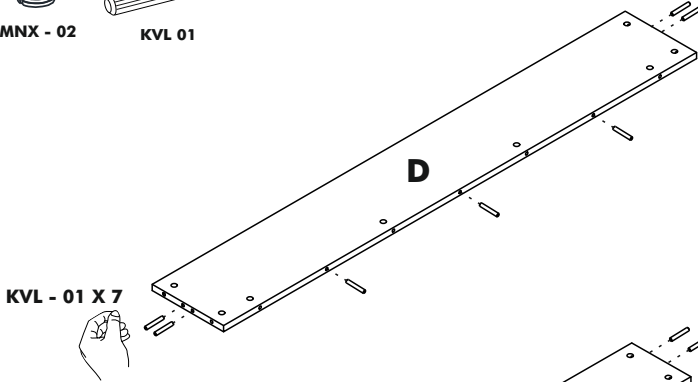
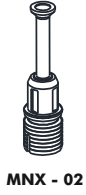


**VIDEO**

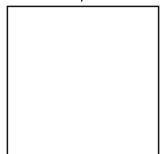


link

**STEP 2**

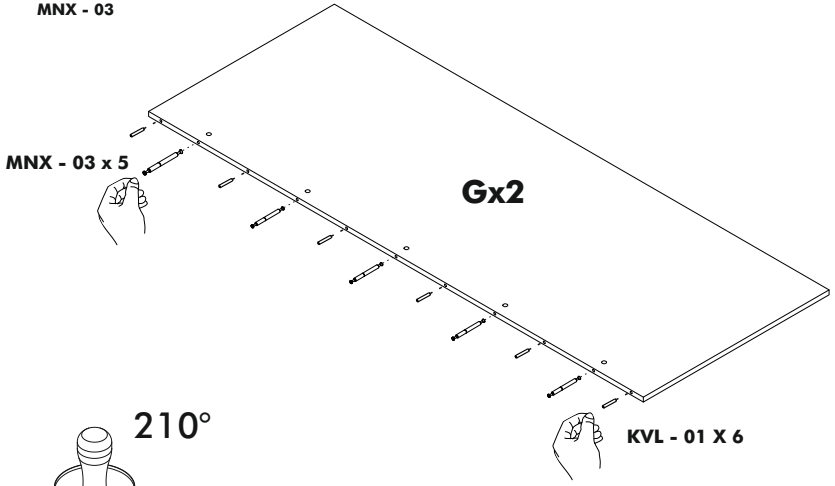
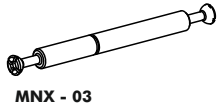
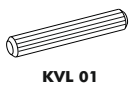


**VIDEO**

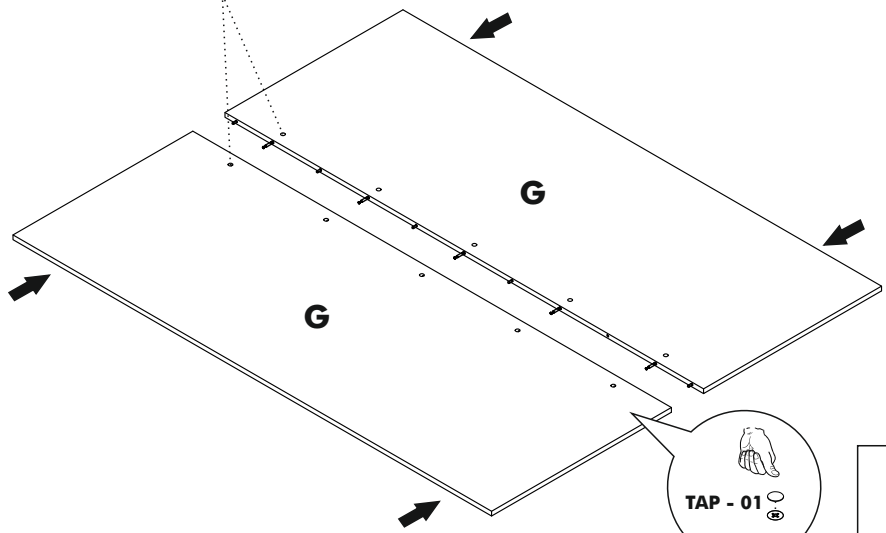
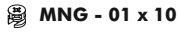
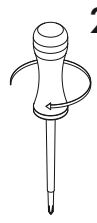


link

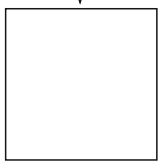
**STEP 3**



**STEP 4**



**VIDEO**

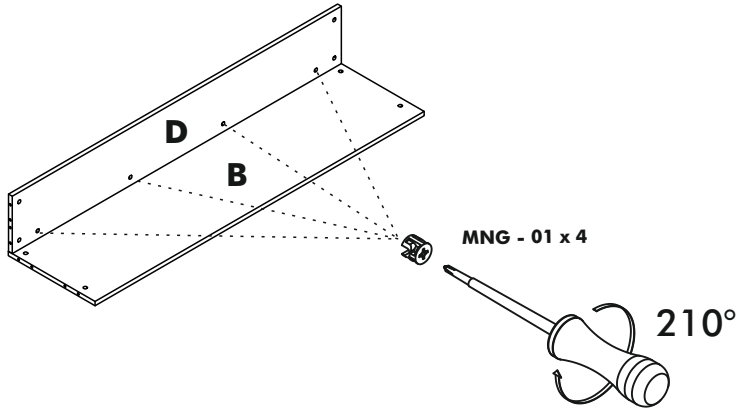


link

**STEP 5**



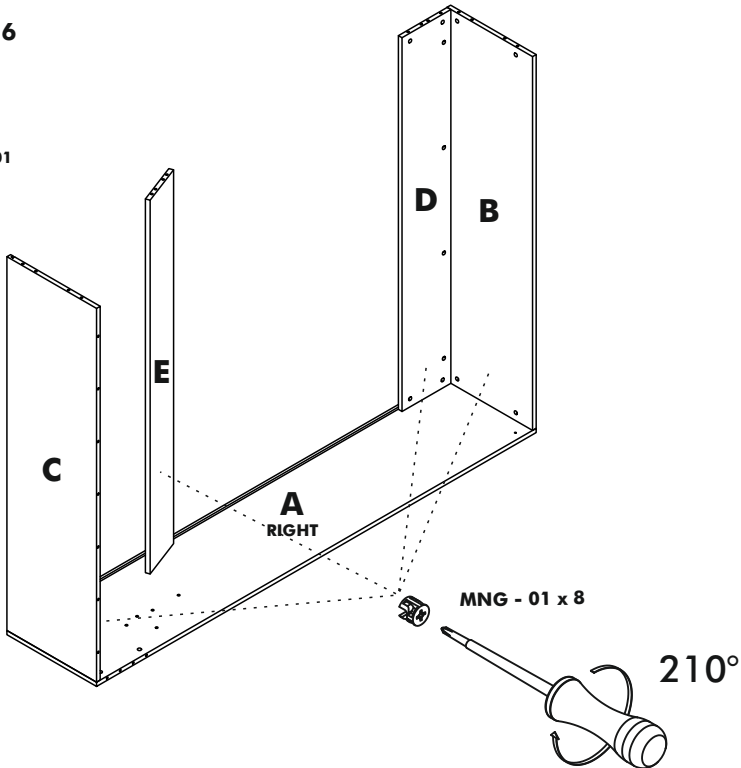
MNG - 01



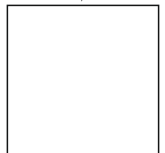
**STEP 6**



MNG - 01



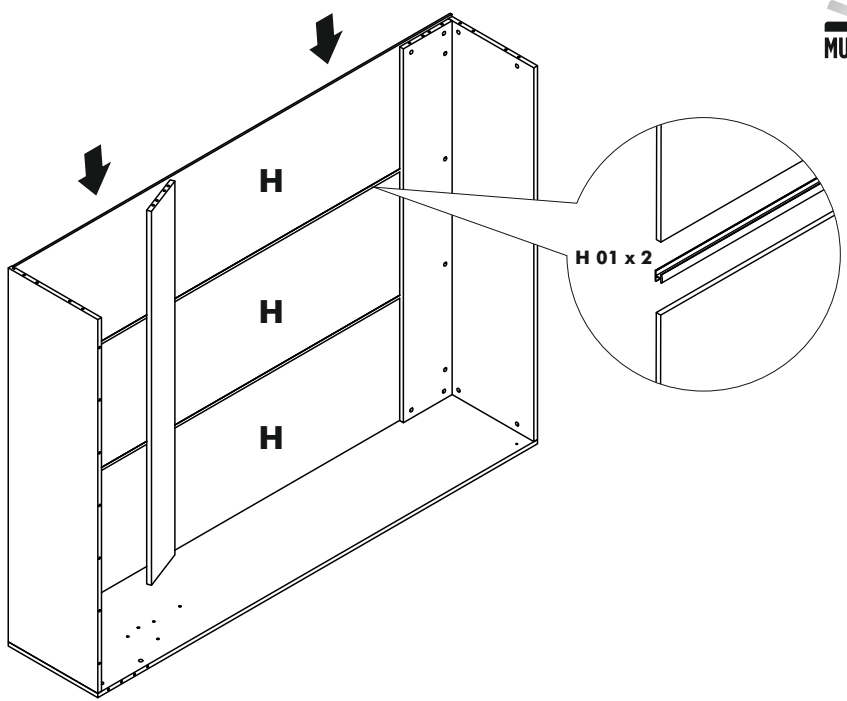
VIDEO



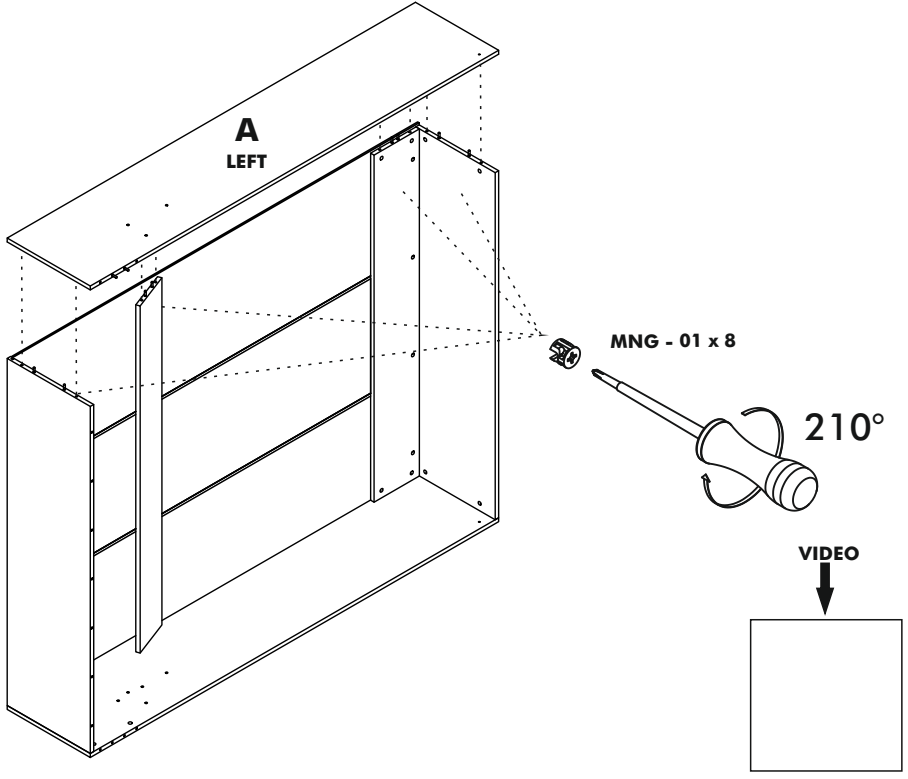
link



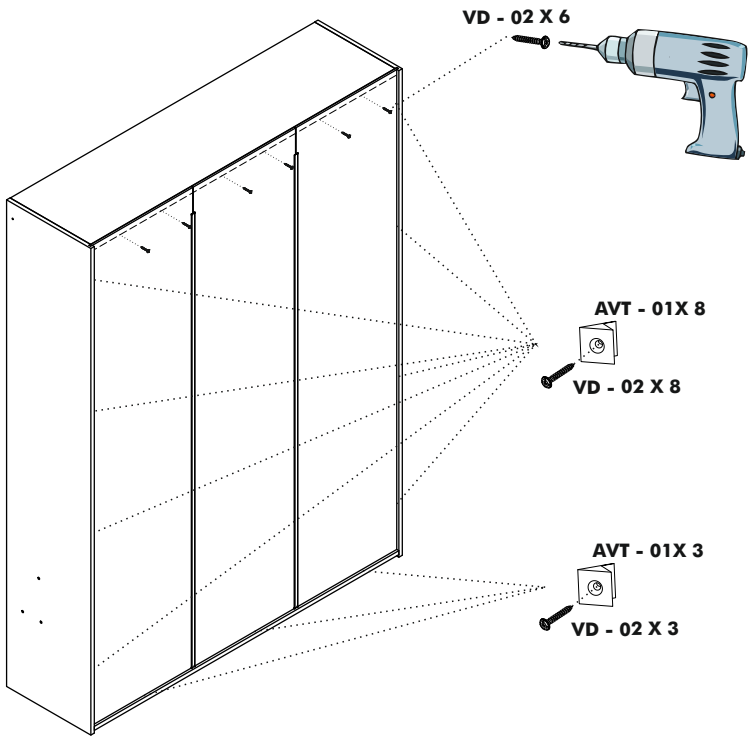
**STEP 7**



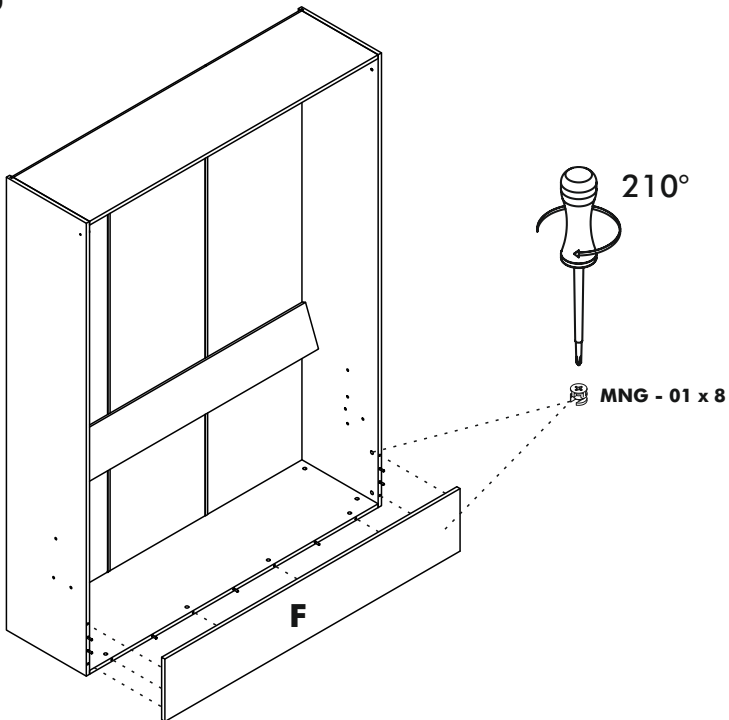
**STEP 8**



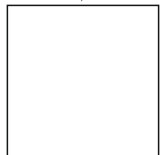
**STEP 9**



**STEP 10**



**VIDEO**

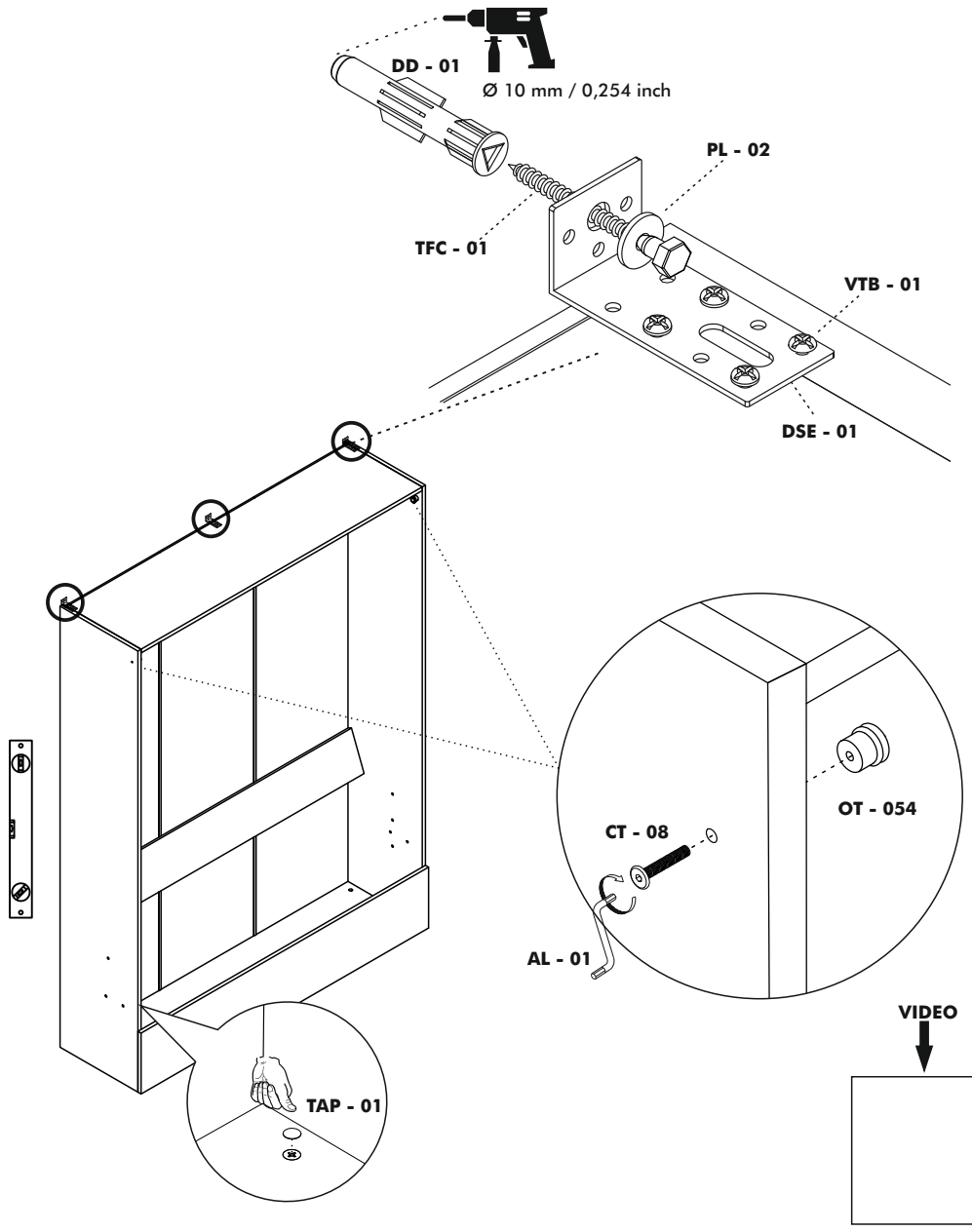


link

**! ATTENTION!!!**

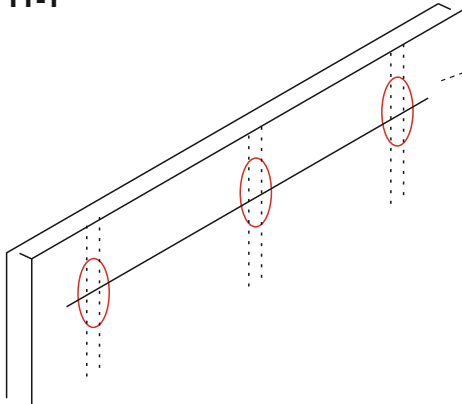
**STEP 11**

Must be secured to the wall made of brick, concrete or similarly strong material.  
Mounting to wooden or metal studs is also acceptable.  
Do not mount directly to sheetrock or paper-mache type walls not supported by studs.



# WALLS MADE OF DRYWALL WITH WOODEN OR METAL STUDS

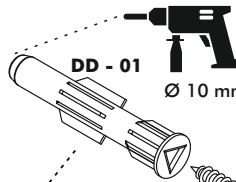
## STEP 11-1



Ø 10 mm / 0,254 inc

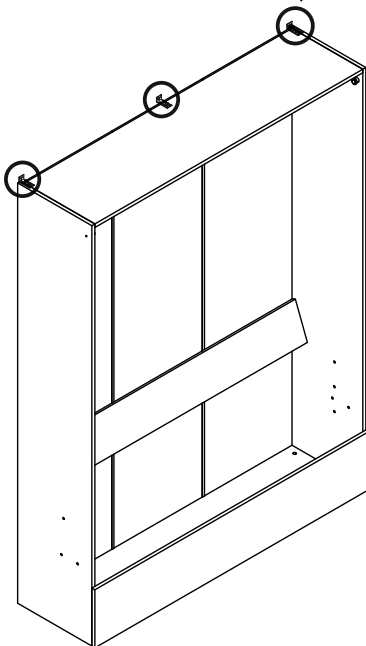


FIRST LOCATE THE STUDS BY USING "STUD FINDER" IN THE WALL AND DRILL IT ACCORDING TO THE HEIGHT MEASUREMENTS GIVEN ON THE SIDE. UPPER HOLES SHOULD BE DRILLED FOR ATTACHING BED AT NEXT STEP.

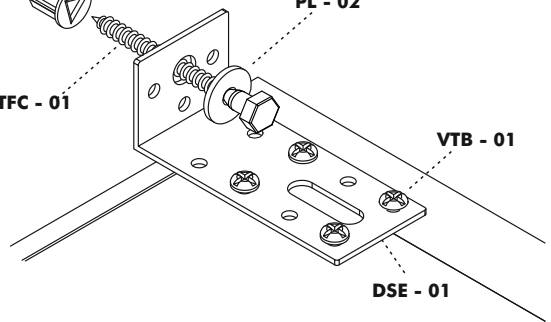


DD - 01

Ø 10 mm / 0,254 inch



TFC - 01



PL - 02

VTB - 01

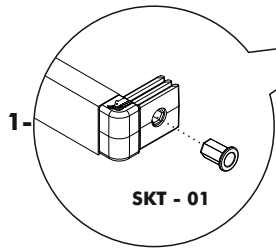
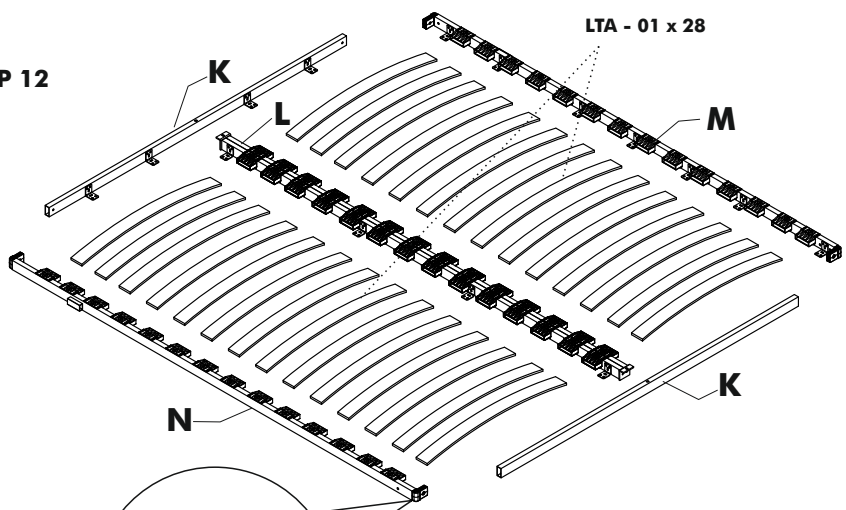
DSE - 01

### NOT INCLUDED

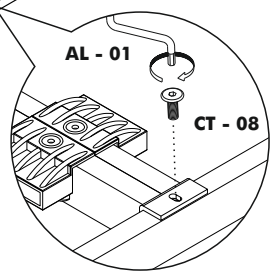
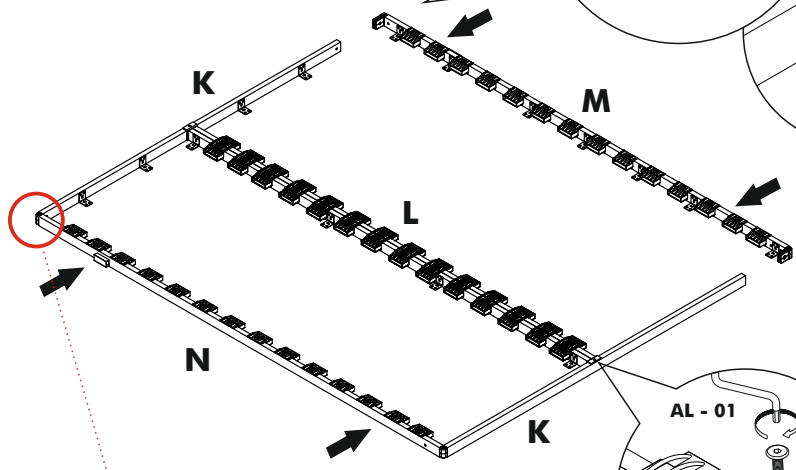
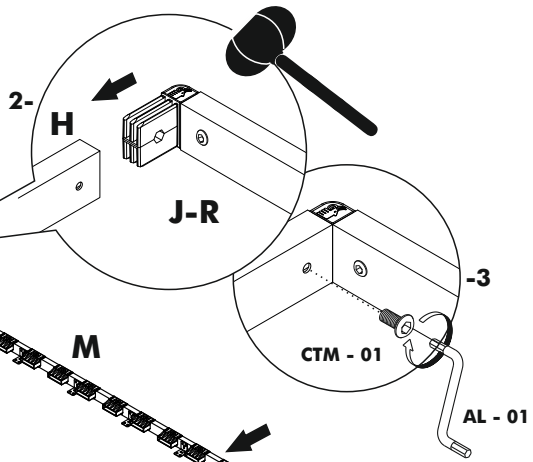
SUPPLY DRYWALL FASTENERS APPROPRIATE TO YOUR WALL TYPE. WE RECOMMEND USING STEEL TOGGLE BOLT ANCHOR THAT SHOWN BELOW



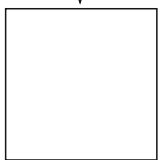
**STEP 12**



**STEP 13**

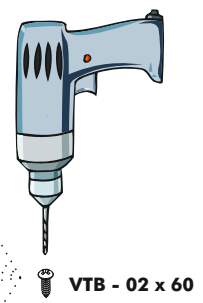
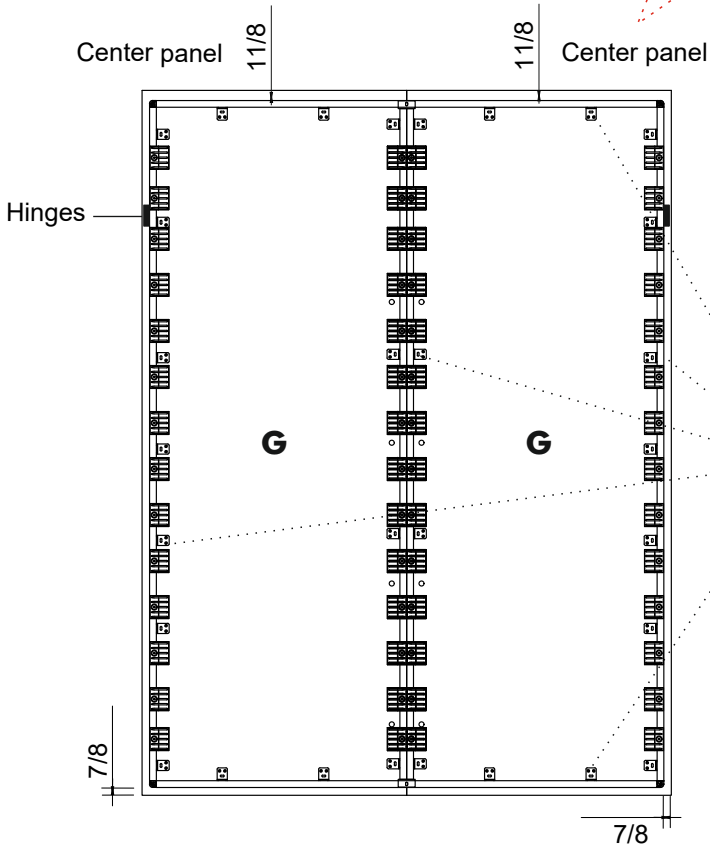
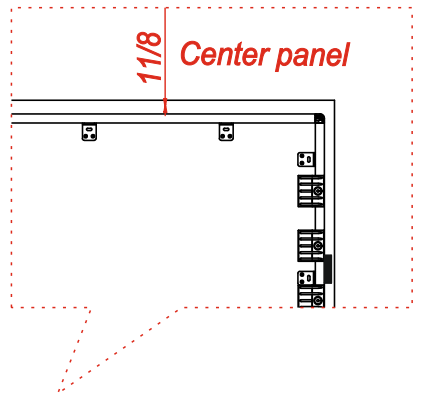


**VIDEO**

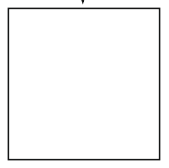


**Install plastic corners and metal joints without gaps**

**STEP 14**



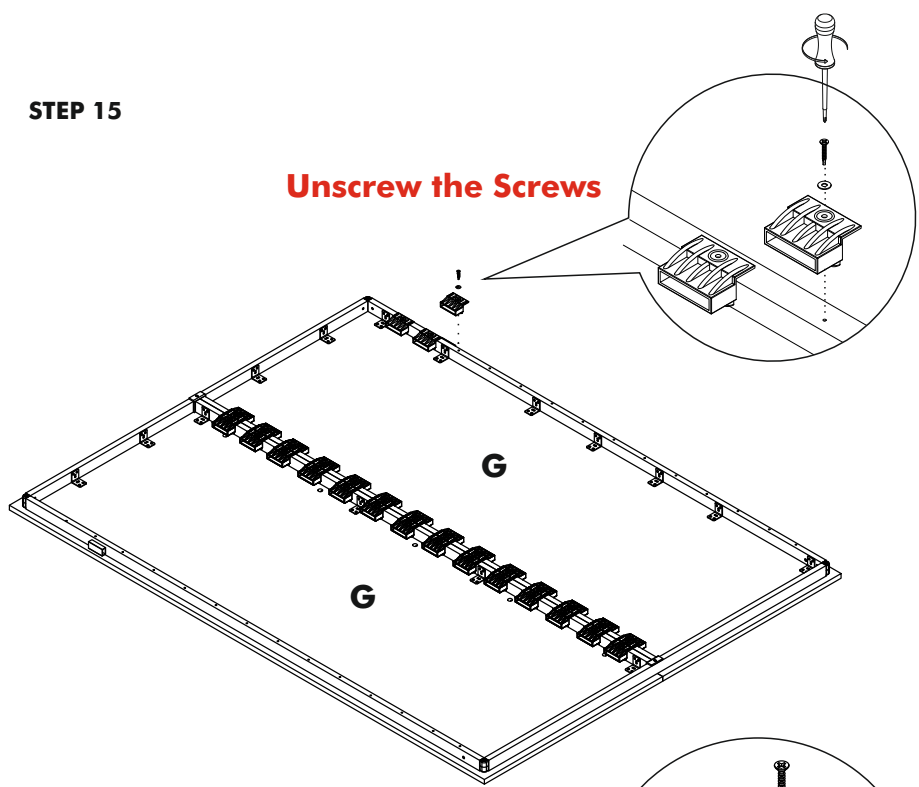
**VIDEO**



link

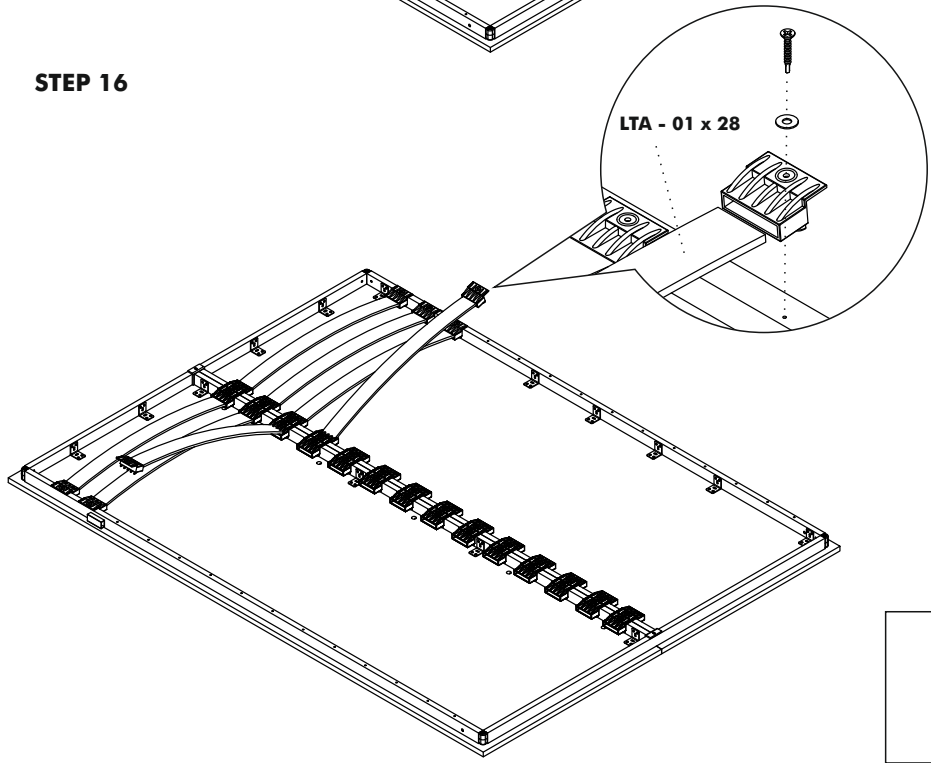
**STEP 15**

**Unscrew the Screws**

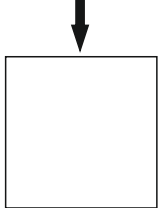


**STEP 16**

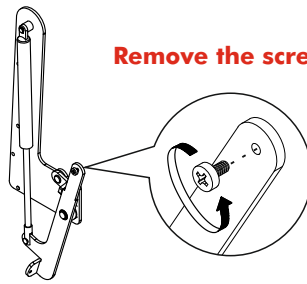
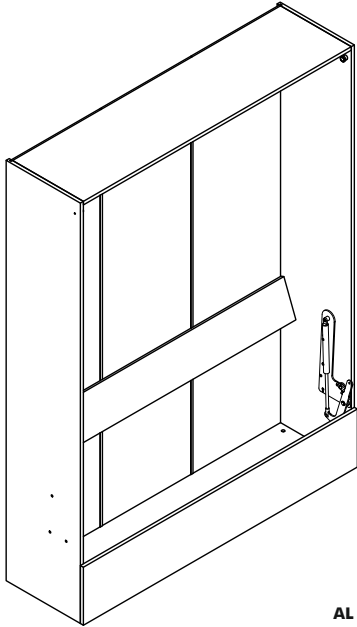
**LTA - 01 x 28**



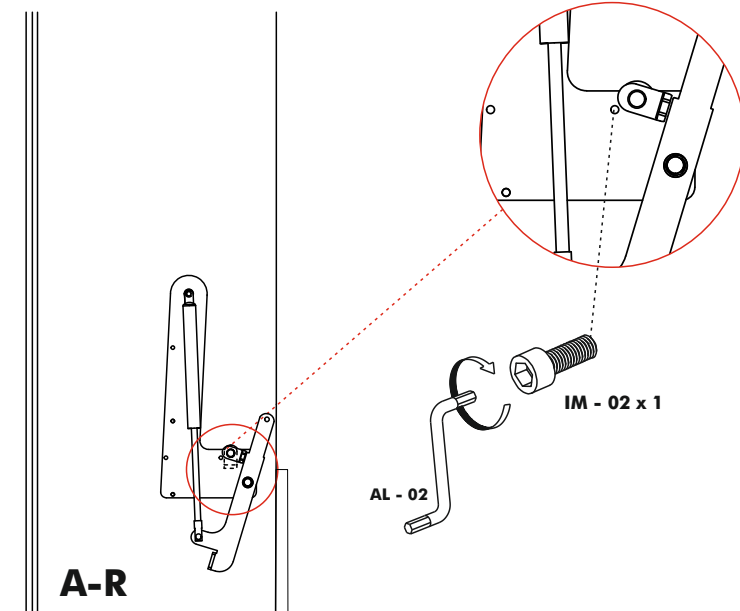
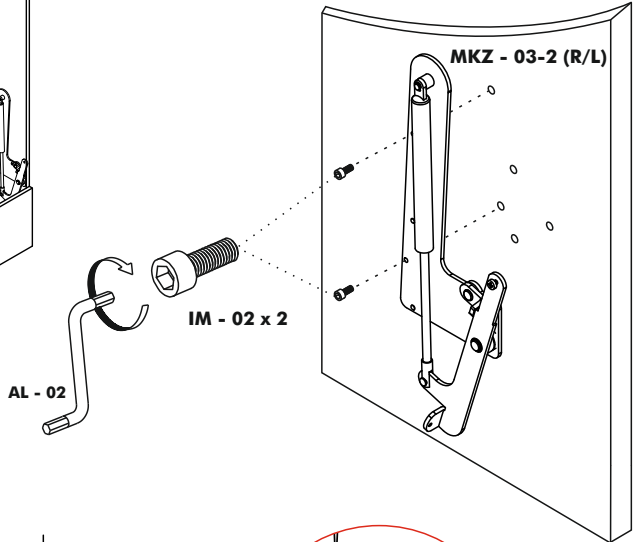
**VIDEO**



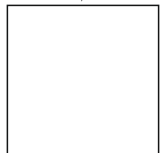
**STEP 17**



**CAUTION**  
**DO NOT UNLOCK BEFORE INSTALL**



**VIDEO**

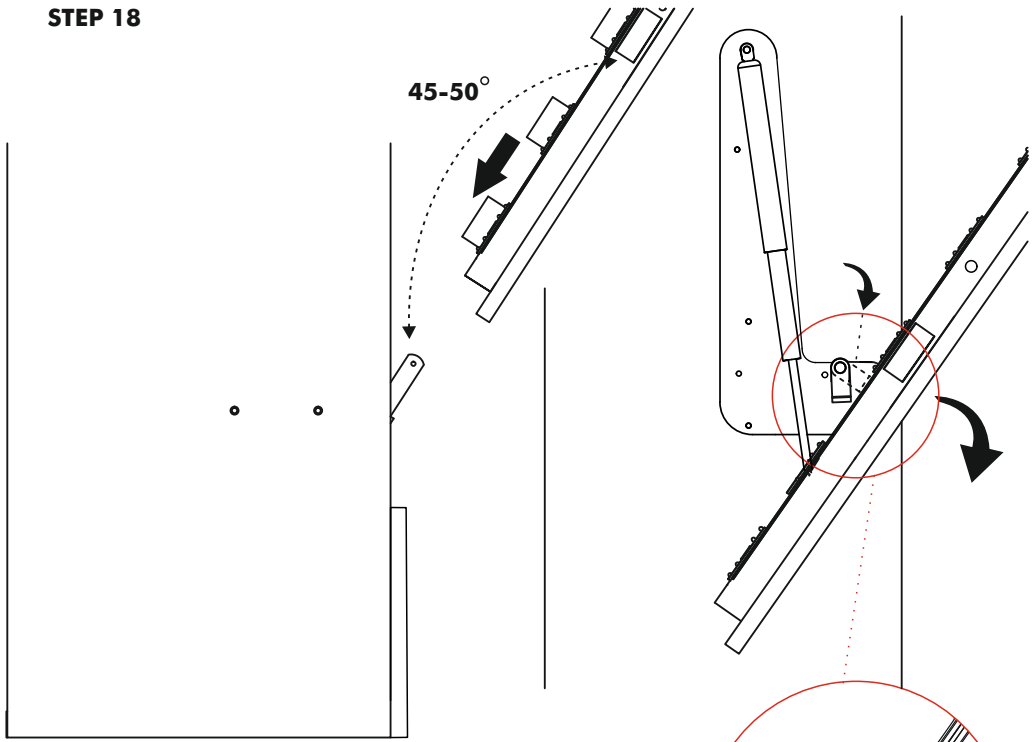


link

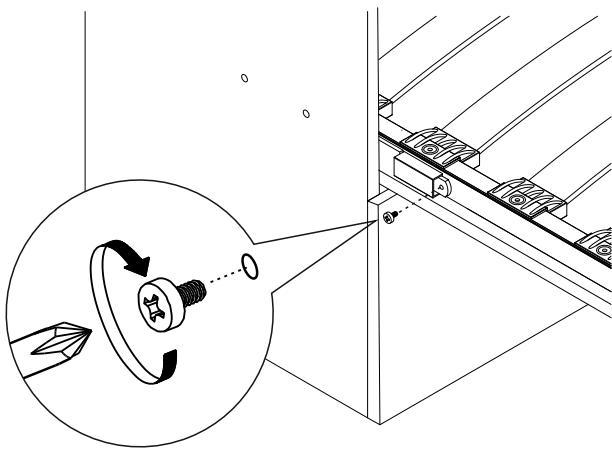
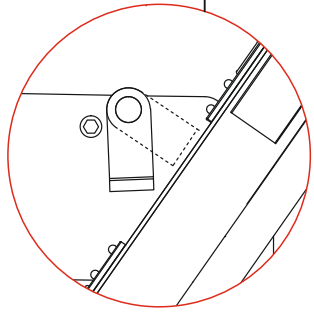


**STEP 18**

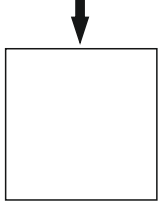
45-50°



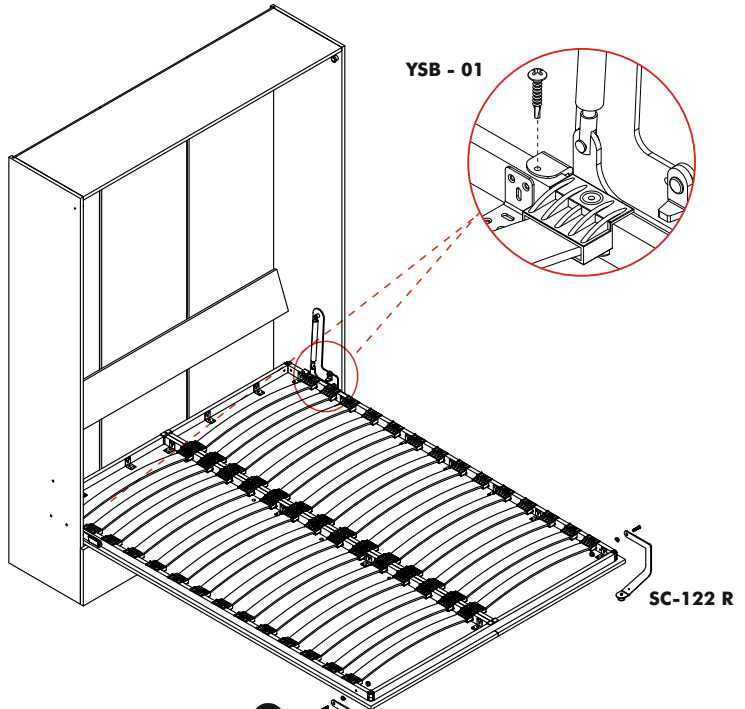
**LET THE STOPPER LOCK MOVE DOWN !!!**



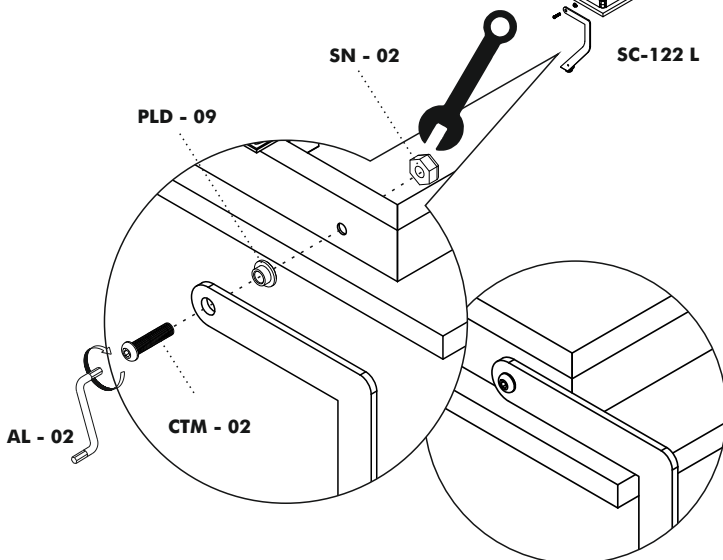
**VIDEO**



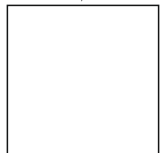
**STEP 19**



**STEP 20**

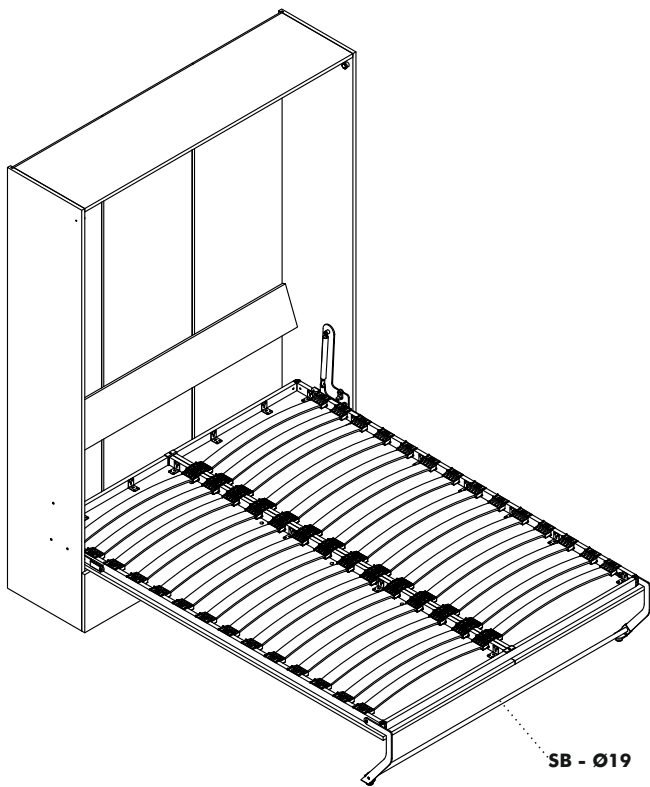


**VIDEO**

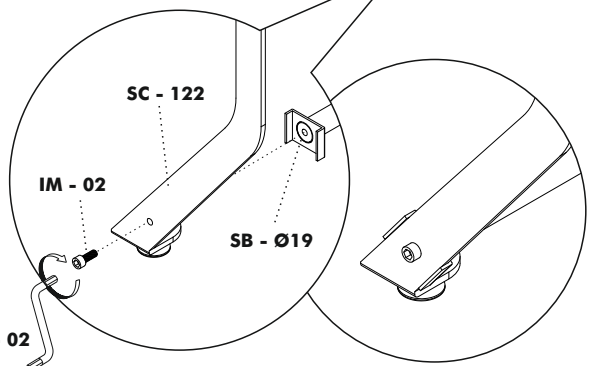


link

**STEP 21**



**SB - Ø19**



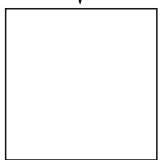
**SC - 122**

**IM - 02**

**SB - Ø19**

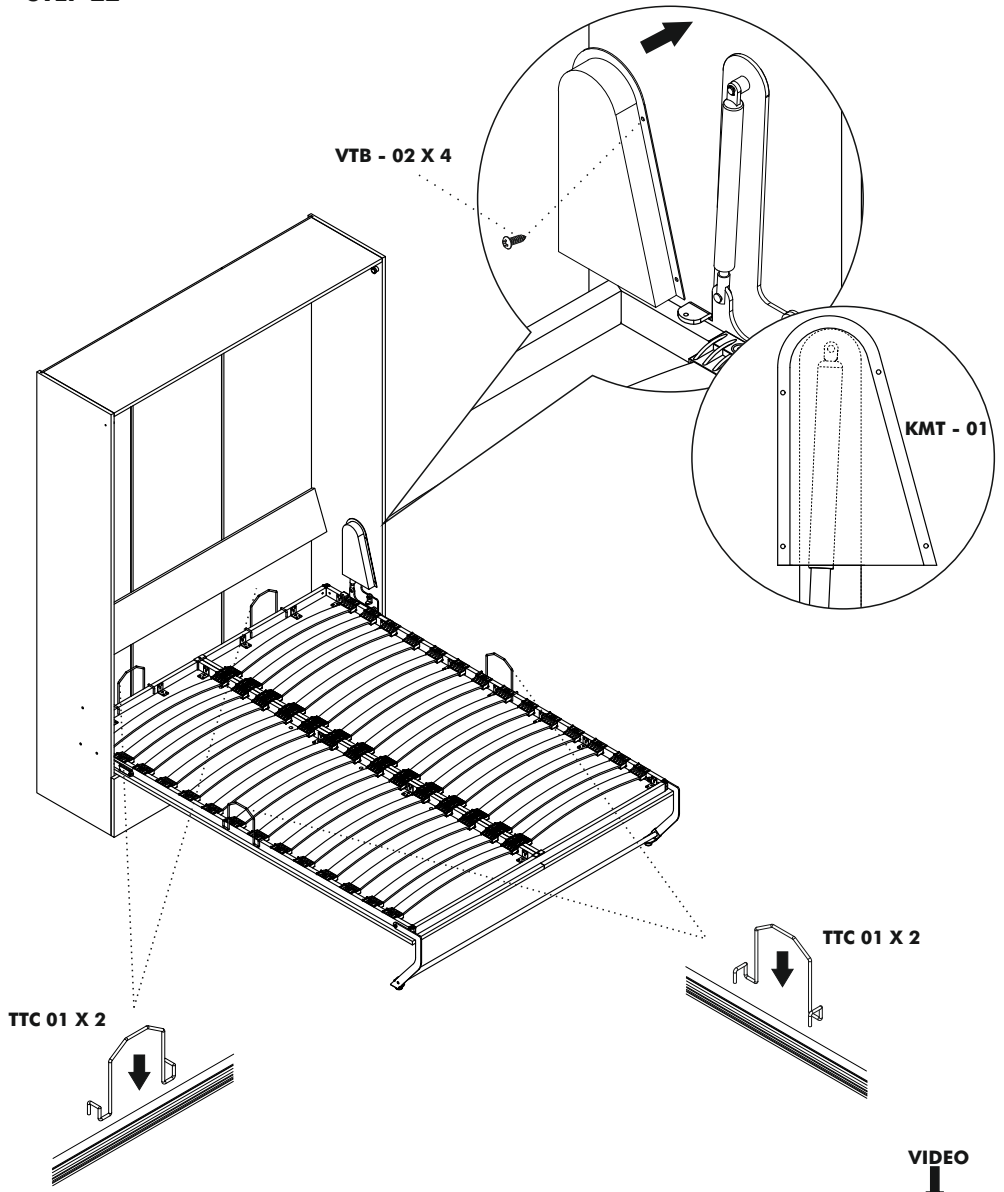
**AL - 02**

**VIDEO**

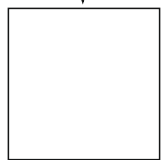


link

STEP 22

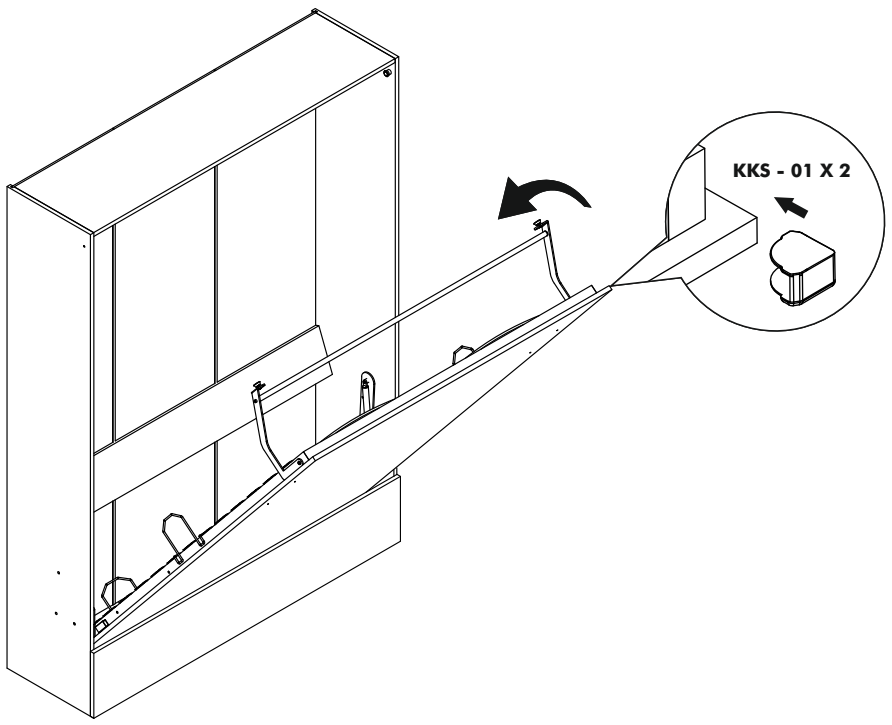


VIDEO

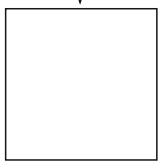


link

**STEP 23**



**VIDEO**

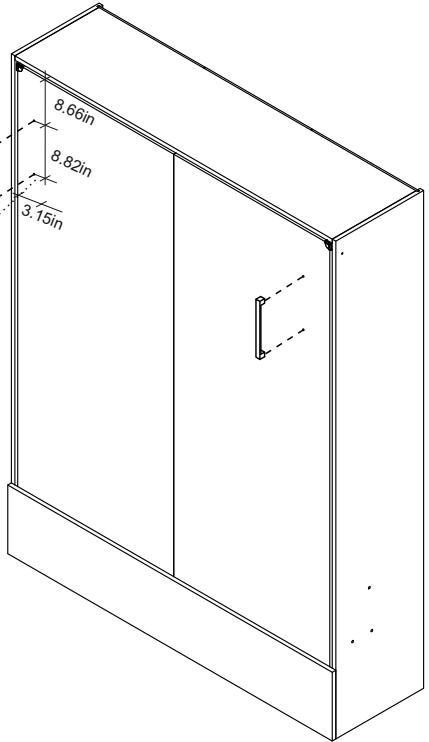


link

**STEP 24**

HANDLE MOUNTING  
OPTION A

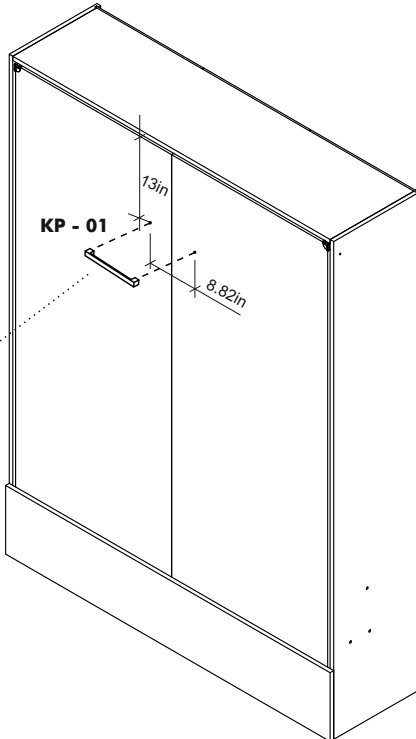
**KP - 01**



**VKP - 01**

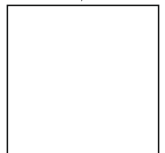
HANDLE MOUNTING  
OPTION B

**KP - 01**



**VKP - 01**

**VIDEO**



link

ATTENTION / HOW TO / READ ME / OWNER'S GUIDE

1. Wall beds must be securely attached to the wall. Hardware for mounting to concrete, brick or similar strong material is included.
2. When mounting to drywall, wall beds must be attached to wooden or metal studs in 2 or 3 points. Do not mount wall beds directly to drywall or paper-mache type wall without properly attaching it to studs. Please choose appropriate fasteners for the type of wall the bed will be mounted on. Drywall mounting hardware is not included.
3. For safety and product longevity you must periodically inspect the integrity and tightness of the mounting and mechanical connections. Confirm hardware remains properly affixed and connections are snug.
4. Do not lean or rest heavy objects on sides or top of furniture. This may cause balance issues and compromise the integrity of your mounting connections.
5. Please use wall beds and integrated shelves, desks and sofas as intended. Do not jump and/or exceed supported weight limits. Do not sit or lean on integrated shelves and desks. Improper use may cause personal injury and damage to property.
6. With seasonal humidity change please inspect the interior and exterior of the furniture for deformation and/or discoloration.
7. Before any un-mounting or disassembly please contact Multimo Beds for technical support and instructions. Failure to properly detach may result in personal injury and damage to property.



**WARNINGS**

**IMPORTANT! HAZARD WARNING!**

All Wall Beds contain sophisticated and powerful lifting mechanism. Failure to follow assembly and installation instructions may result in **severe personal injury and damage of the product.**

**SECURE RIGIDLY TO A WALL!**

Improper attaching wall bed to a wall will create a tip-over hazard and may result in severe personal injury or even death. **ONLY qualified installers should install or remove a wall bed.**



**WARRANTY**

**RETAIL RESIDENTIAL TERM**

Lifetime guarantee on hardware.  
**5 year** structural guarantee on cabinetry.

**COMMERCIAL TERM**

Lifetime guarantee on hardware.  
**2 year** structural guarantee on cabinetry.



[www.multimobeds.com](http://www.multimobeds.com)