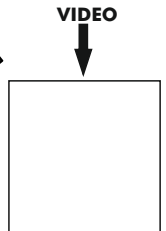
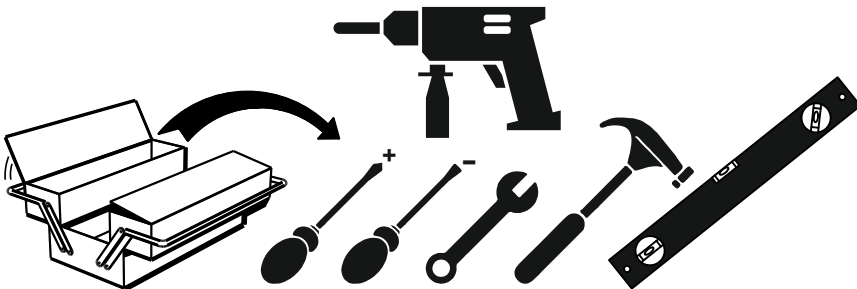
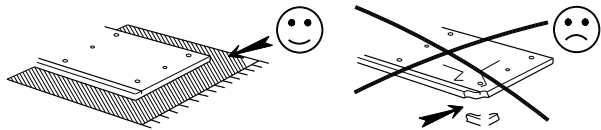
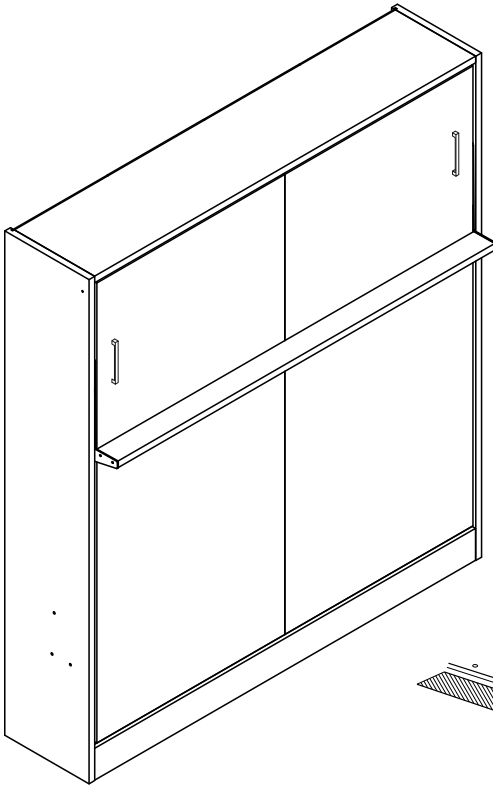




MULTIMO

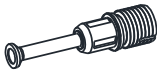


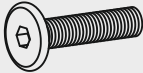
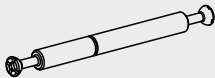
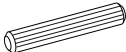
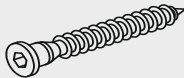
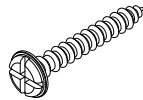

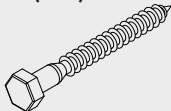
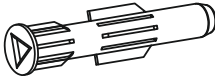

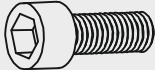
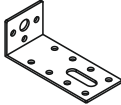


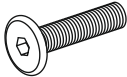

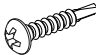
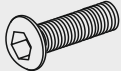

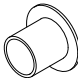

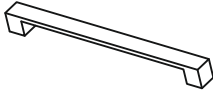
A 513-ROYAL KING WALL BED

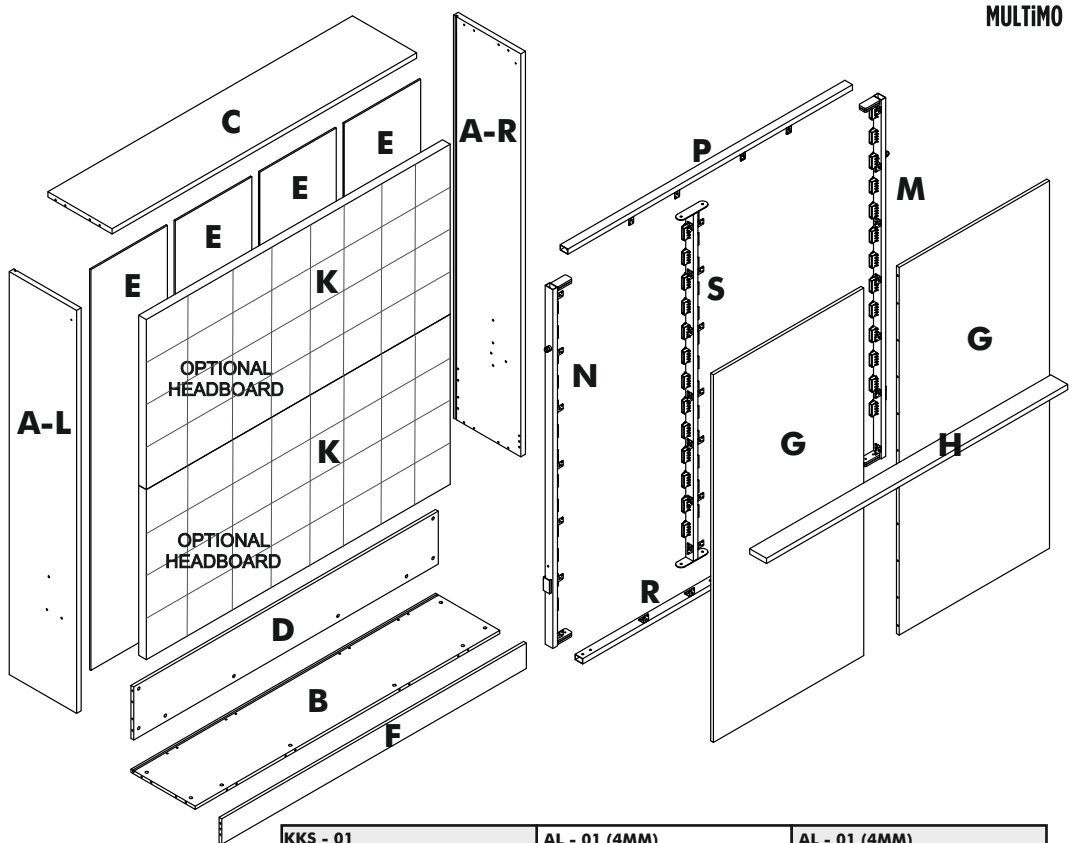





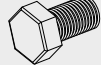

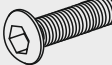

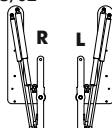

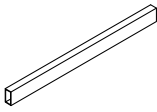


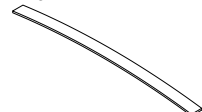

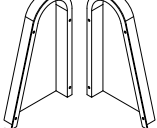
link

Track Title	Piece	(inch)			(mm)			
		Thickness	Length	Width	Piece	Thick	Height	Most
A-R / A-L	2	1,18	89,76	17,32	2	30	2280	440
B	1	0,71	78,35	16,54	1	18	1990	420
C	1	1,18	78,35	16,50	1	30	1990	419
D	1	0,71	78,35	11,81	1	18	1990	300
E	4	0,31	89,25	19,69	4	8	2267	500
F	1	0,71	78,35	5,67	1	18	1990	144
G	2	0,71	81,89	38,66	2	18	2080	982
H	1	1,18	77,48	4,33	1	30	1968	110
K (OPTIONAL HEADBOARD)	2	1,97	37,87	78,15	2	50	962	1985

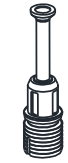
Accessories List

MNX 02  24 / piece	MNG - 01  34 / piece	OT-054  2 / piece	CT - 01 (6x40) mm  2 / piece
MNX - 03  5 / piece	KVL 01  28 / piece	VDA - 01 (6,5x50) mm  4 / piece	VD - 02 (3,5x25) mm  40 / piece
PL - 02 (8x22x1) mm  3 / piece	TFC - 01(8x70) mm  3 / piece	DD - 01 (R10)  3 / piece	VTB - 01 (4,8x16) mm  12 / piece
IM - 01 (6x30) mm  4 / piece	DSE - 01 (40x90x32) mm  3 / piece	TAP - 01  34 / piece	TAP - 02  4 / piece
CT - 02 (6x30) mm  2 / piece	VKP - 01 (22) mm  4 / piece	YSB - 01 (3,9x16) mm  2 / piece	CTM - 02 (8x35) mm  2 / piece
SG - 01  2 / piece	OT-056D  2 / piece	AVT - 01  6 / piece	KP - 01 (224) mm  2 / piece

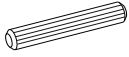


	KKS - 01  2 / piece	AL - 01 (4MM)  1 / piece	AL - 01 (4MM)  1 / piece
CTA - 01 (8x15) mm  12 / piece	PL - 05 (8x16x2) mm  14 / piece	CTM - 05 (8x45) mm  2 / piece	OT-056PE  2 / piece
MKZ - 05/02  1 / piece	SC - 92  2 / piece	PRF  1 / piece	H 01  2 / piece
KOR  1 / piece	LTA - 01  26 / piece	VTB - 02 (4,2x16) mm  80 / piece	KMT-01  1 / piece

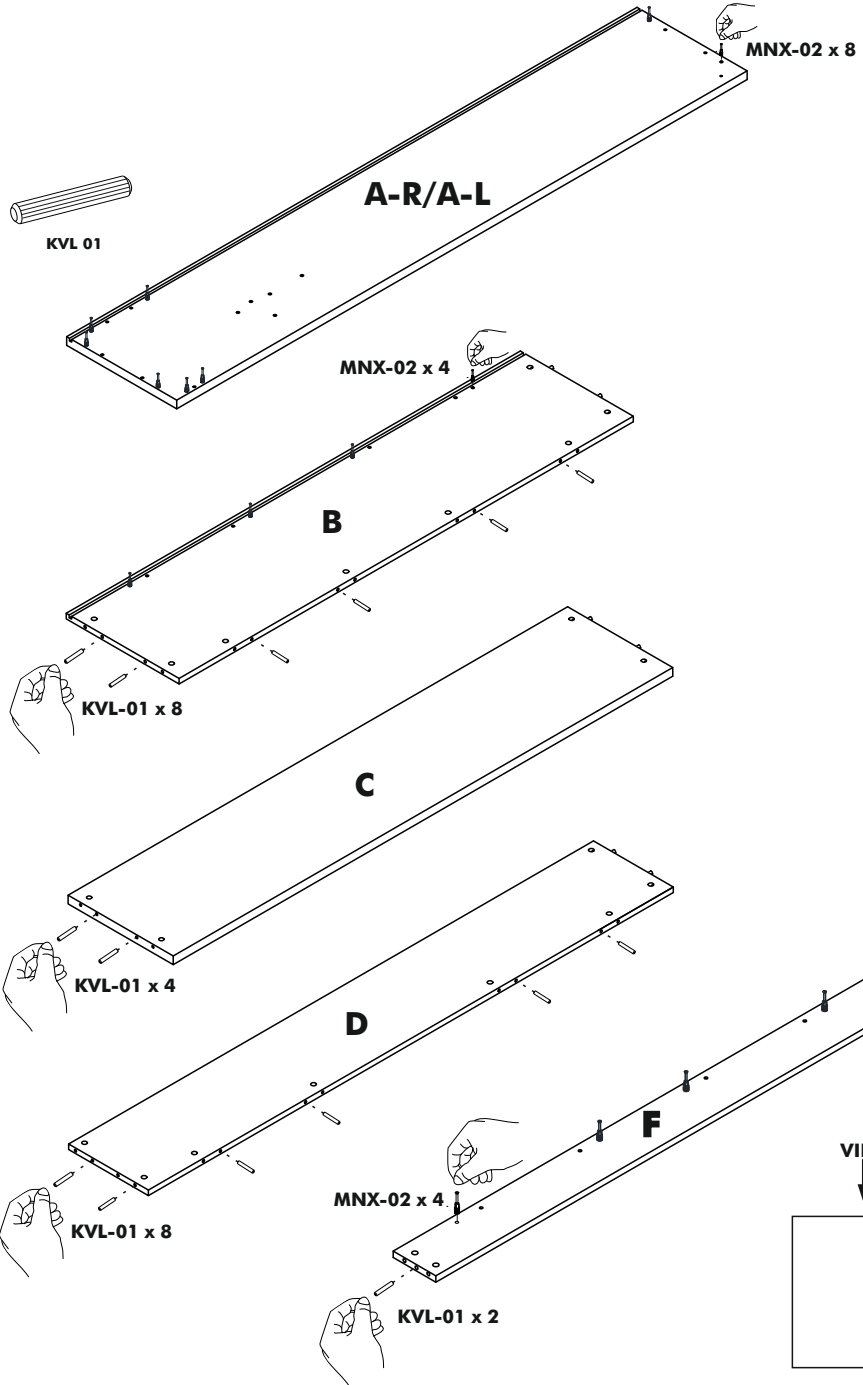
STEP 1



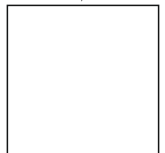
MNX - 02



KVL 01



VIDEO

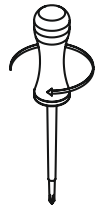


link

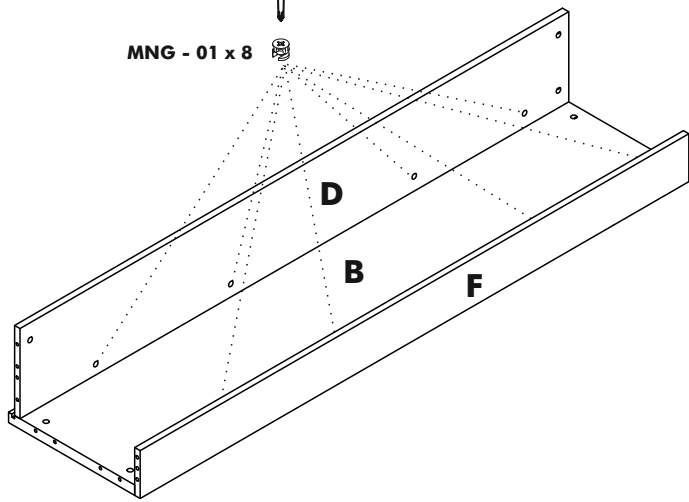
STEP 2



210°



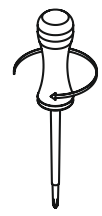
MNG - 01 x 8



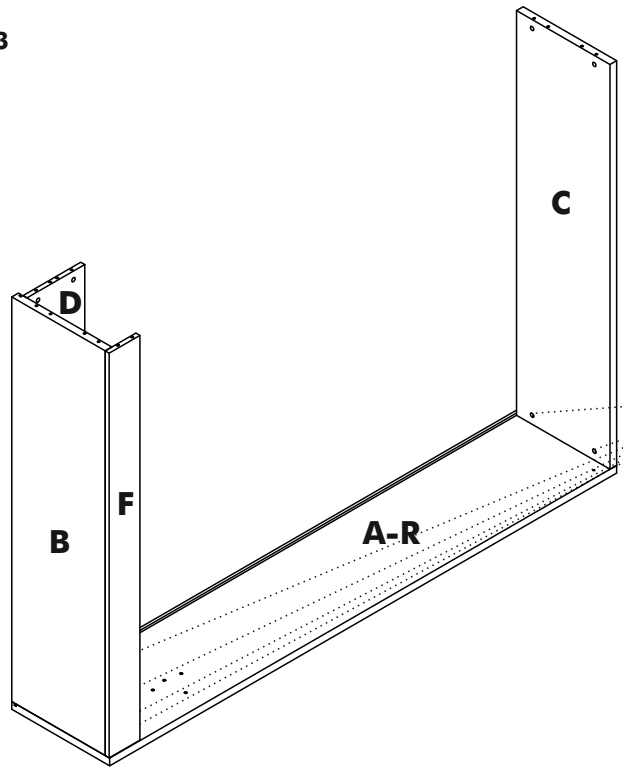
STEP 3



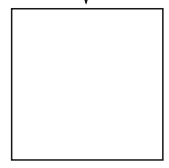
210°



MNG - 01 x 8

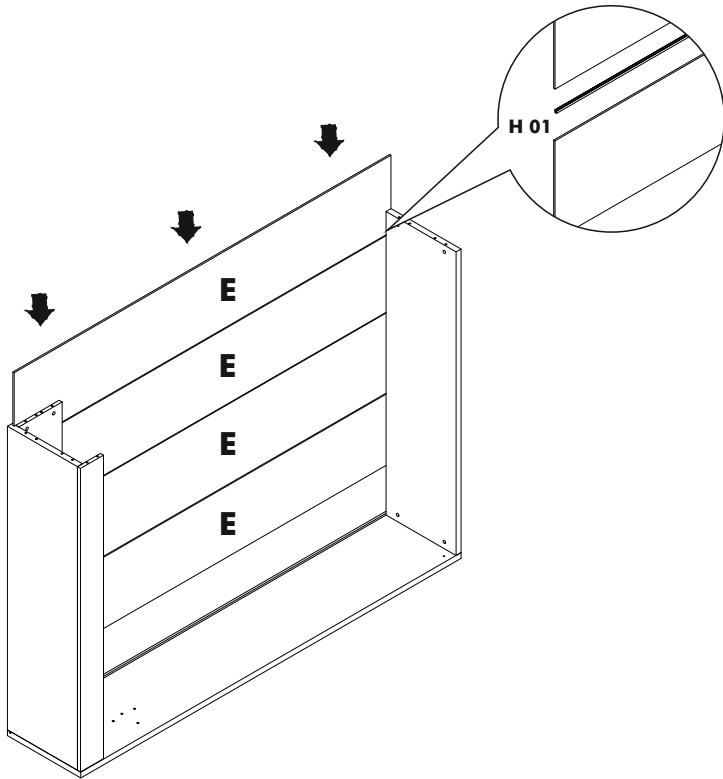


VIDEO

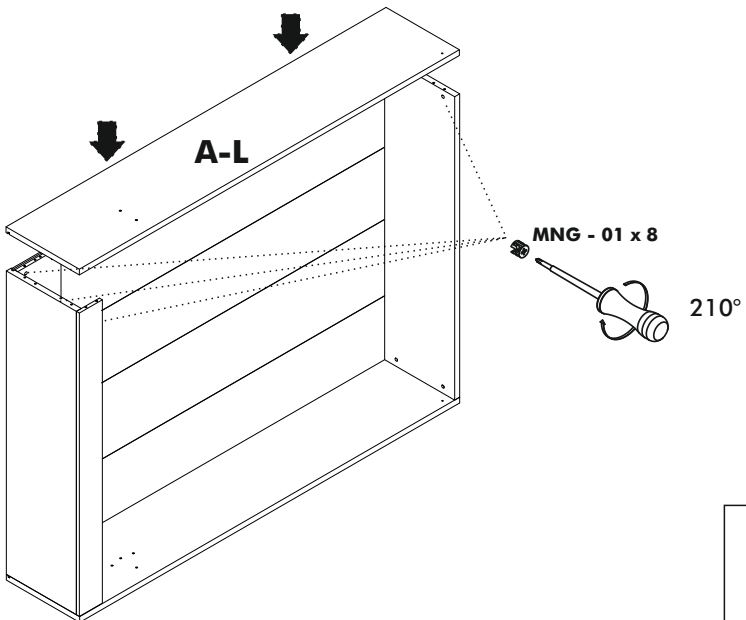


link

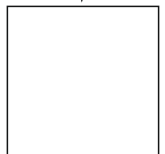
STEP 4



STEP 5

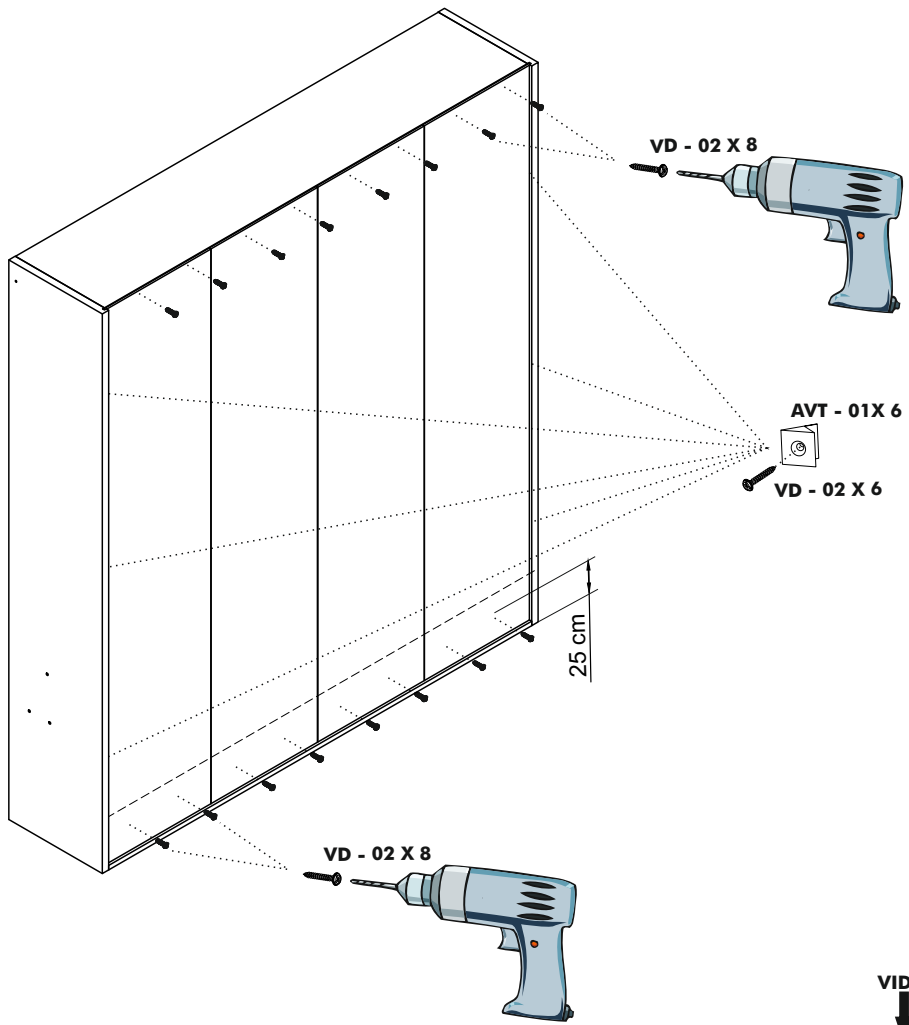


VIDEO

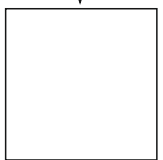


link

STEP 6



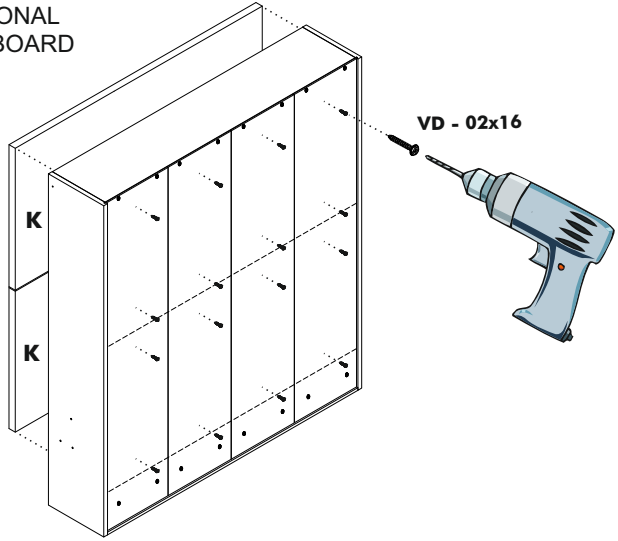
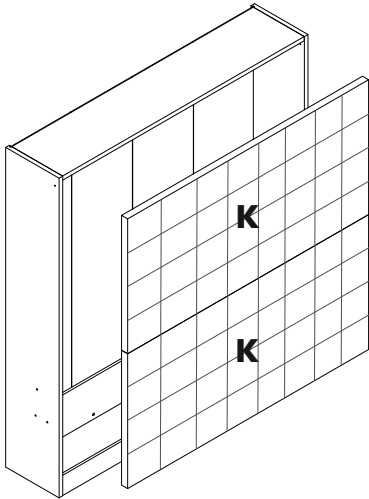
VIDEO



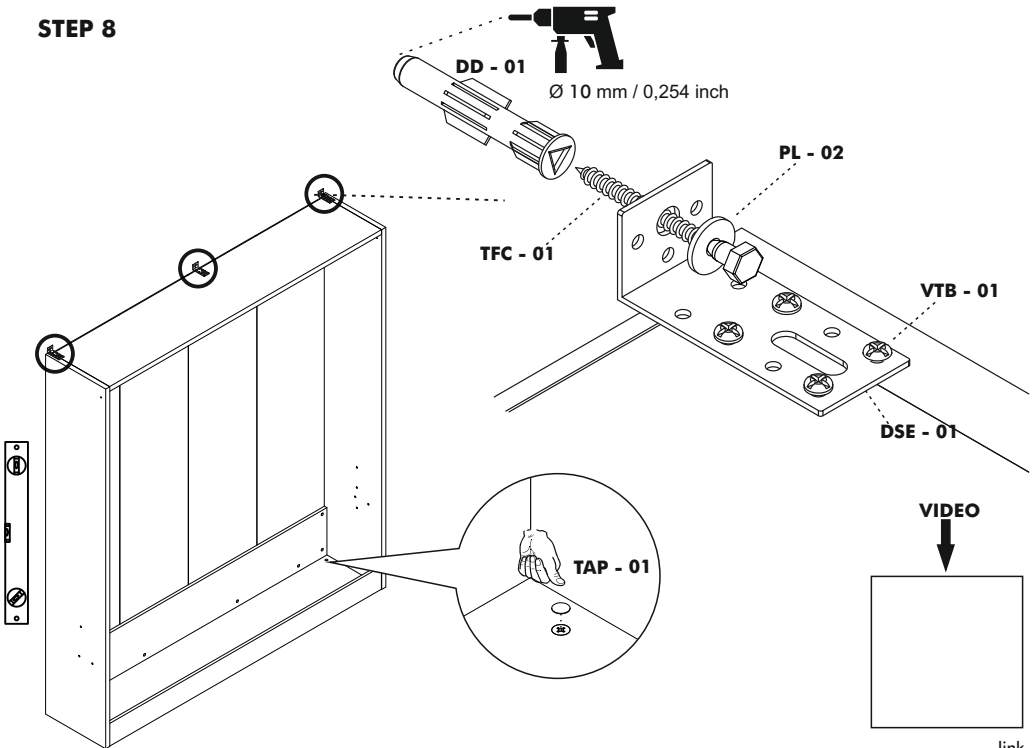
link

STEP 7

**OPTIONAL
HEADBOARD**

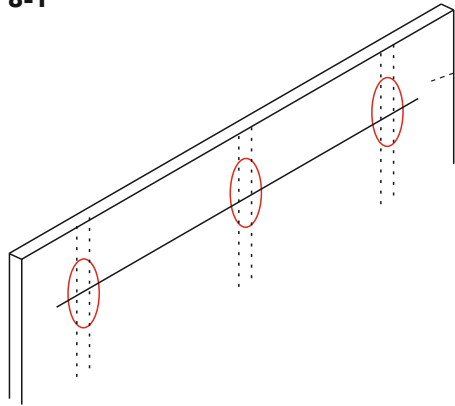


STEP 8



WALLS MADE OF DRYWALL WITH WOODEN OR METAL STUDS

STEP 8-1

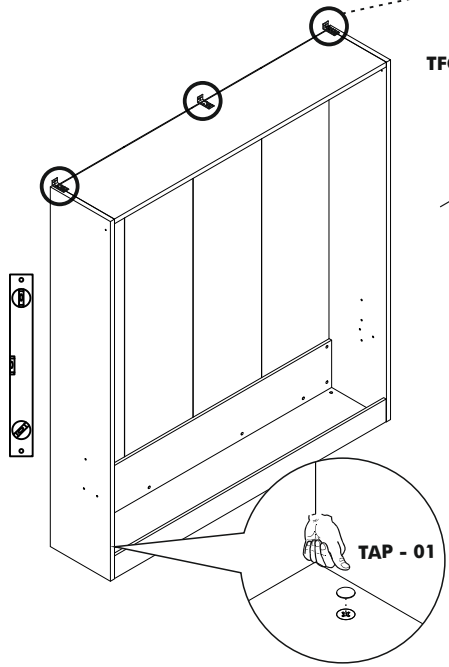
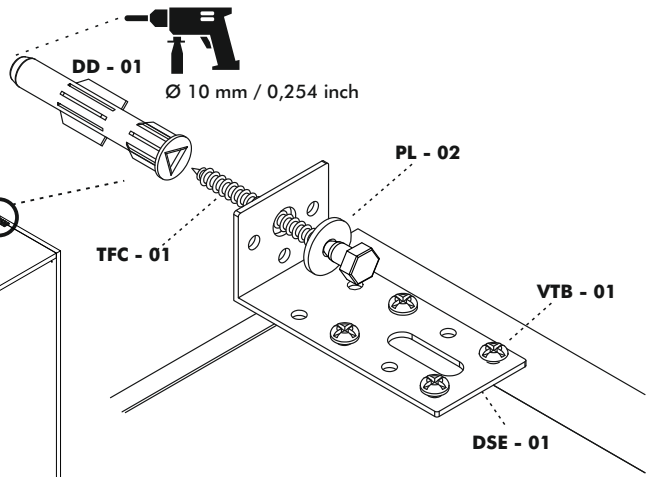


Ø 10 mm / 0,254 inc




FIRST LOCATE THE STUDS BY USING "STUD FINDER" IN THE WALL AND DRILL IT ACCORDING TO THE HEIGHT MEASUREMENTS GIVEN ON THE SIDE.

UPPER HOLES SHOULD BE DRILLED FOR ATTACHING BED AT NEXT STEP.

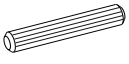


NOT INCLUDED

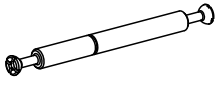
SUPPLY DRYWALL FASTENERS APPROPRIATE TO YOUR WALL TYPE. WE RECOMMEND USING STEEL TOGGLE BOLT ANCHOR THAT SHOWN BELOW



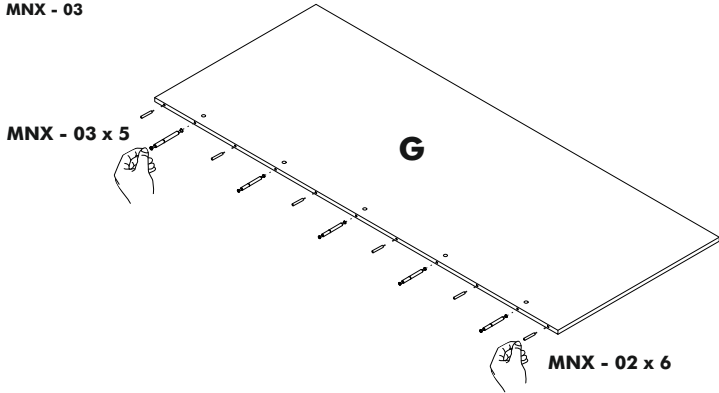
STEP 09



KVL 01



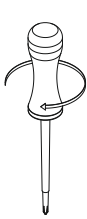
MNX - 03



STEP 10



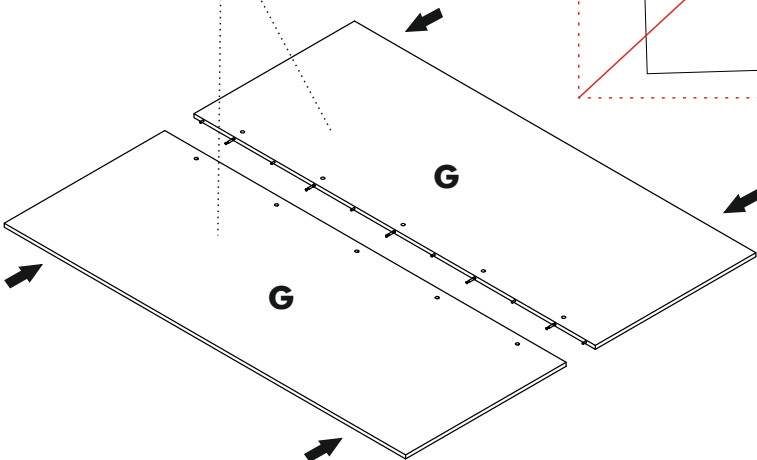
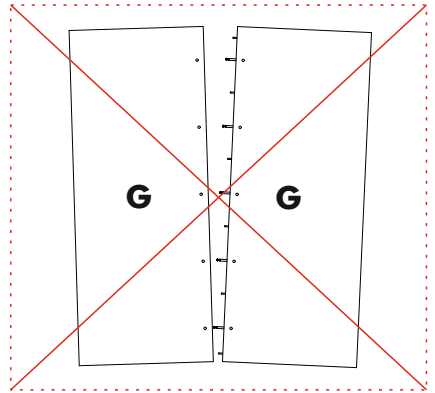
MNG - 01



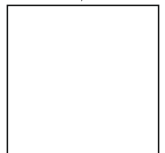
210°



MNG - 01 x 10

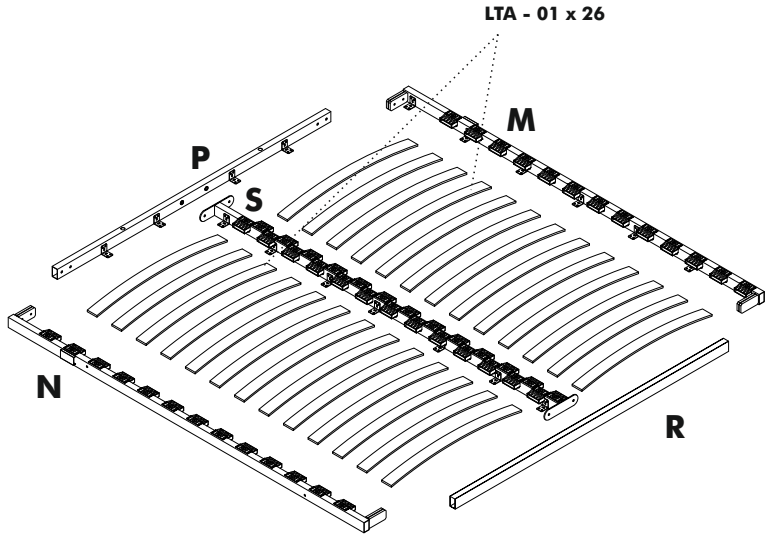


VIDEO

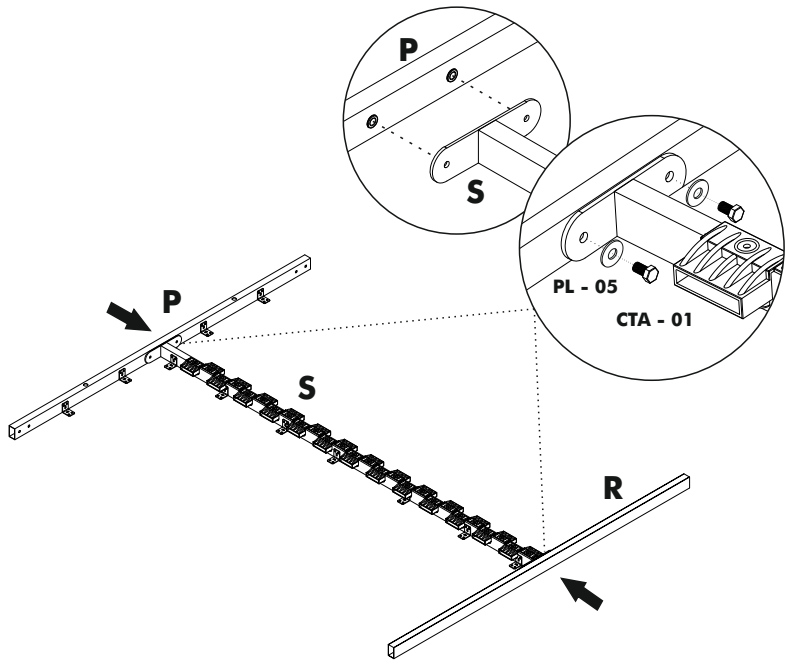


link

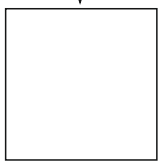
STEP 11



STEP 12

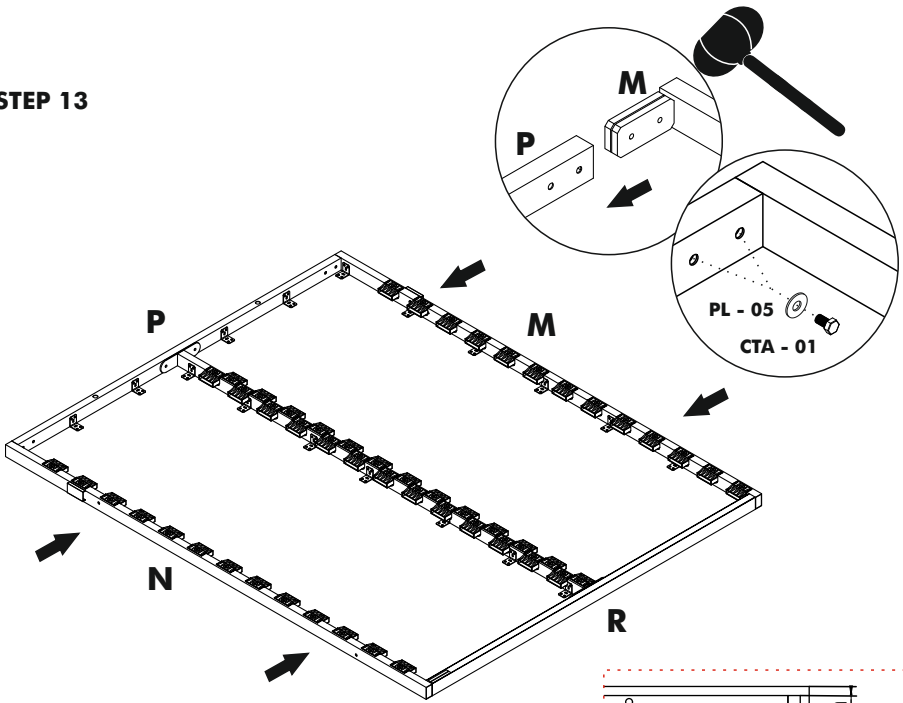


VIDEO

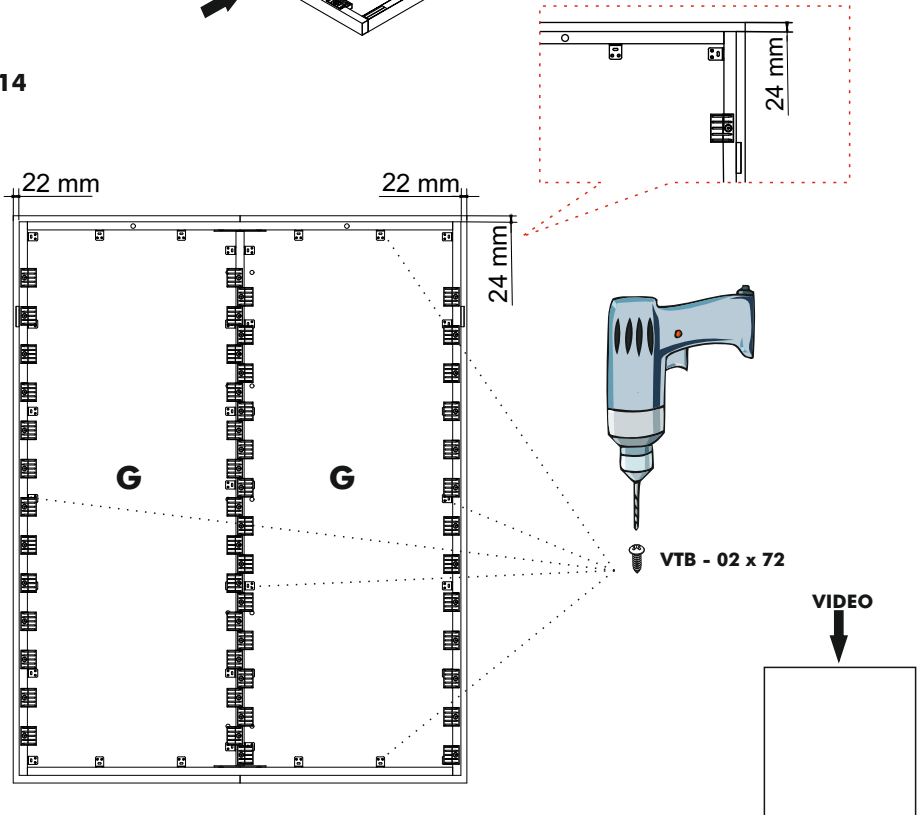


link

STEP 13

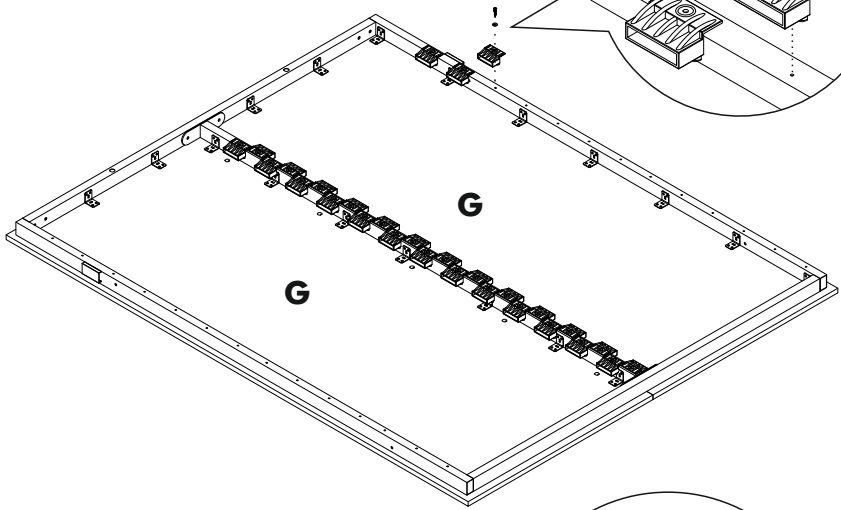


STEP 14



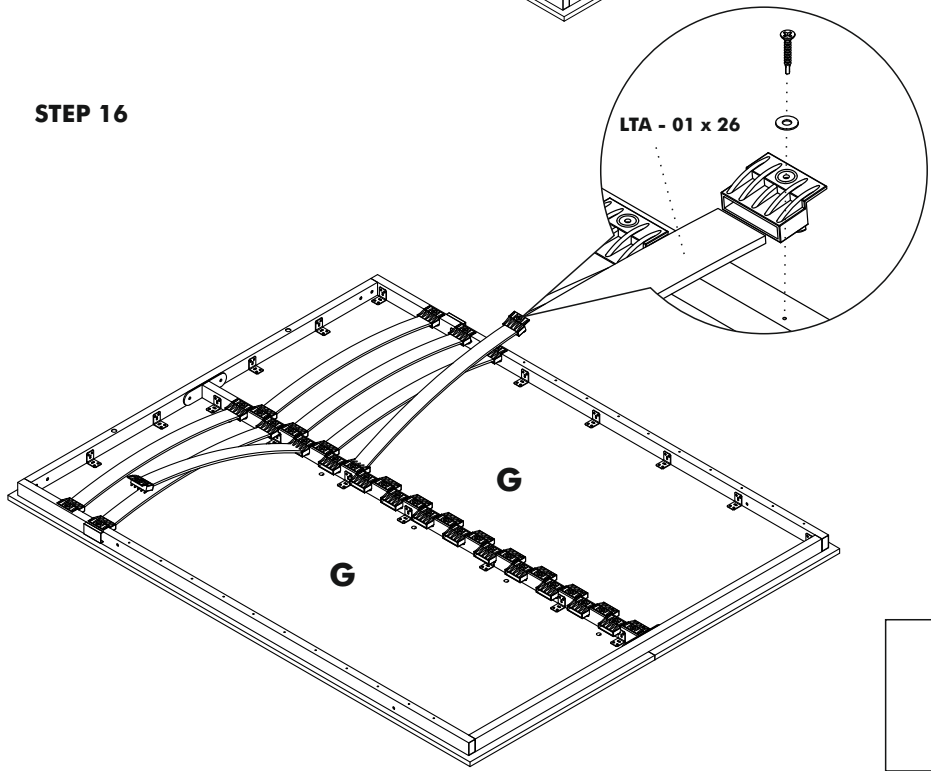
STEP 15

Unscrew the Screws

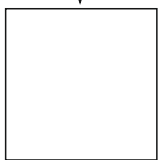


STEP 16

LTA - 01 x 26



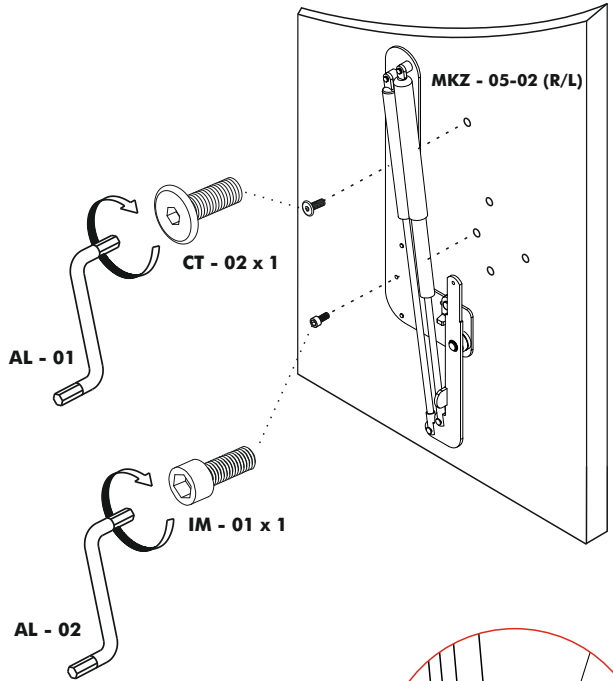
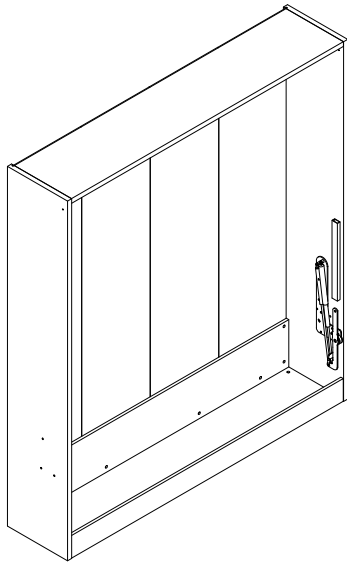
VIDEO



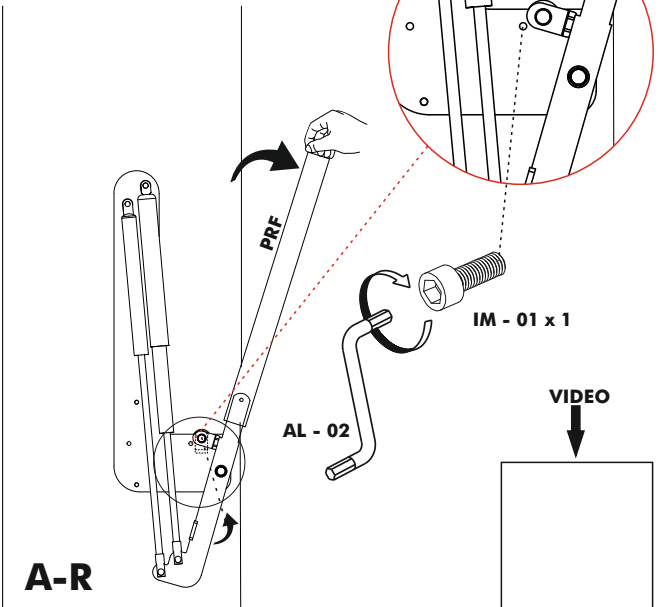
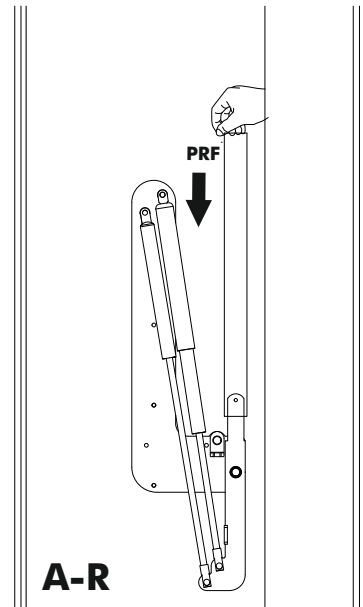
link

STEP 17

CAUTION
DO NOT UNLOCK BEFORE INSTALL

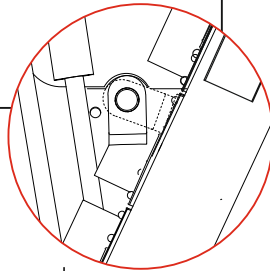
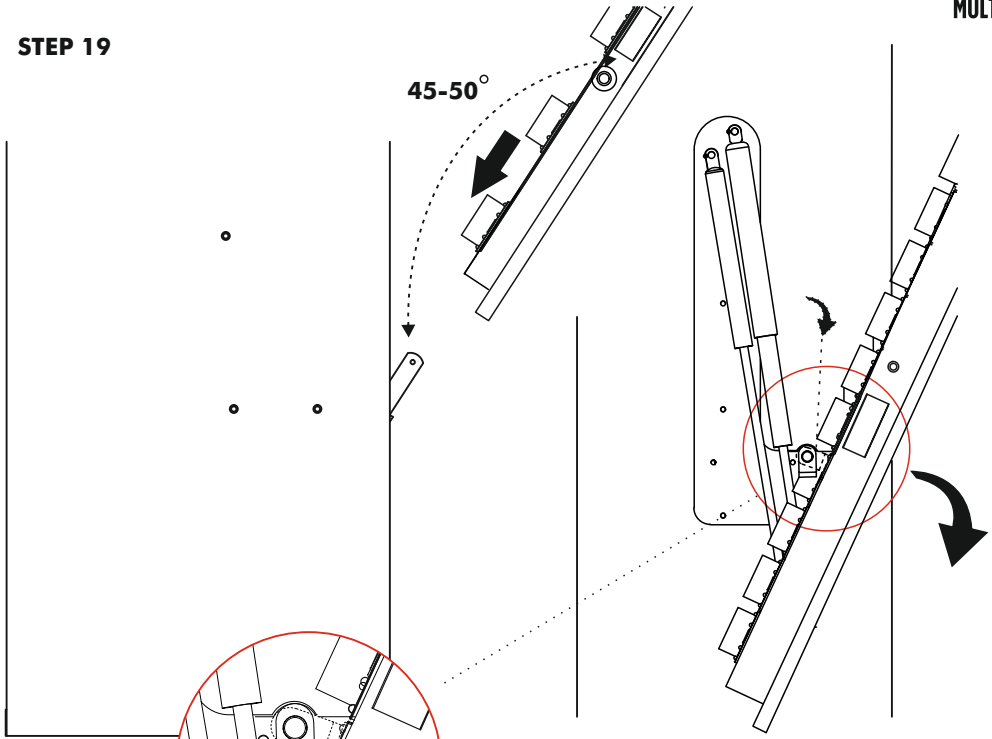


STEP 18

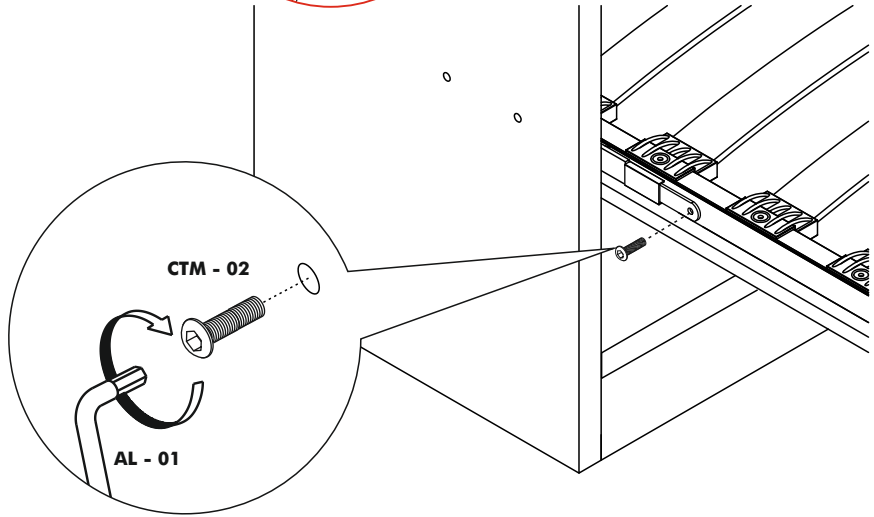


STEP 19

45-50°



LET THE STOPPER LOCK MOVE DOWN !!!



CTM - 02

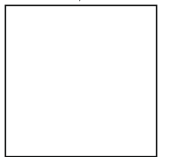
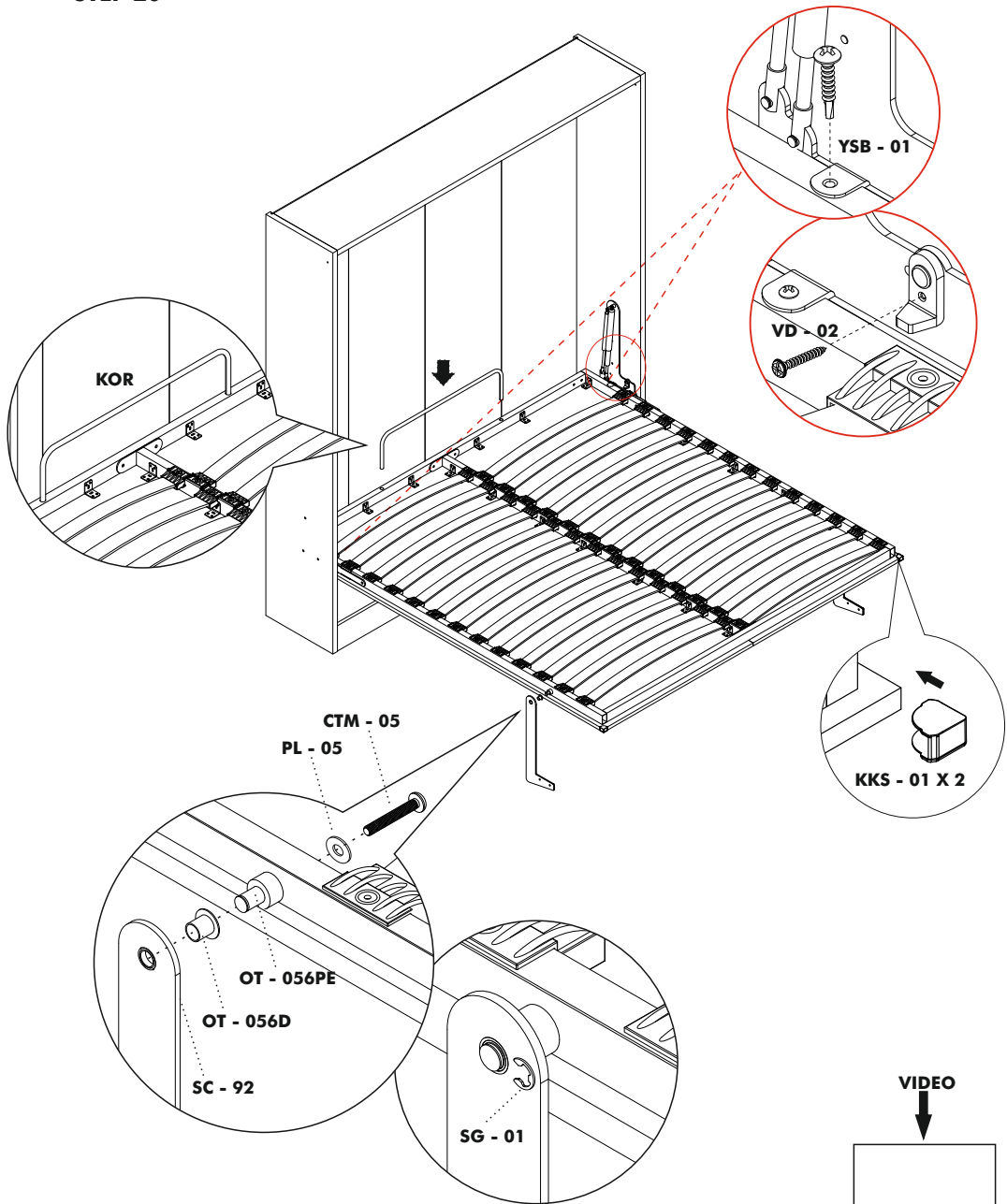
AL - 01

VIDEO

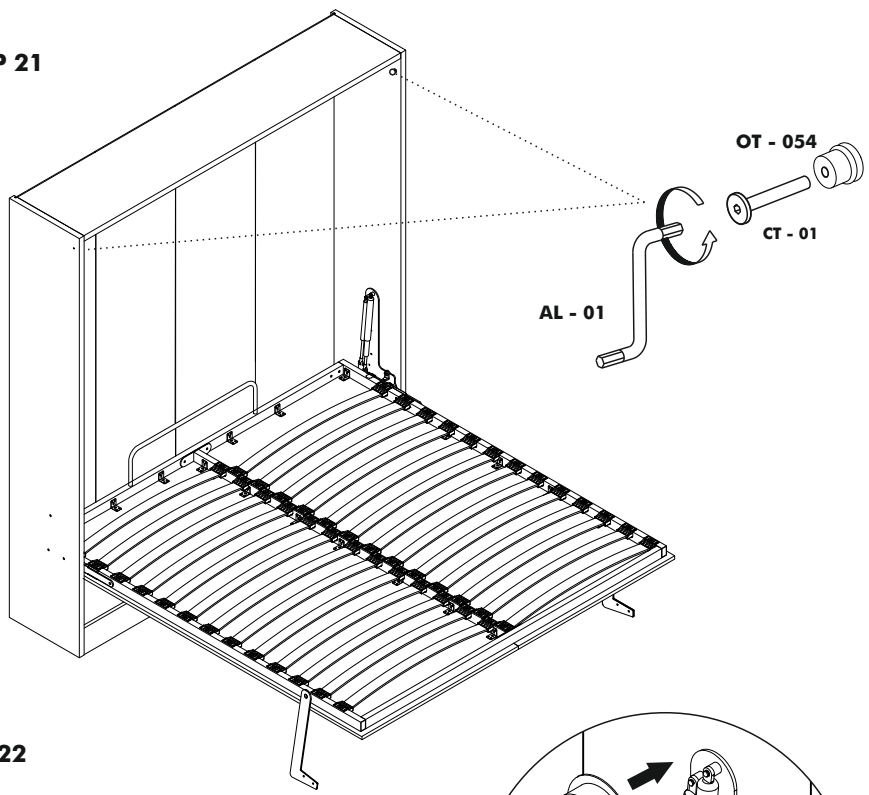


link

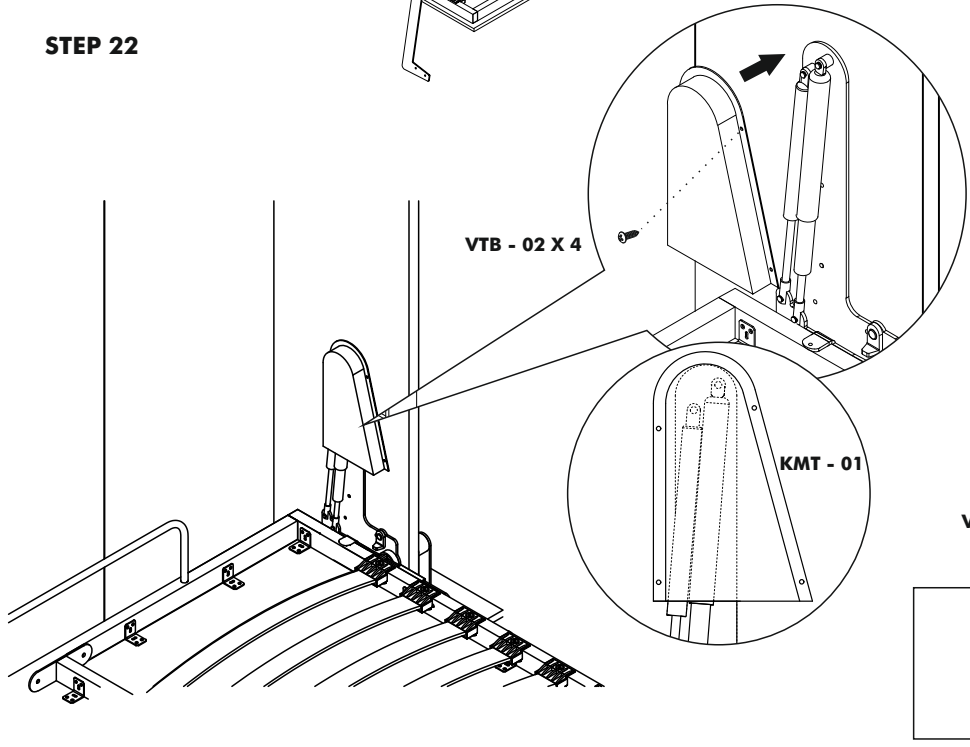
STEP 20



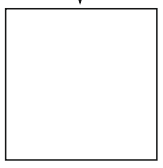
STEP 21



STEP 22

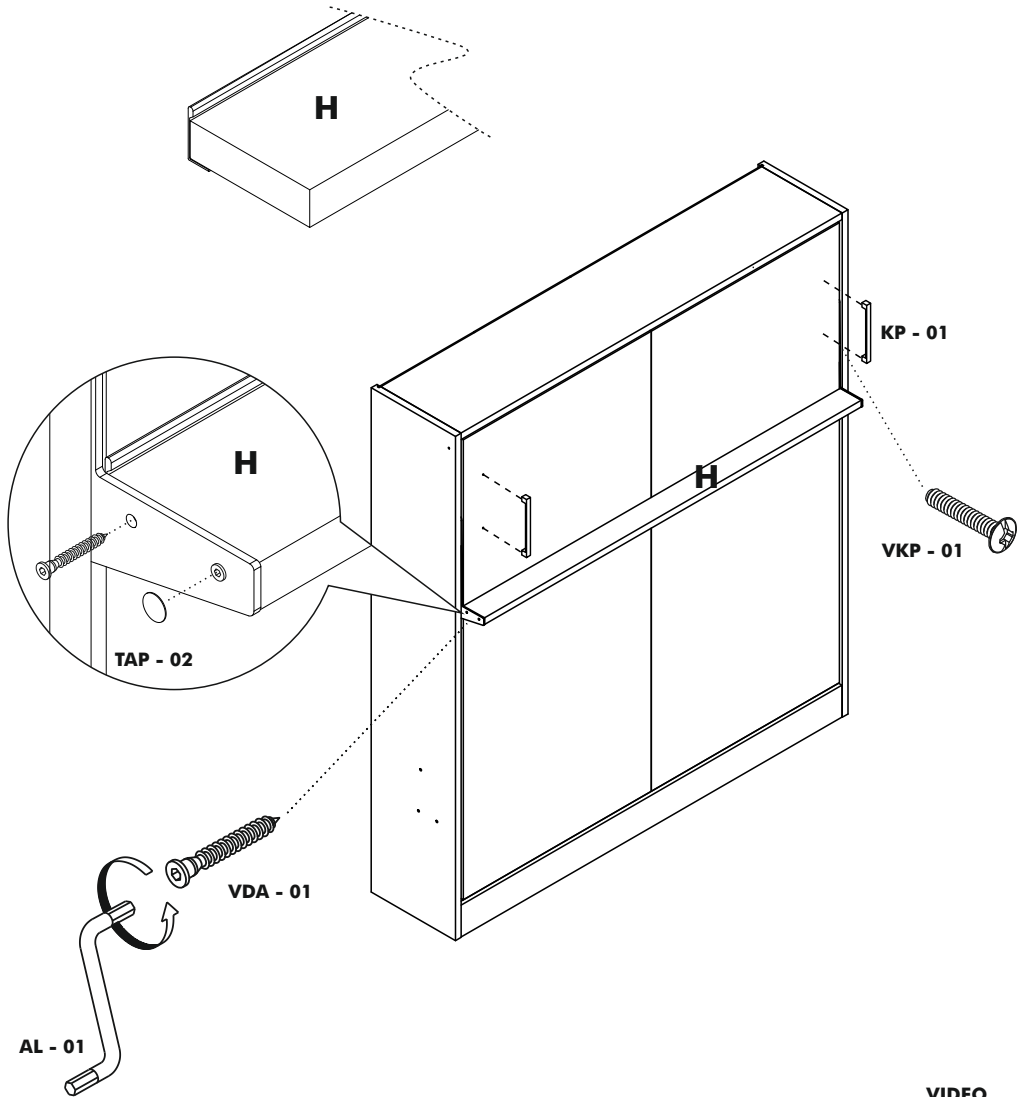


VIDEO

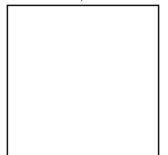


link

STEP 23



VIDEO



link

1. Wall beds must be securely attached to the wall. Hardware for mounting to concrete, brick or similar strong material is included.
2. When mounting to drywall, wall beds must be attached to wooden or metal studs in 2 or 3 points. Do not mount wall beds directly to drywall or paper-mache type wall without properly attaching it to studs. Please choose appropriate fasteners for the type of wall the bed will be mounted on. Drywall mounting hardware is not included.
3. For safety and product longevity you must periodically inspect the integrity and tightness of the mounting and mechanical connections. Confirm hardware remains properly affixed and connections are snug.
4. Do not lean or rest heavy objects on sides or top of furniture. This may cause balance issues and compromise the integrity of your mounting connections.
5. Please use wall beds and integrated shelves, desks and sofas as intended. Do not jump and/or exceed supported weight limits. Do not sit or lean on integrated shelves and desks. Improper use may cause personal injury and damage to property.
6. With seasonal humidity change please inspect the interior and exterior of the furniture for deformation and/or discoloration.
7. Before any un-mounting or disassembly please contact Multimo Beds for technical support and instructions. Failure to properly detach may result in personal injury and damage to property.



WARNINGS

IMPORTANT! HAZARD WARNING!

All Wall Beds contain sophisticated and powerful lifting mechanism. Failure to follow assembly and installation instructions may result in **severe personal injury and damage of the product.**

SECURE RIGIDLY TO A WALL!

Improper attaching wall bed to a wall will create a tip-over hazard and may result in severe personal injury or even death. **ONLY qualified installers should install or remove a wall bed.**



WARRANTY

RETAIL RESIDENTIAL TERM

Lifetime guarantee on hardware.
5 year structural guarantee on cabinetry.

COMMERCIAL TERM

Lifetime guarantee on hardware.
2 year structural guarantee on cabinetry.



www.multimobeds.com