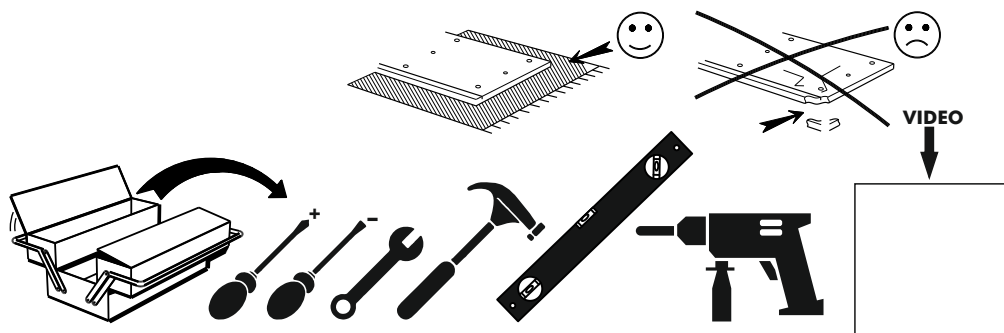
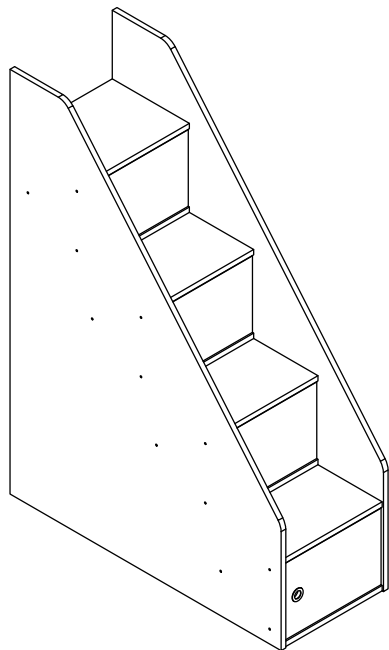




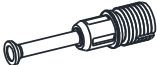

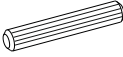

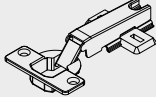
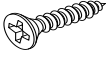

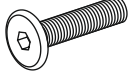
# MULTIMO

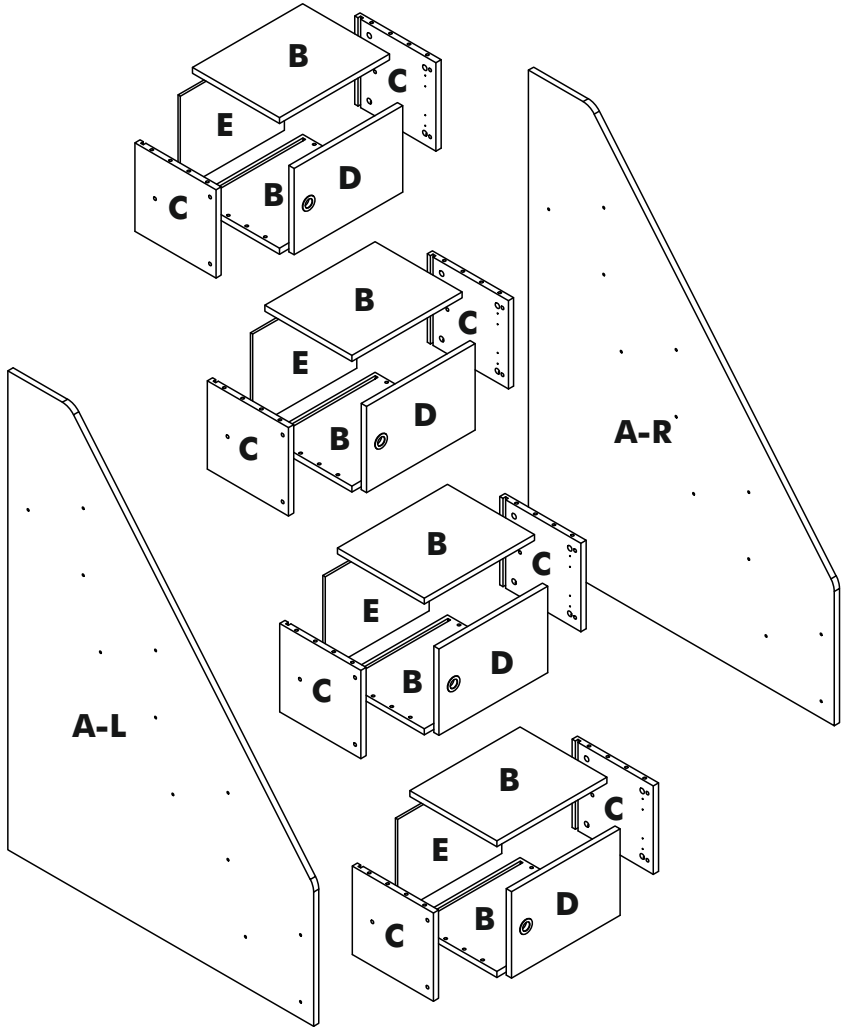
## A 237- ECO STORAGE STEPS



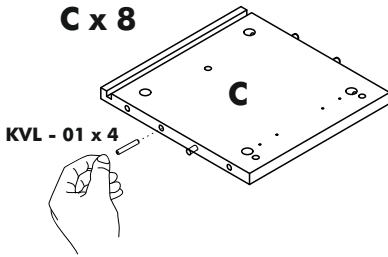
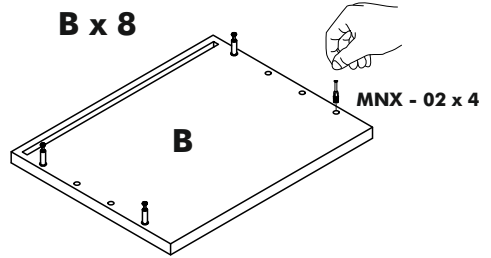
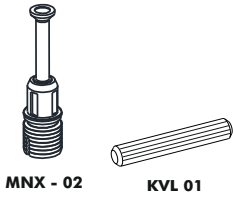
Track Title	Piece	(inch)			(mm)			
		Thickness	Length	Width	Piece	Thick	Height	Most
<b>A</b>	2	0,71	56,34	41,54	2	18	1431	1055
<b>B</b>	8	0,71	14,96	11,81	8	18	380	300
<b>C</b>	8	0,71	10,39	11,02	8	18	264	280
<b>D</b>	4	0,71	14,76	10,16	4	18	375	258
<b>E</b>	4	0,31	14,13	11,06	4	8	359	281

### Accessories List

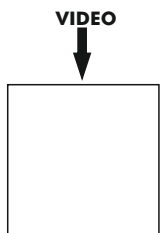
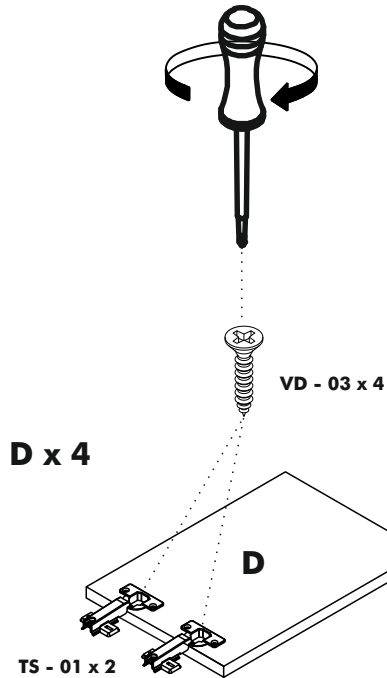
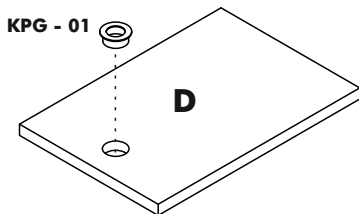
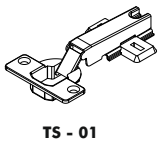
<b>MNX 02</b>  <b>32 / piece</b>	<b>MNG - 01</b>  <b>32 / piece</b>	<b>KVL 01</b>  <b>32 / piece</b>	<b>TAP - 01</b>  <b>32 / piece</b>
<b>TS - 01</b>  <b>8 / piece</b>	<b>VD - 03 ( 3,5x18 ) mm</b>  <b>32 / piece</b>	<b>KPG - 01</b>  <b>4 / piece</b>	<b>CT - 05 ( 6x35 ) mm</b>  <b>24 / piece</b>



### STEP 1



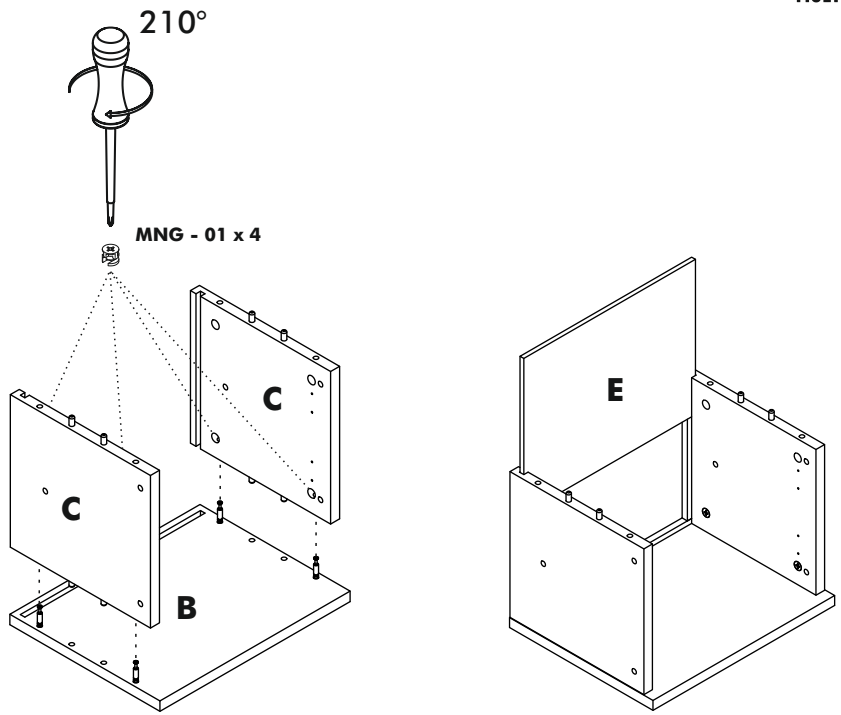
### STEP 2



**STEP 3**



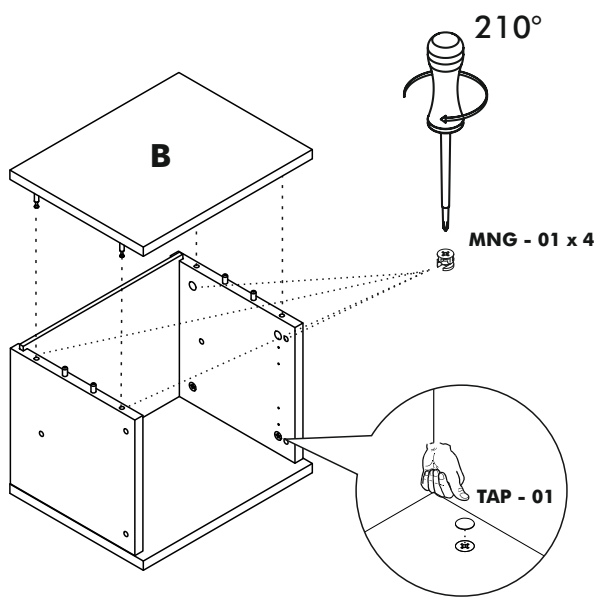
**MNG - 01**



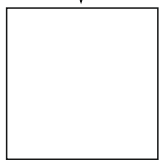
**STEP 4**



**MNG - 01**

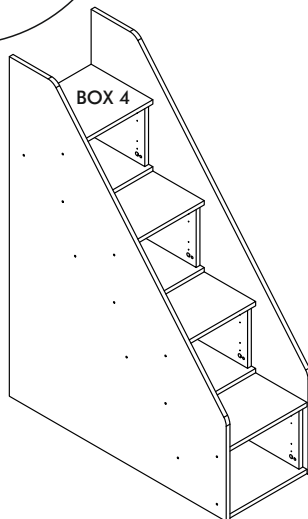
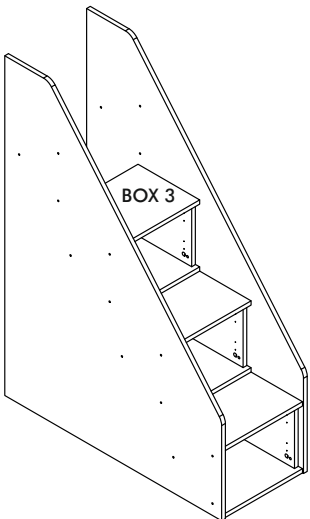
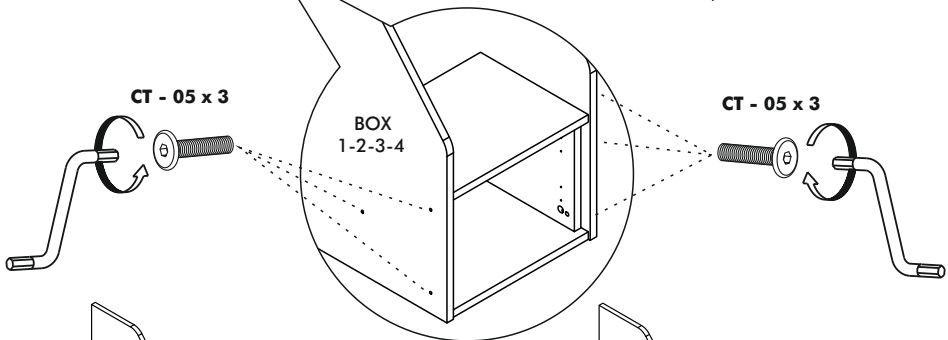
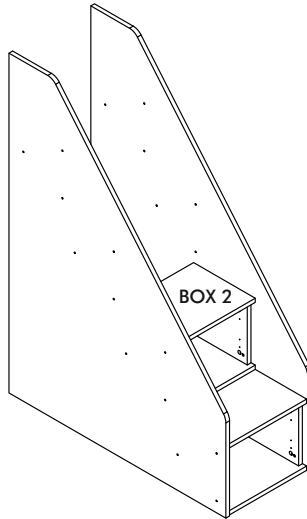
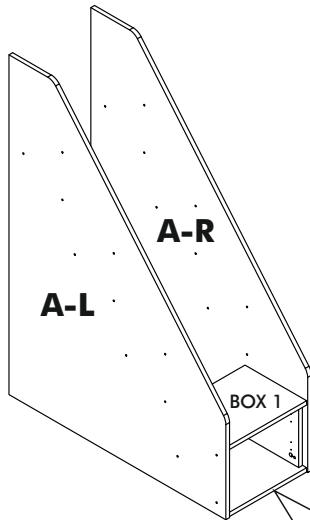


**VIDEO**

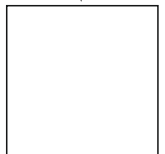


link

**STEP 5**

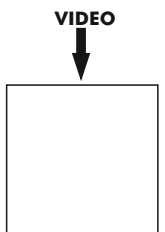
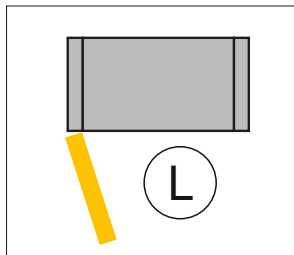
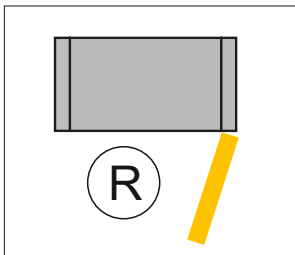
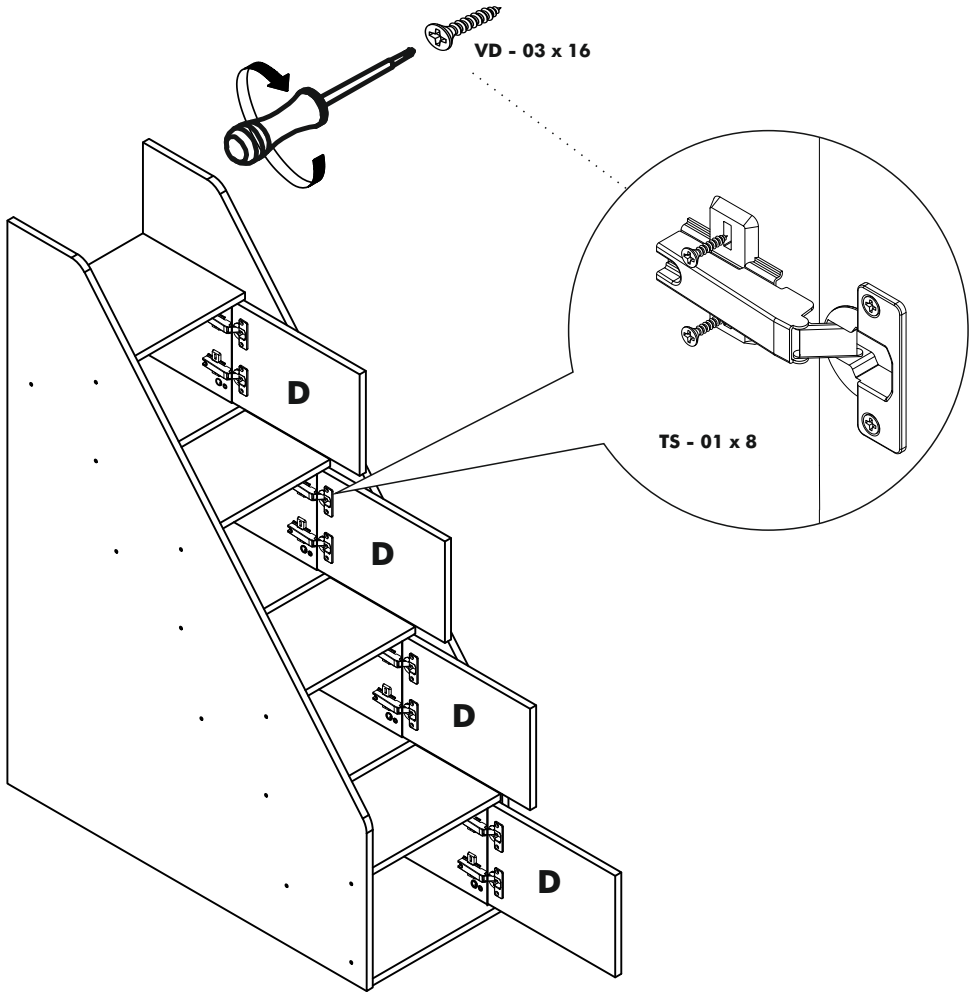


**VIDEO**



link

STEP 6





[www.multimobesd.com](http://www.multimobesd.com)