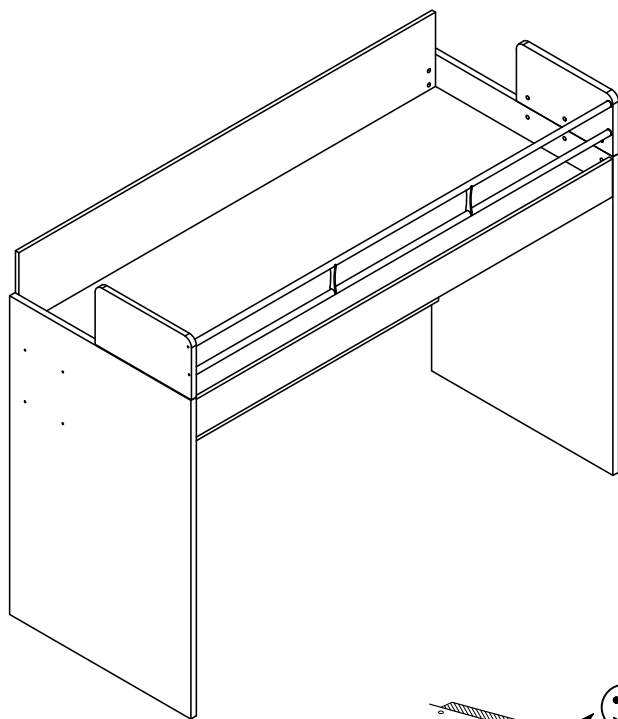




MULTIMO

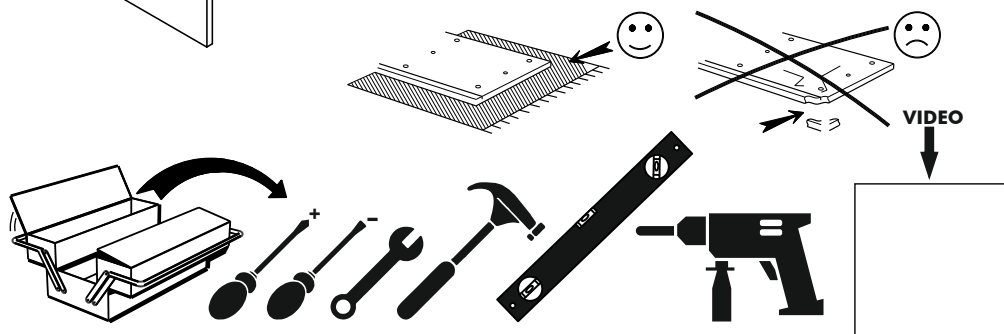
A 235- ECO BEL MONDO BUNK



Technical Service

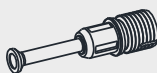

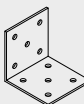
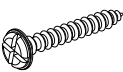
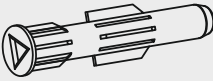
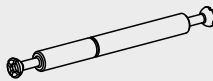
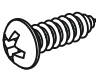
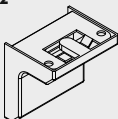



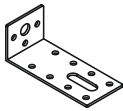

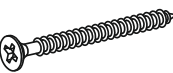


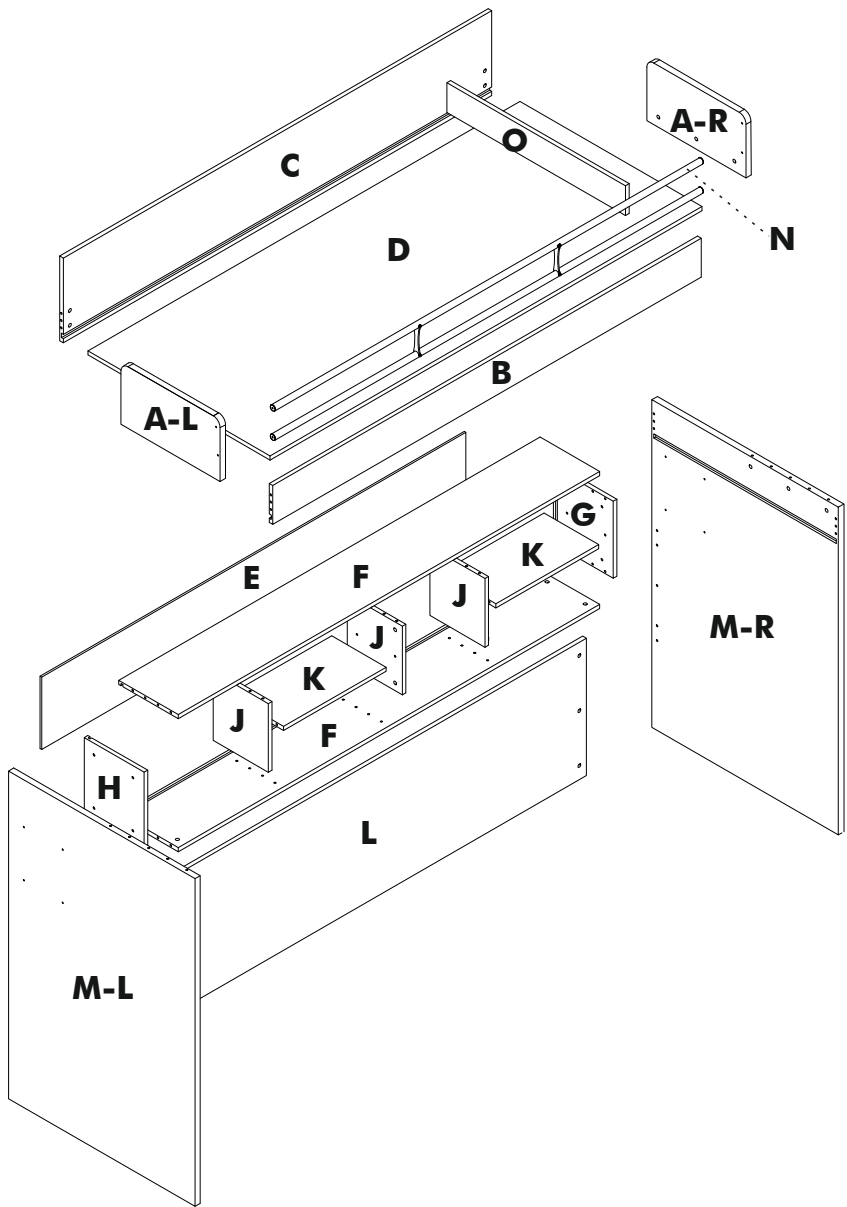
End User



Track Title	Piece	(inch)			(mm)			
		Thickness	Length	Width	Piece	Thick	Height	Most
A	2	1,18	10,59	23,62	2	30	269	600
B	1	0,71	83,78	6,69	1	18	2128	170
C	1	0,71	83,78	14,57	1	18	2128	370
D	1	0,71	84,41	40,00	1	18	2144	1016
E	1	0,31	82,95	12,48	1	8	2107	317
F	2	0,71	82,36	11,81	2	18	2092	300
G	1	0,71	13,23	11,89	1	18	336	302
H	1	0,71	13,23	11,89	1	18	336	302
J	3	0,71	11,81	10,94	3	18	300	278
K	2	0,71	20,06	10,83	2	18	509,5	275
L	1	0,71	83,78	23,62	1	18	2128	600
M	2	1,18	56,34	40,94	2	30	1431	1040
O	1	0,71	39,37	5,12	1	18	1000	130

Accessories List

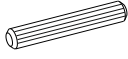
<p>MNX 02</p>  <p>34 / piece</p> <p>CT - 03 (6x50) mm</p>	<p>MNG - 01</p>  <p>46 / piece</p> <p>KB - 01</p>  <p>8 / piece</p> <p>VD - 02 (3,5x25) mm</p>  <p>12 / piece</p> <p>DD - 01 (R10)</p>  <p>3 / piece</p>	<p>MNX - 03</p>  <p>6 / piece</p> <p>VTB - 01 (4,8x16) mm</p>  <p>72 / piece</p> <p>DSE - 02</p>  <p>2 / piece</p> <p>PL - 02 (8x22x1) mm</p>  <p>1 / piece</p>	<p>KVL 01</p>  <p>40 / piece</p> <p>TAP - 01</p>  <p>46 / piece</p> <p>DSE - 01 (40x90x32) mm</p>  <p>1 / piece</p>
<p>AVT - 01</p>  <p>6 / piece</p> <p>VD - 01 (6X70) mm</p>  <p>3 / piece</p>			



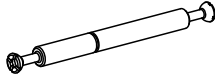
STEP 1



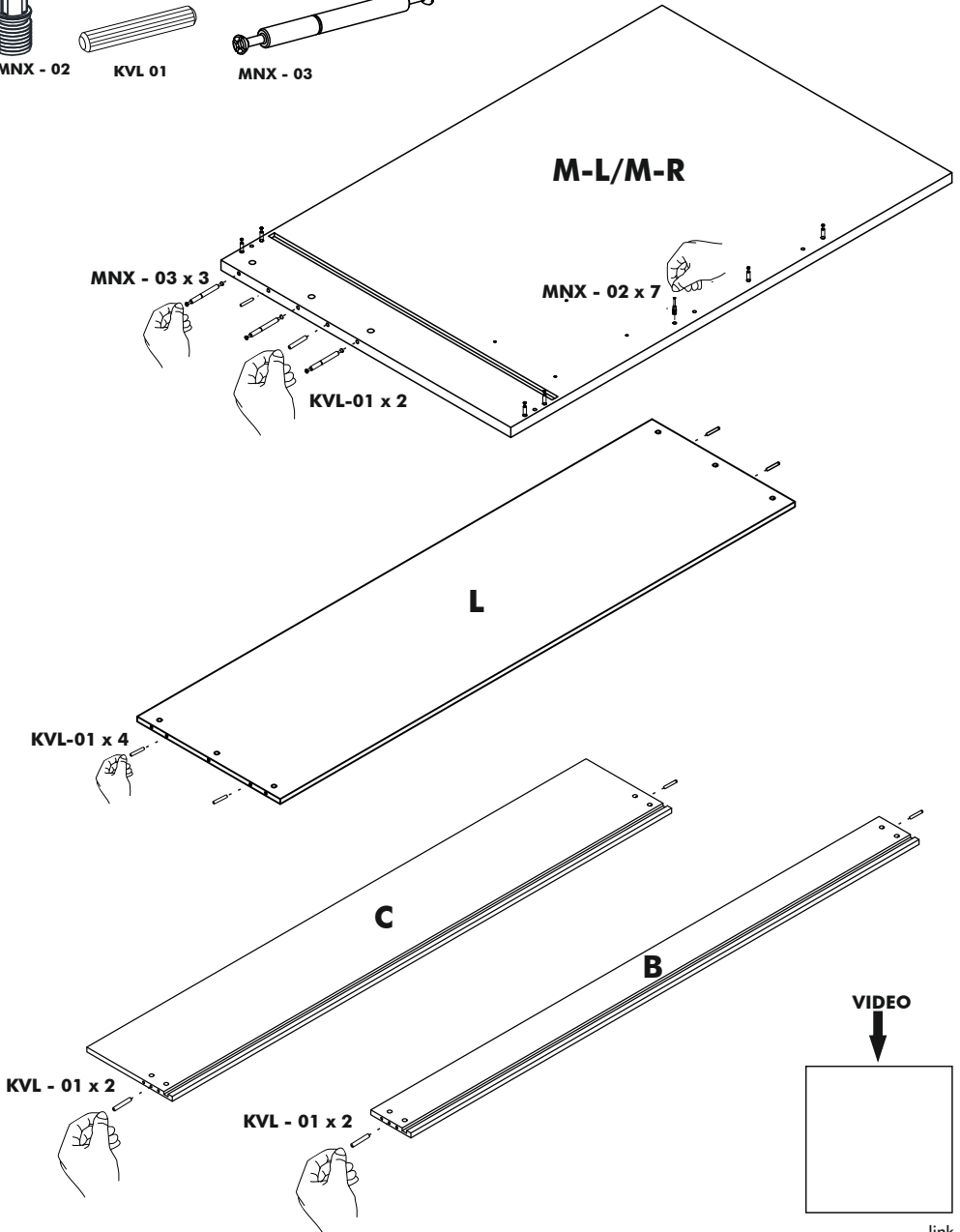
MNX - 02



KVL 01



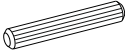
MNX - 03



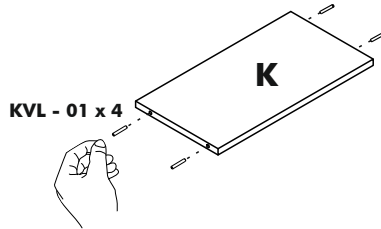
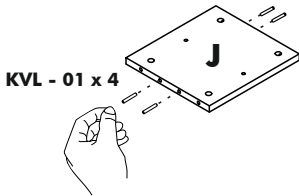
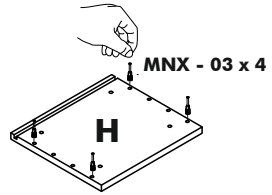
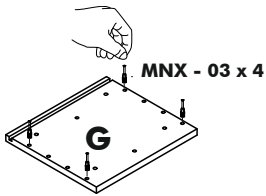
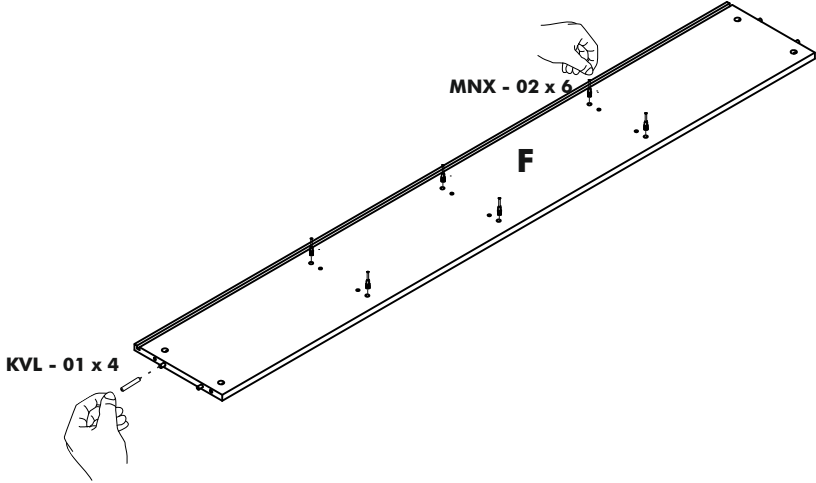
STEP 2



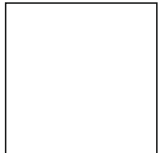
MNG - 01



KVL 01



VIDEO

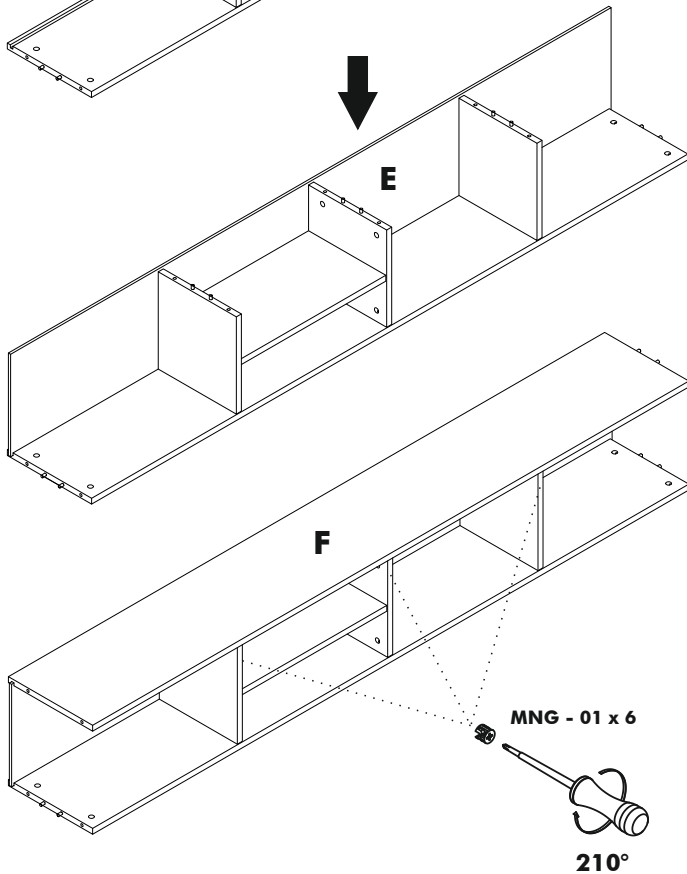
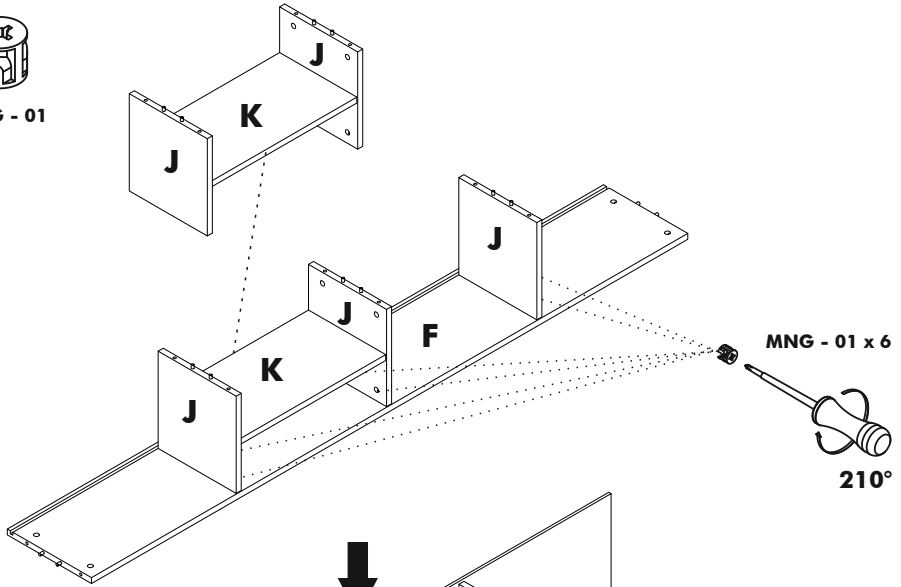


link

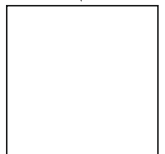
STEP 3



MNG - 01



VIDEO

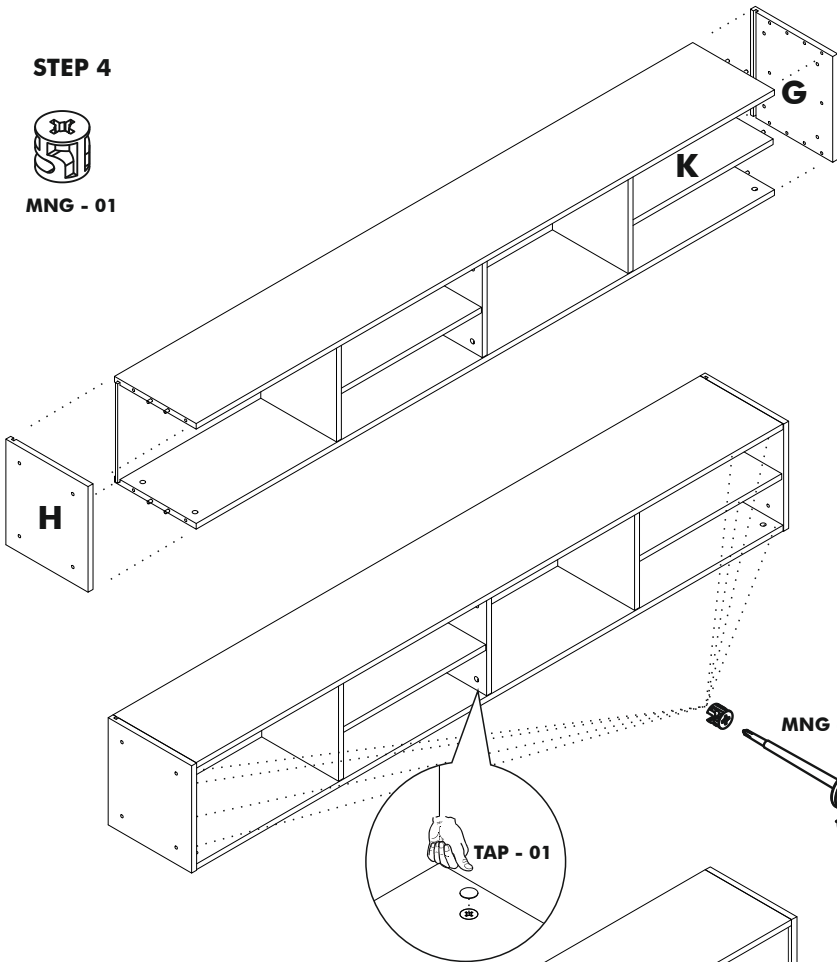


link

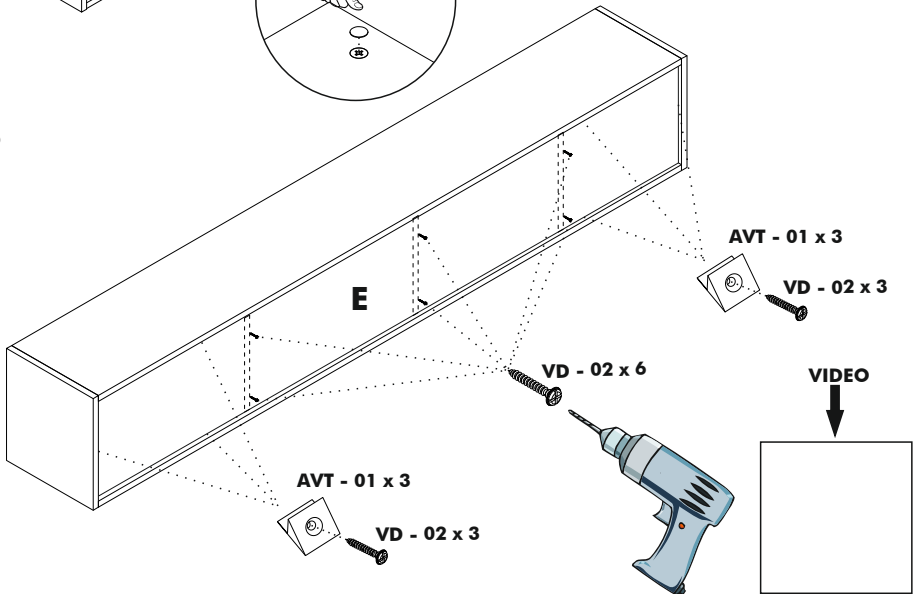
STEP 4



MNG - 01



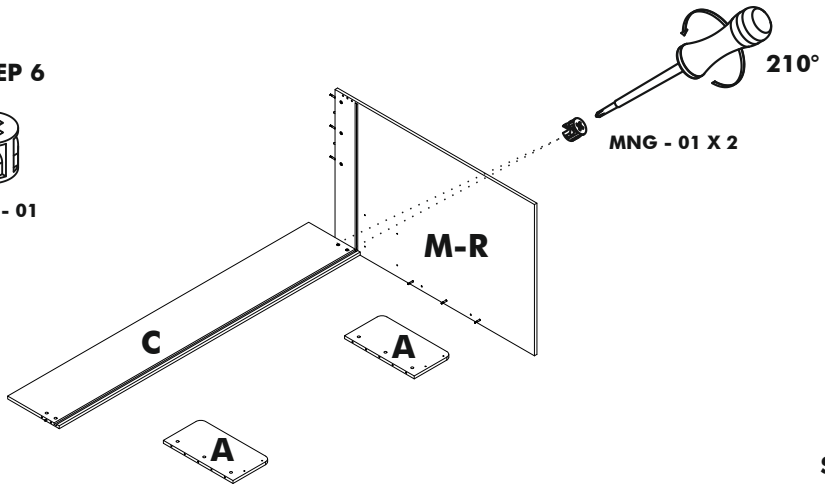
STEP 5



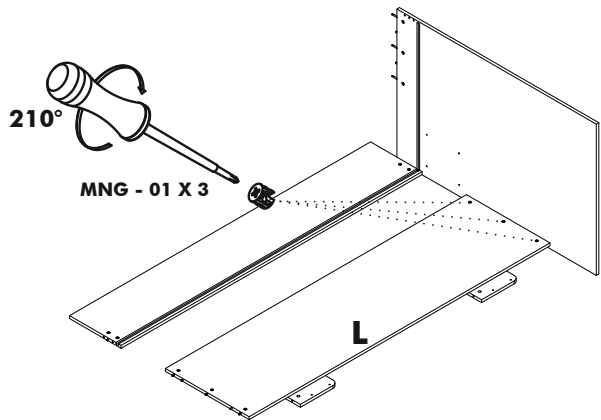
STEP 6



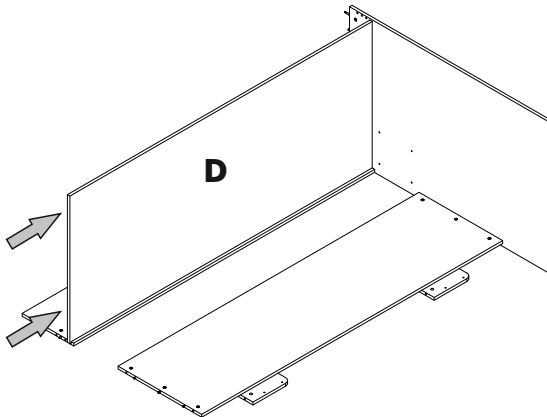
MNG - 01



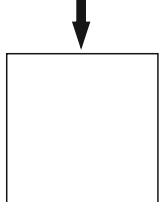
STEP 7



STEP 8



VIDEO

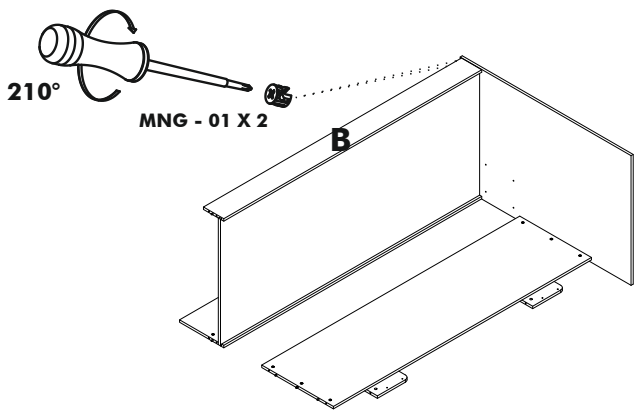


link

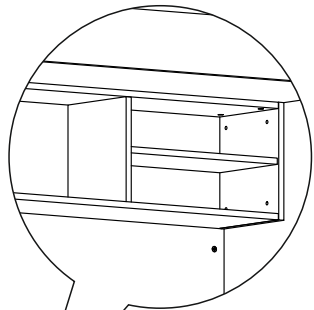
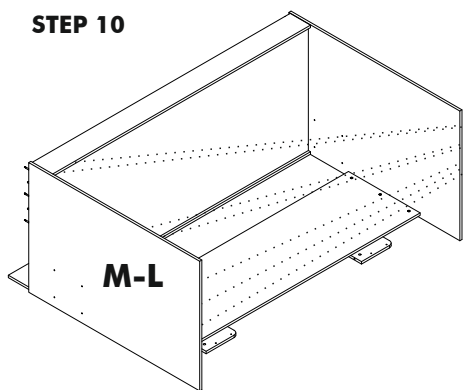
STEP 9



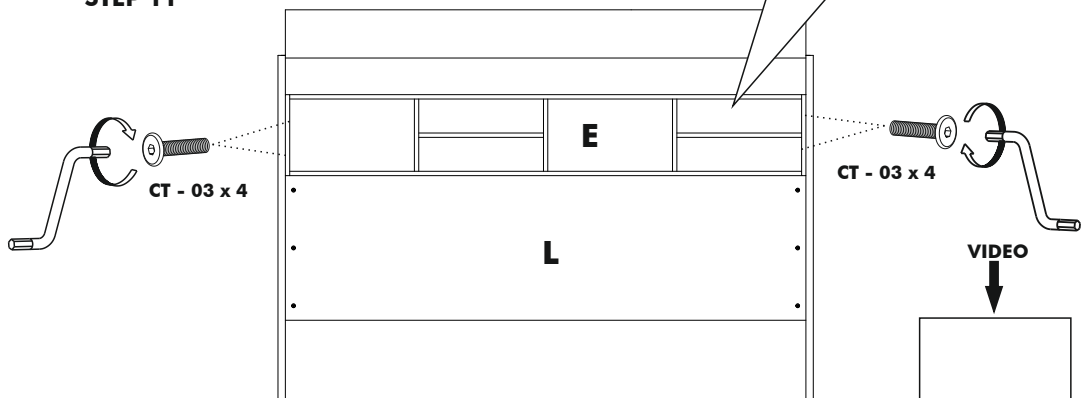
MNG - 01



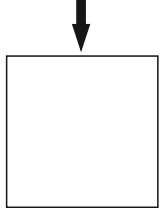
STEP 10



STEP 11



VIDEO

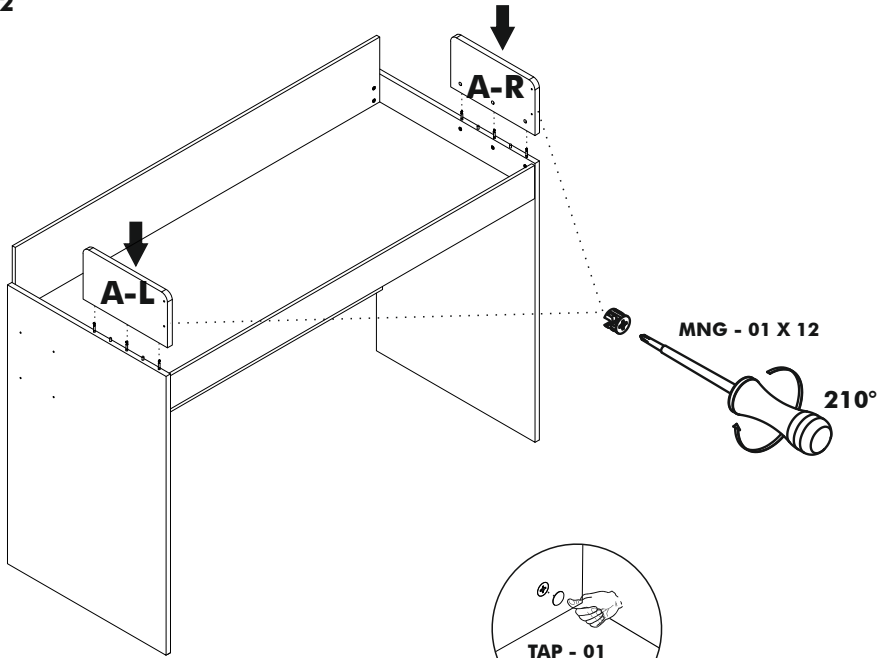


link

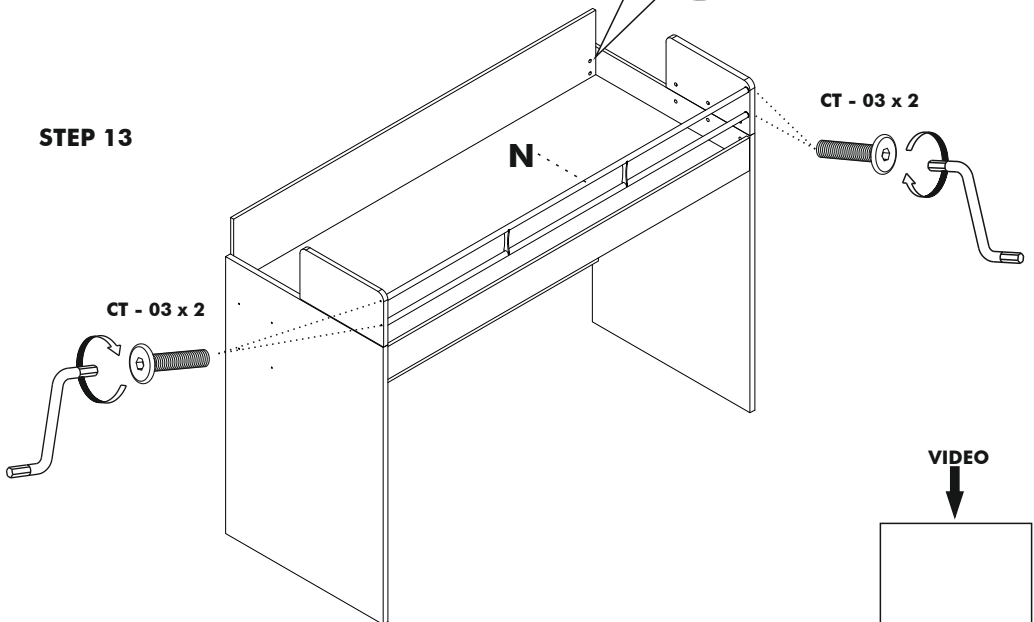
STEP 12



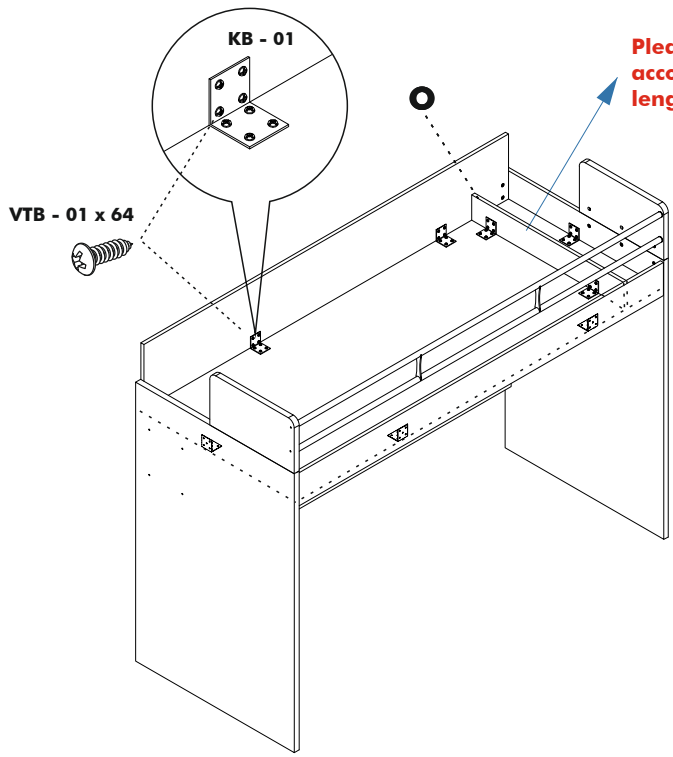
MNG - 01



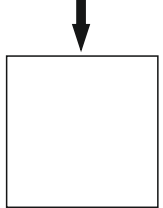
STEP 13



STEP 14

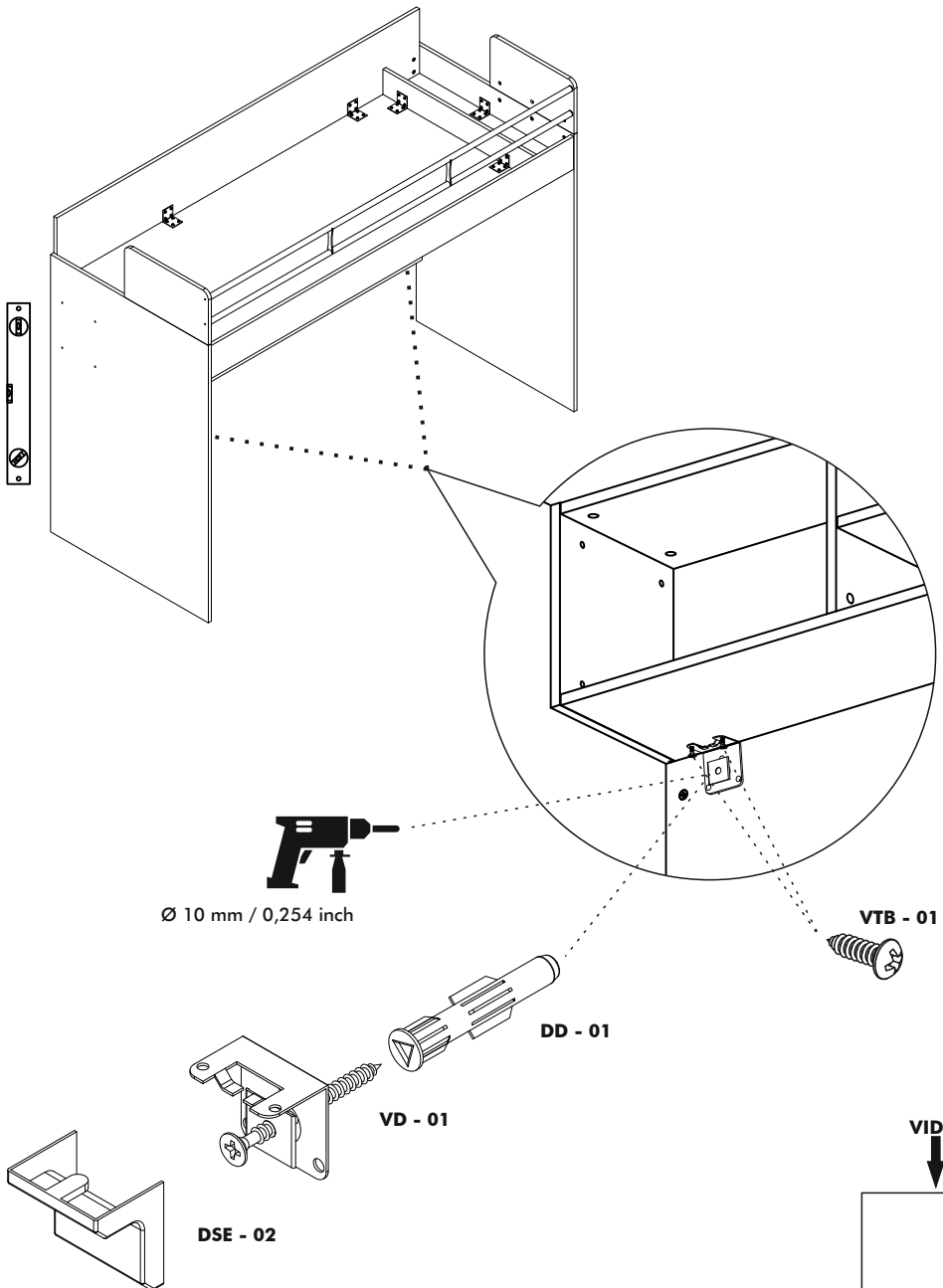


VIDEO

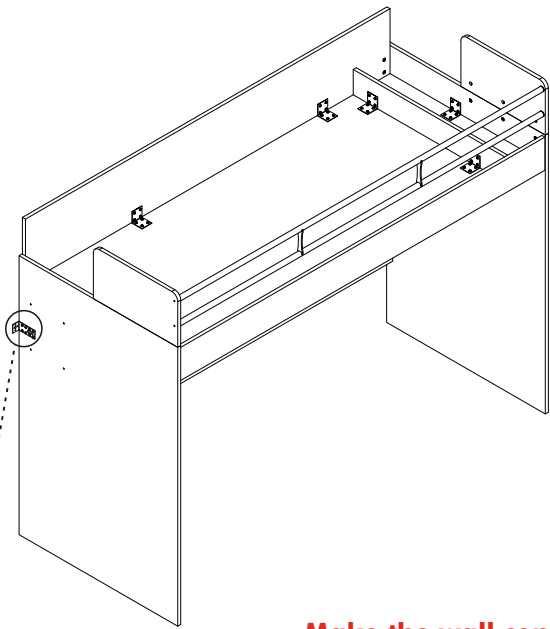


link

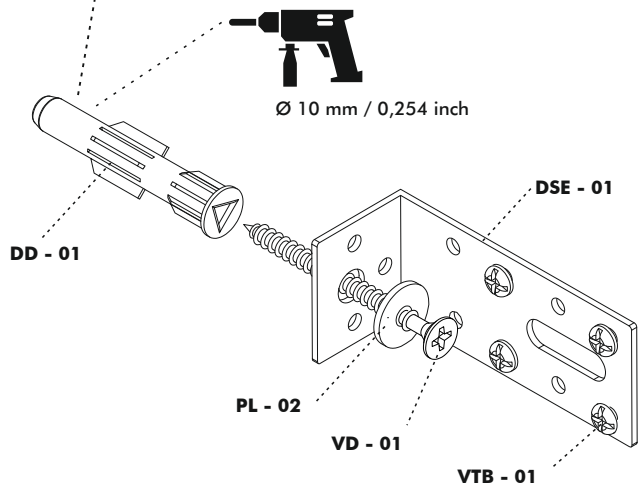
STEP 15



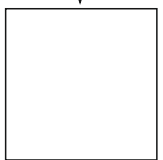
STEP 16



Make the wall connection preferably from the side where the ladder will locate!



VIDEO



link

ATTENTION / HOW TO / READ ME / OWNER'S GUIDE

1. Most bunk beds must be securely attached to the wall, unless the bed is free standing. Please check the product description for this information. Hardware for mounting to concrete, brick or similar strong material is included.
2. When mounting to drywall, wall bunk beds must be attached to wooden or metal studs in 2 or 3 points. Do not mount wall bunk beds directly to drywall or paper-mache type wall without properly attaching it to studs. Please choose appropriate fasteners for the type of wall the bed will be mounted on. Drywall mounting hardware is not included.
3. For safety and product longevity you must periodically inspect the integrity and tightness of the mounting and mechanical connections. Confirm hardware remains properly affixed and connections are snug.
4. Do not lean or rest heavy objects on sides or top of furniture. This may cause balance issues and compromise the integrity of your mounting connections.
5. Please use wall bunk beds and integrated shelves, desks and sofas as intended. Do not jump and/or exceed supported weight limits. Do not sit or lean on integrated shelves and desks. Improper use may cause personal injury and damage to property.
 - Always use the provided ladder when accessing the top bunk.
 - Always use a ladder for additional support for the upper bunk when it is open.
 - Be slow, careful and aware of surroundings when opening the top bunk.
 - Do not horseplay. Beds are to be slept on only.
 - Make sure that support legs are fully extended and are flat on the floor. Always be aware of where the leg is and will be.
6. With seasonal humidity change please inspect the interior and exterior of the furniture for deformation and/or discoloration.
7. Before any un-mounting or disassembly please contact Multimo Beds for technical support and instructions Failure to properly detach may result in personal injury and damage to property.



WARNINGS

IMPORTANT! HAZARD WARNING!

All Wall Beds contain sophisticated and powerful lifting mechanism. Failure to follow assembly and installation instructions may result in **severe personal injury and damage of the product.**

SECURE RIGIDLY TO A WALL!

Improper attaching wall bed to a wall will create a tip-over hazard and may result in severe personal injury or even death.
ONLY qualified installers should install or remove a wall bed.



WARNINGS

To help prevent serious or fatal injuries due to entrapment or falls

- Never allow a child under 6 on upper bunk.
- Use only Twin/Twin XL size mattress on upper bunk.
- Ensure mattress thickness doesn't exceed 6", and that mattress surface at least 5" below upper edge of guard rails



WARRANTY

RETAIL RESIDENTIAL TERM

Lifetime guarantee on hardware.
5 year structural guarantee on cabinetry.

COMMERCIAL TERM

Lifetime guarantee on hardware.
2 year structural guarantee on cabinetry.



www.multimobeds.com