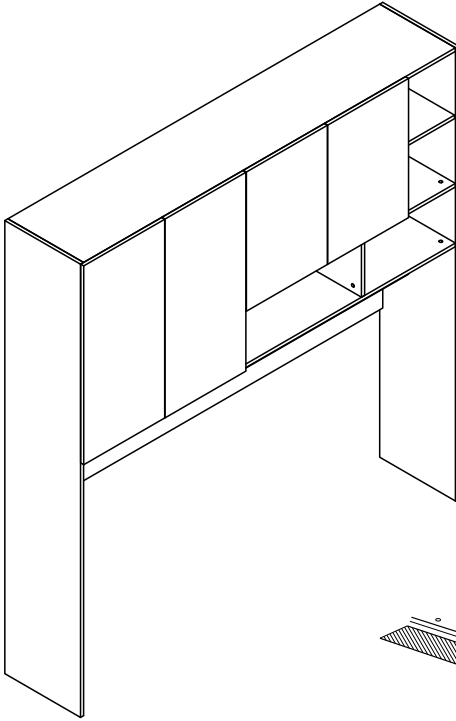




MULTIMO

A 230- ECO COMPACT CABINETS



2 hours



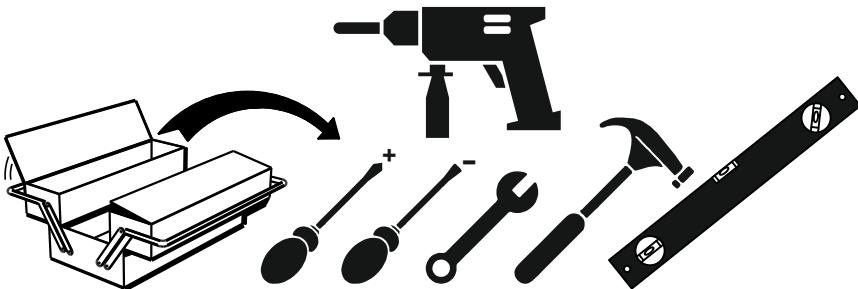
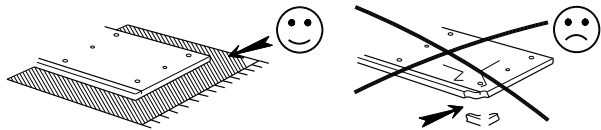
Technical Service



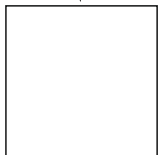
5 hours



End User



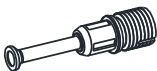




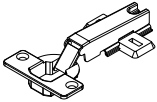
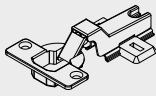
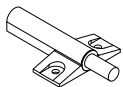
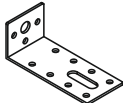
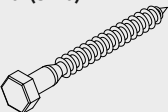
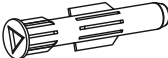


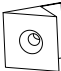

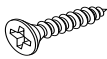
VIDEO

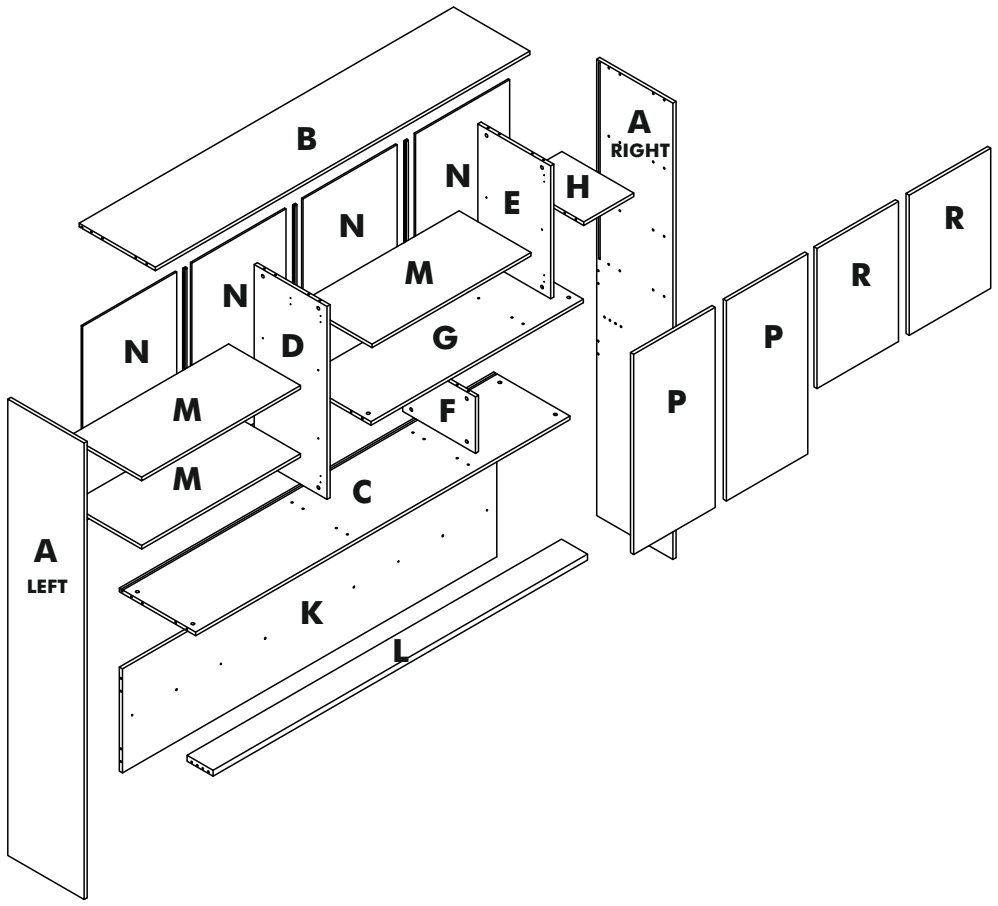


link

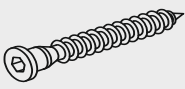
Track Title	Piece	(inch)			(mm)			
		Thickness	Length	Width	Piece	Thick	Height	Most
A-R / A-L		0,71	89,76	17,32	2	18	2280	440
B		0,71	85,04	17,32	1	18	2160	440
C		0,71	85,04	17,32	1	18	2160	440
D		0,71	37,95	16,54	1	18	964	420
E		0,71	26,14	16,54	1	18	664	420
F		0,71	11,10	16,54	1	18	282	420
G		0,71	48,23	16,54	1	18	1225	420
H		0,71	11,38	16,34	1	18	289	415
K		0,71	85,04	20,47	1	18	2160	520
L		1,18	85,04	5,91	1	30	2160	150
M		0,71	36,10	16,34	3	18	917	415
N		0,31	38,58	21,38	4	8	980	543
P		0,71	39,37	18,50	2	18	1000	470
R		0,71	27,56	18,50	2	18	700	470

Accessories List

MXN 02  36 / piece	MNG - 01  36 / piece	KVL 01  40 / piece	TAP - 01  36 / piece
PM - 01  12 / piece	TS - 01  4 / piece	TS - 02  4 / piece	BS - 01  4 / piece
DSE - 01 (40x90x32) mm  3 / piece	TFC - 01(8x70) mm  3 / piece	DD - 01 (R10)  3 / piece	PL - 02 (8x22x1) mm  3 / piece
VTB - 01 (4,8x16) mm  12 / piece	AVT - 01  12 / piece	VD - 02 (3,5x25) mm  20 / piece	VD - 03 (3,5x18) mm  44 / piece




VDA - 01 (6,5x50) mm



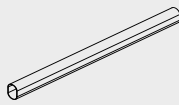
5 / piece

AF - 02



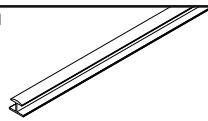
2 / piece

BO - 01



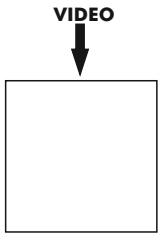
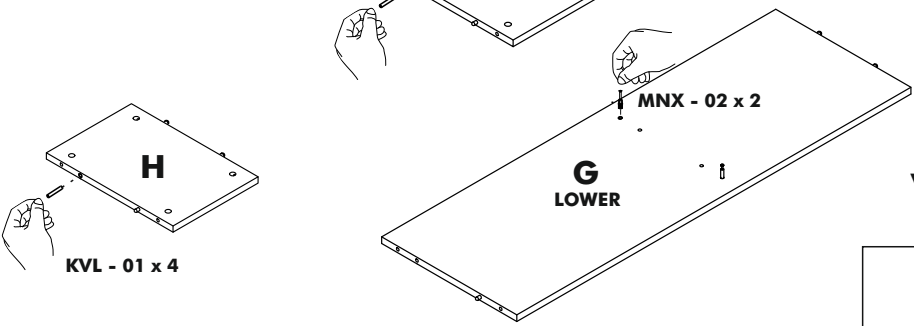
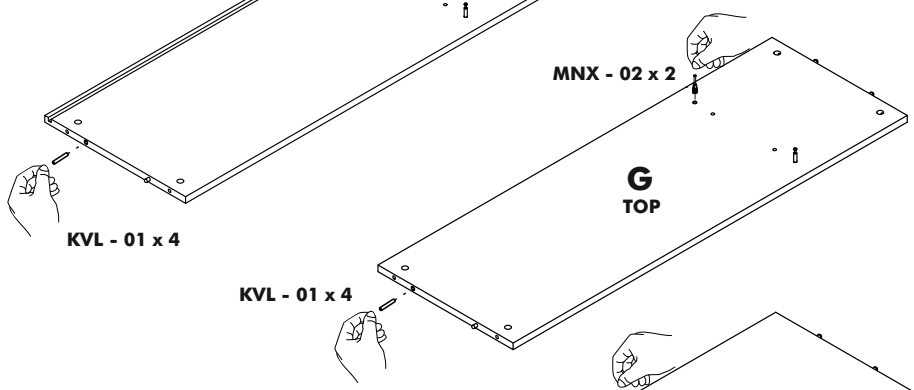
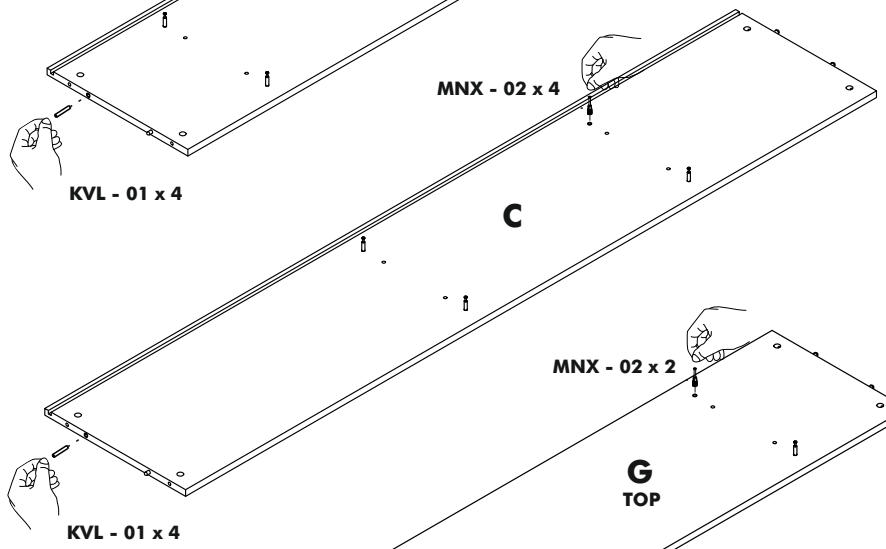
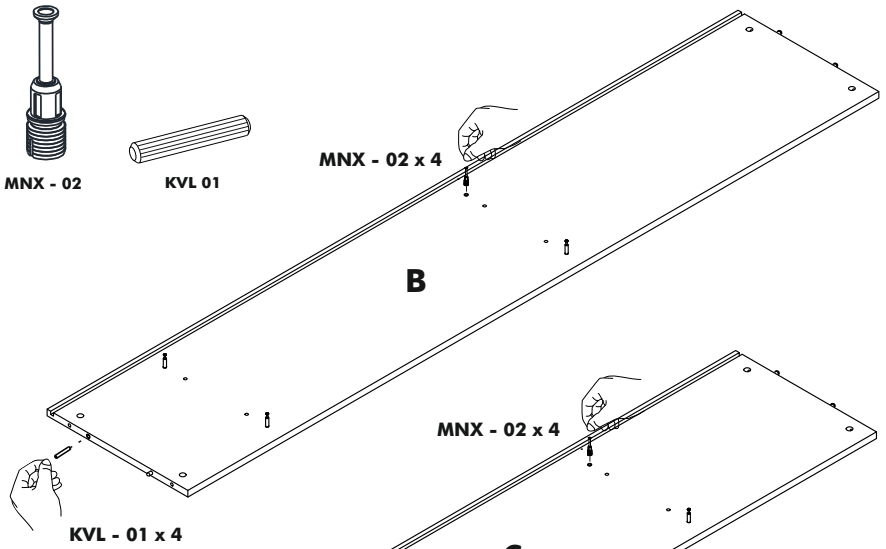
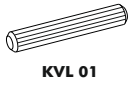
1 / piece

H 01

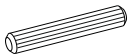


3 / piece

STEP 2

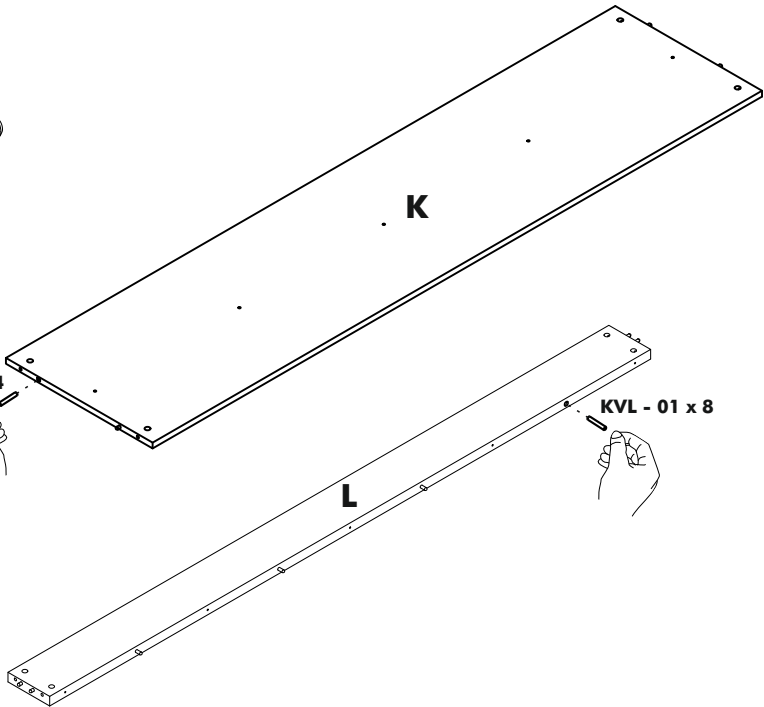


STEP 3

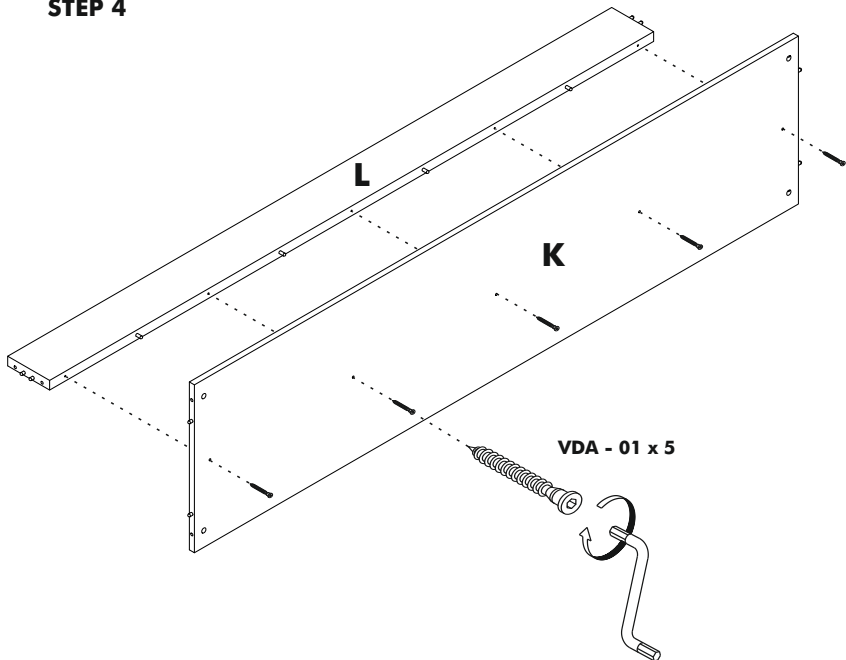


KVL 01

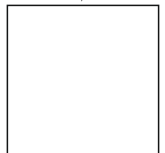
KVL - 01 x 4



STEP 4

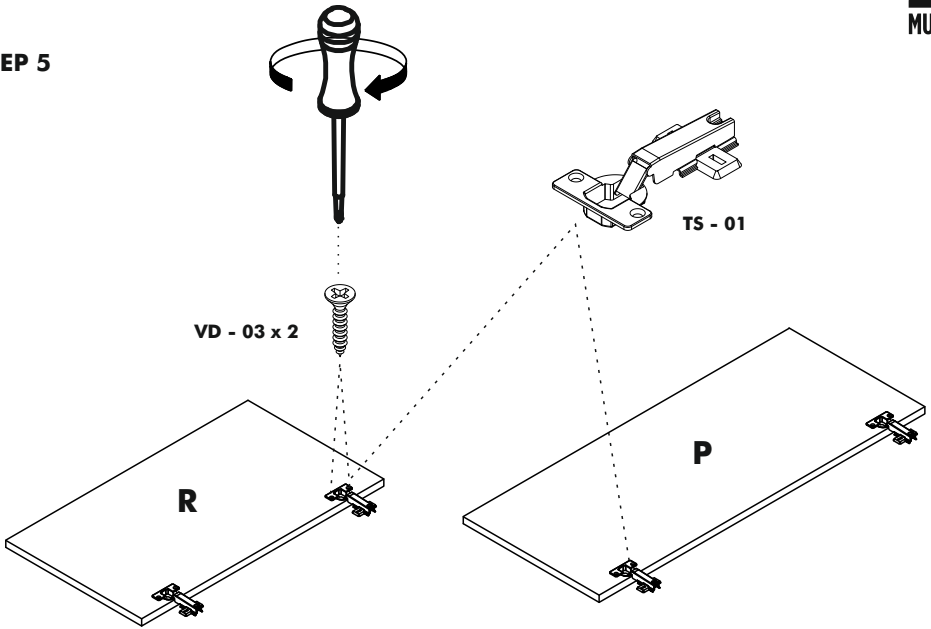


VIDEO

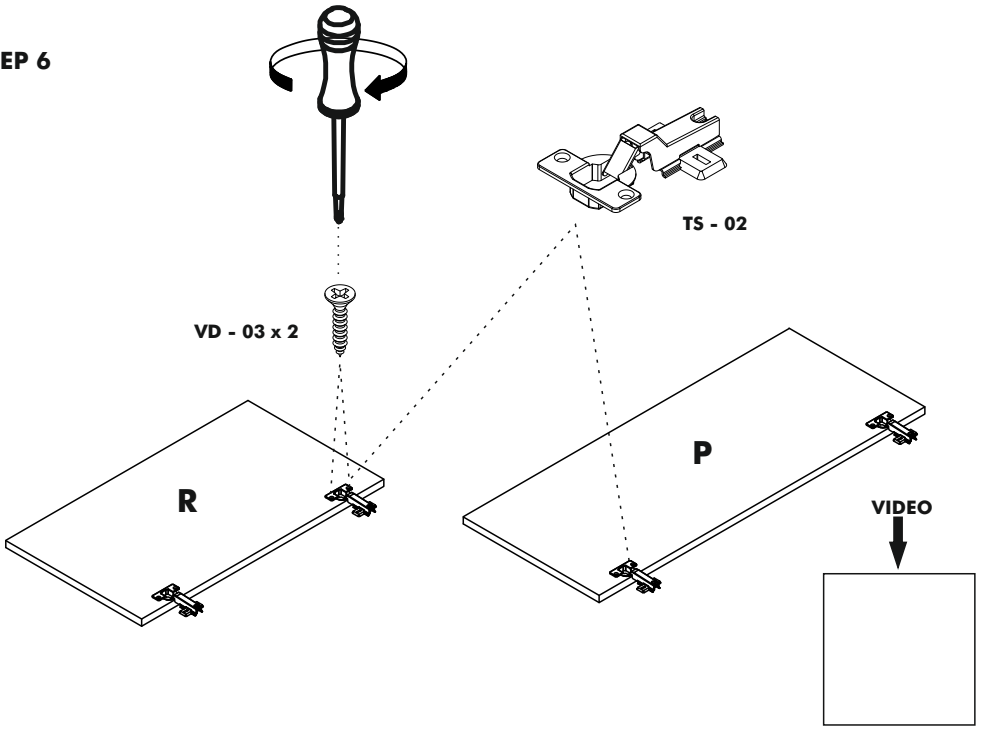


link

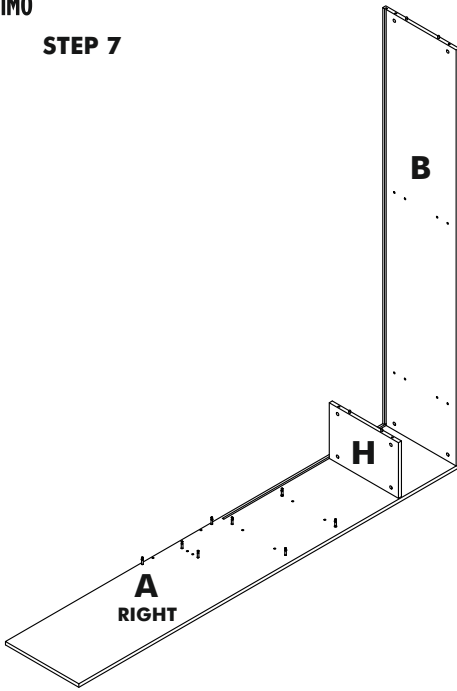
STEP 5



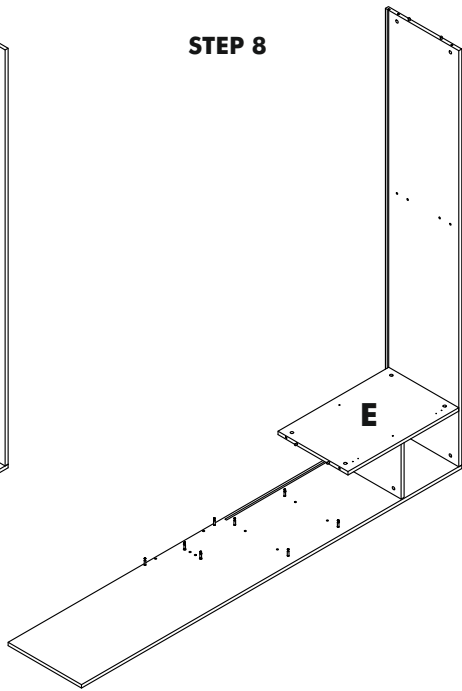
STEP 6



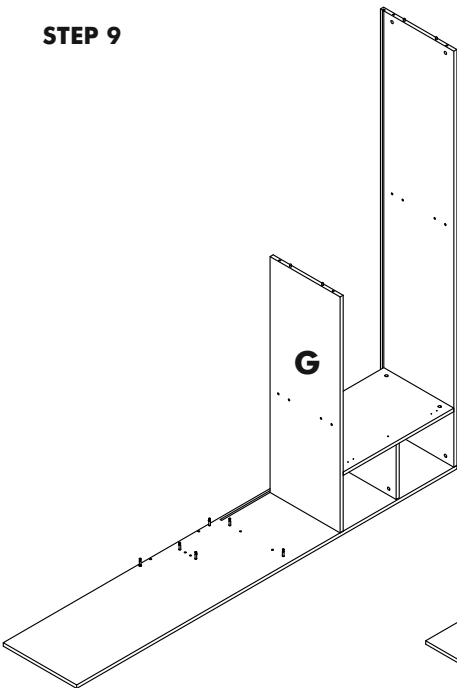
STEP 7



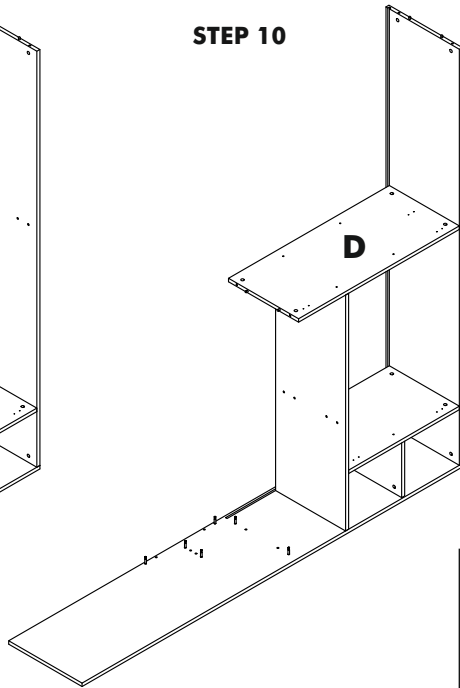
STEP 8



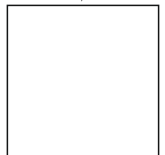
STEP 9



STEP 10

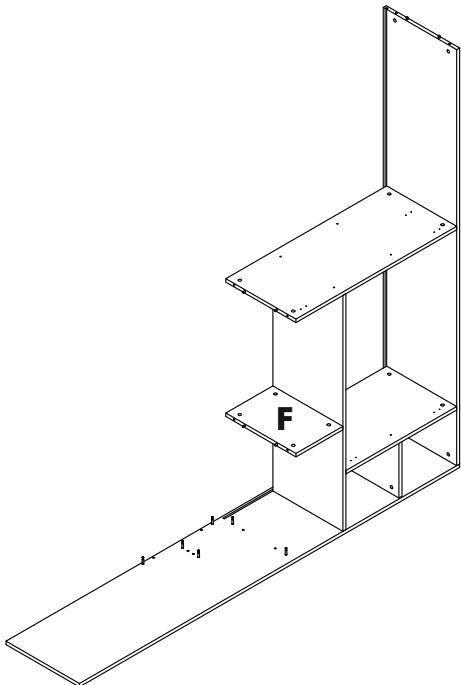


VIDEO

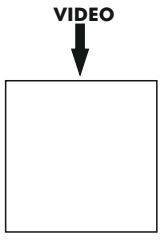
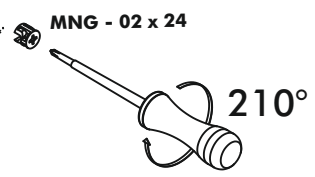
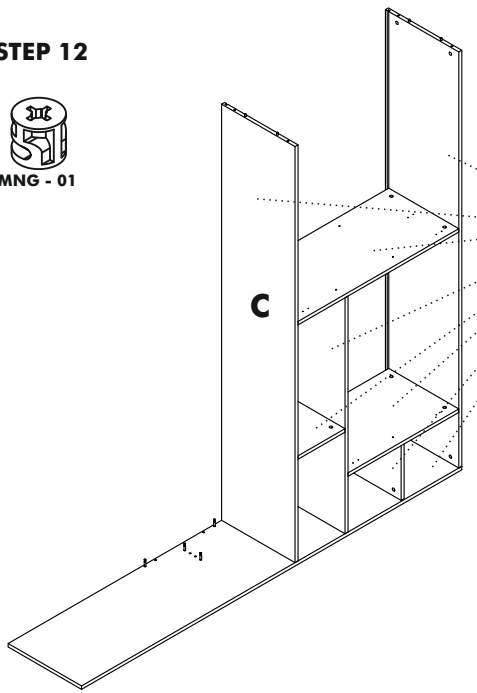


link

STEP 11



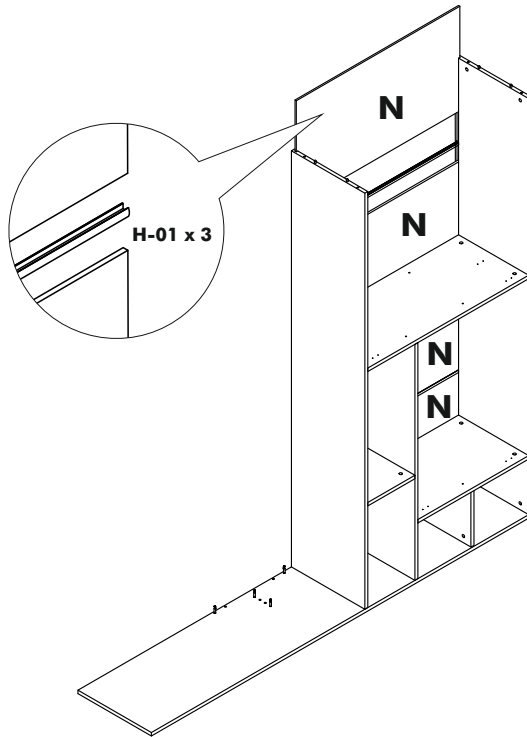
STEP 12



STEP 13



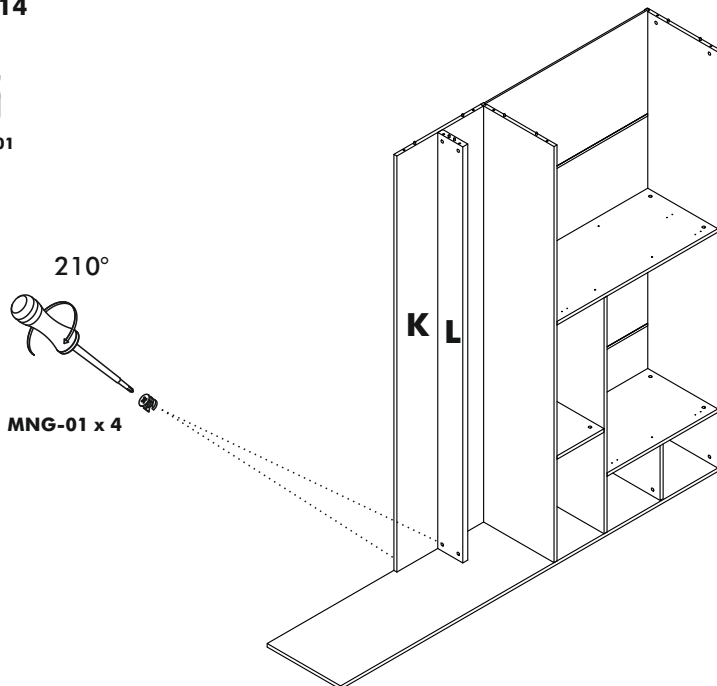
MNG - 01



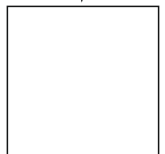
STEP 14



MNG - 01



VIDEO

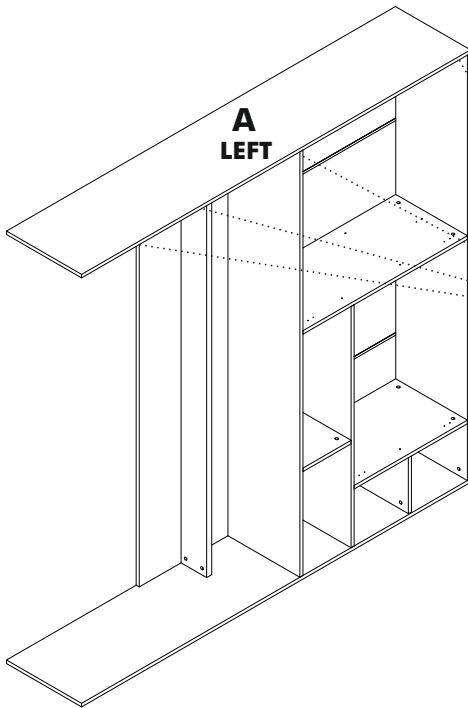


link

STEP 15



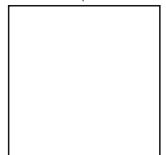
MNG - 01



MNG - 02 x 8

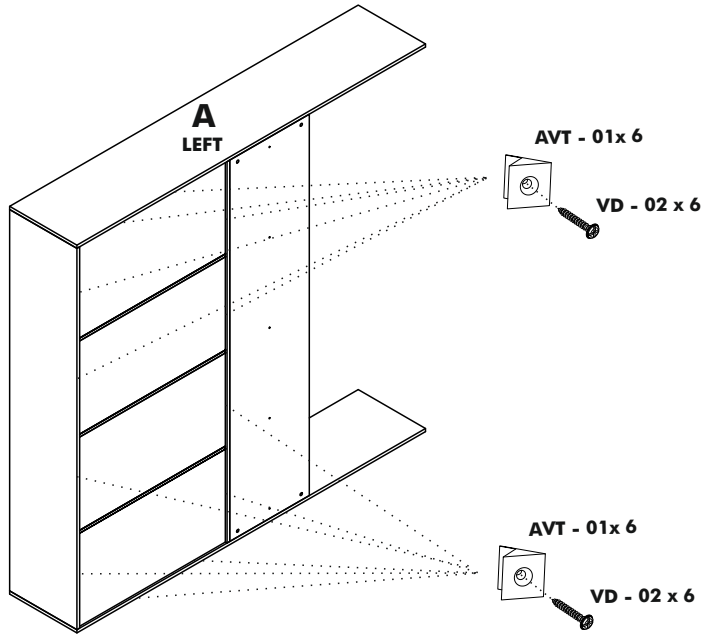


VIDEO

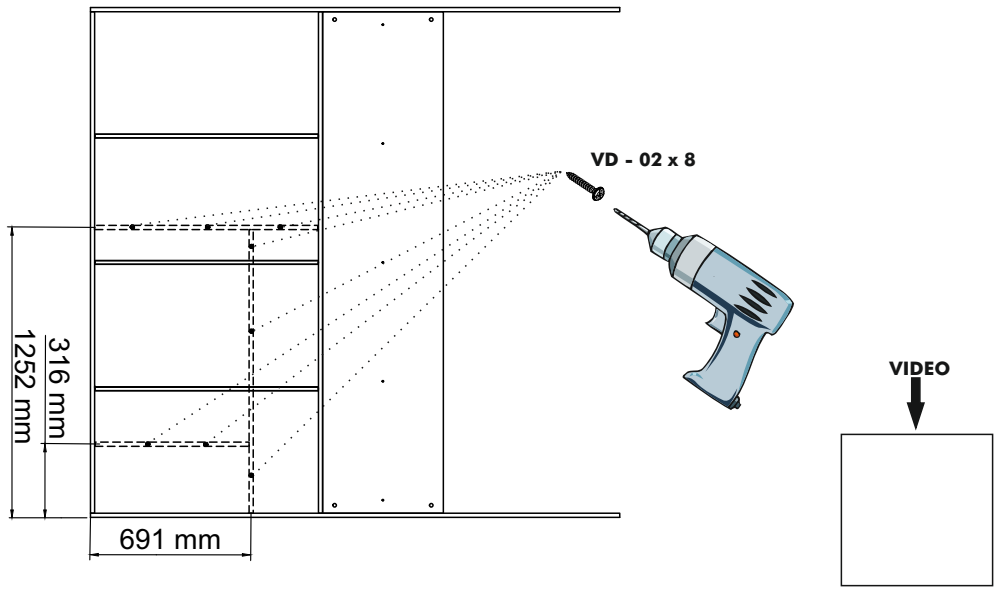


link

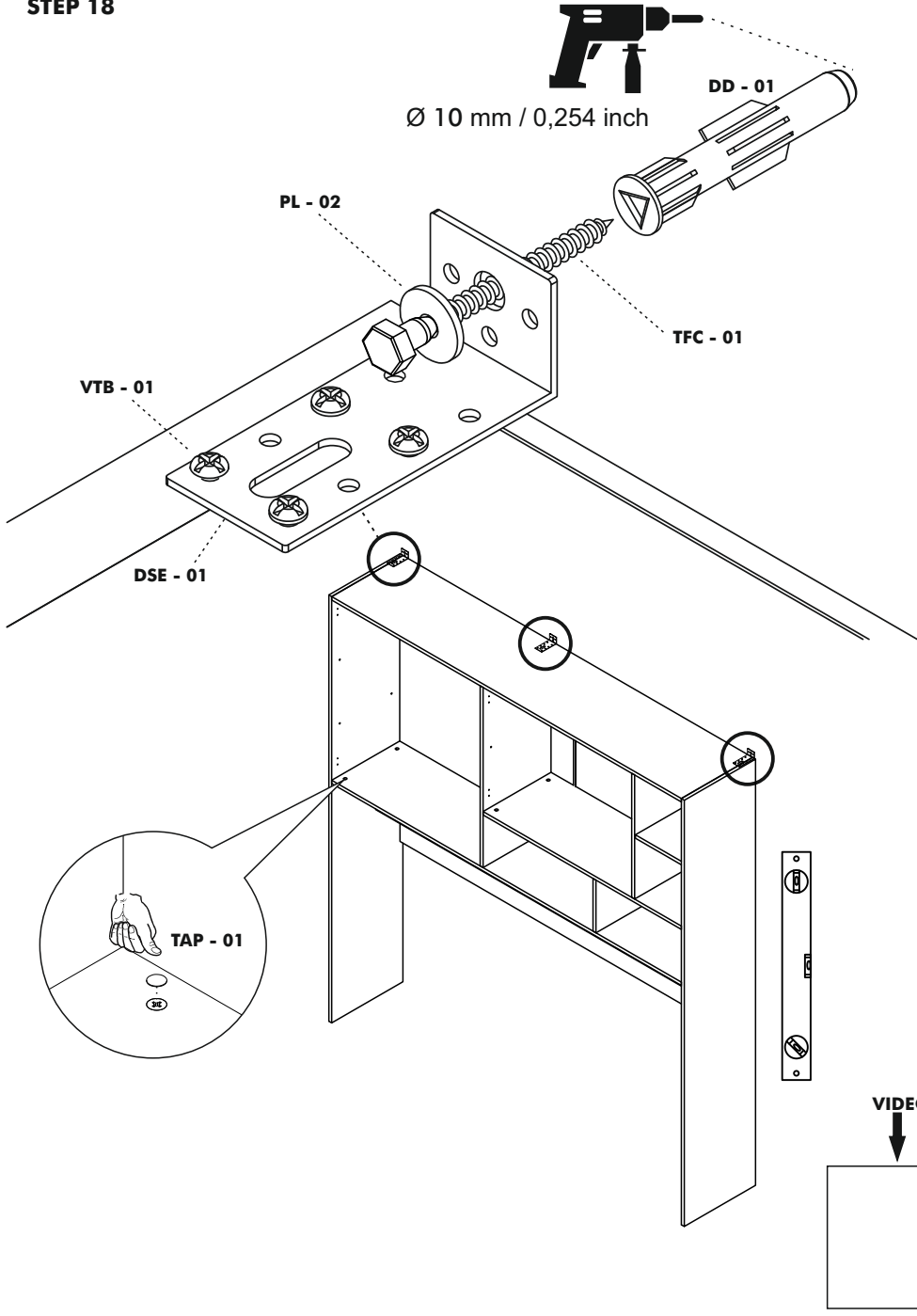
STEP 16



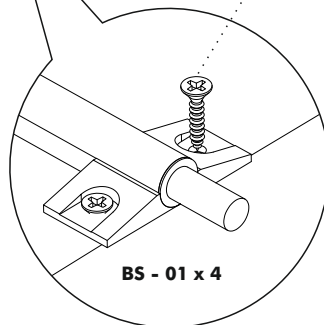
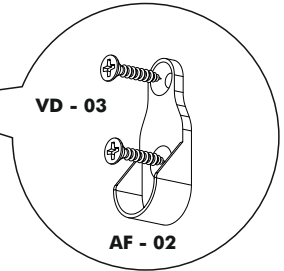
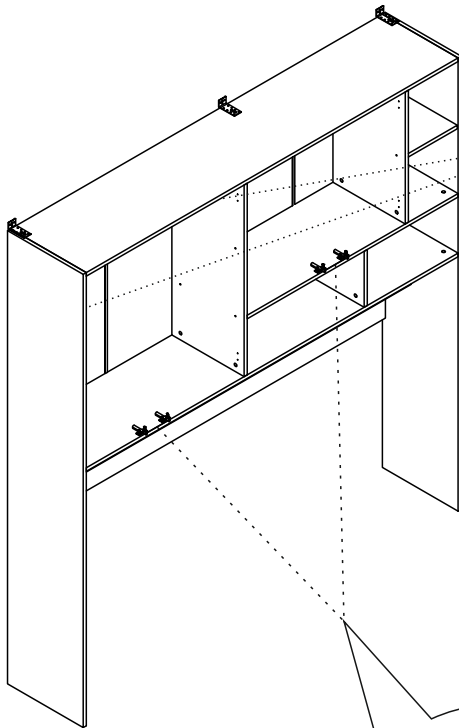
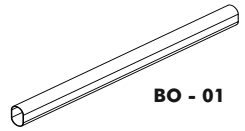
STEP 17



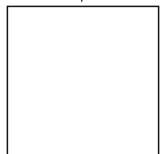
STEP 18



STEP 19

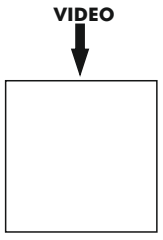
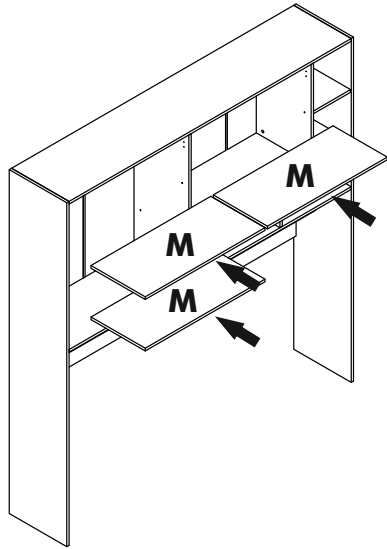
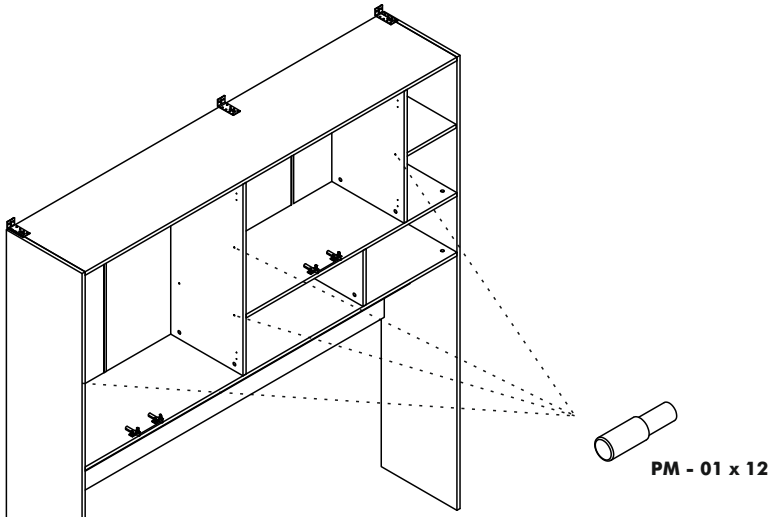


VIDEO

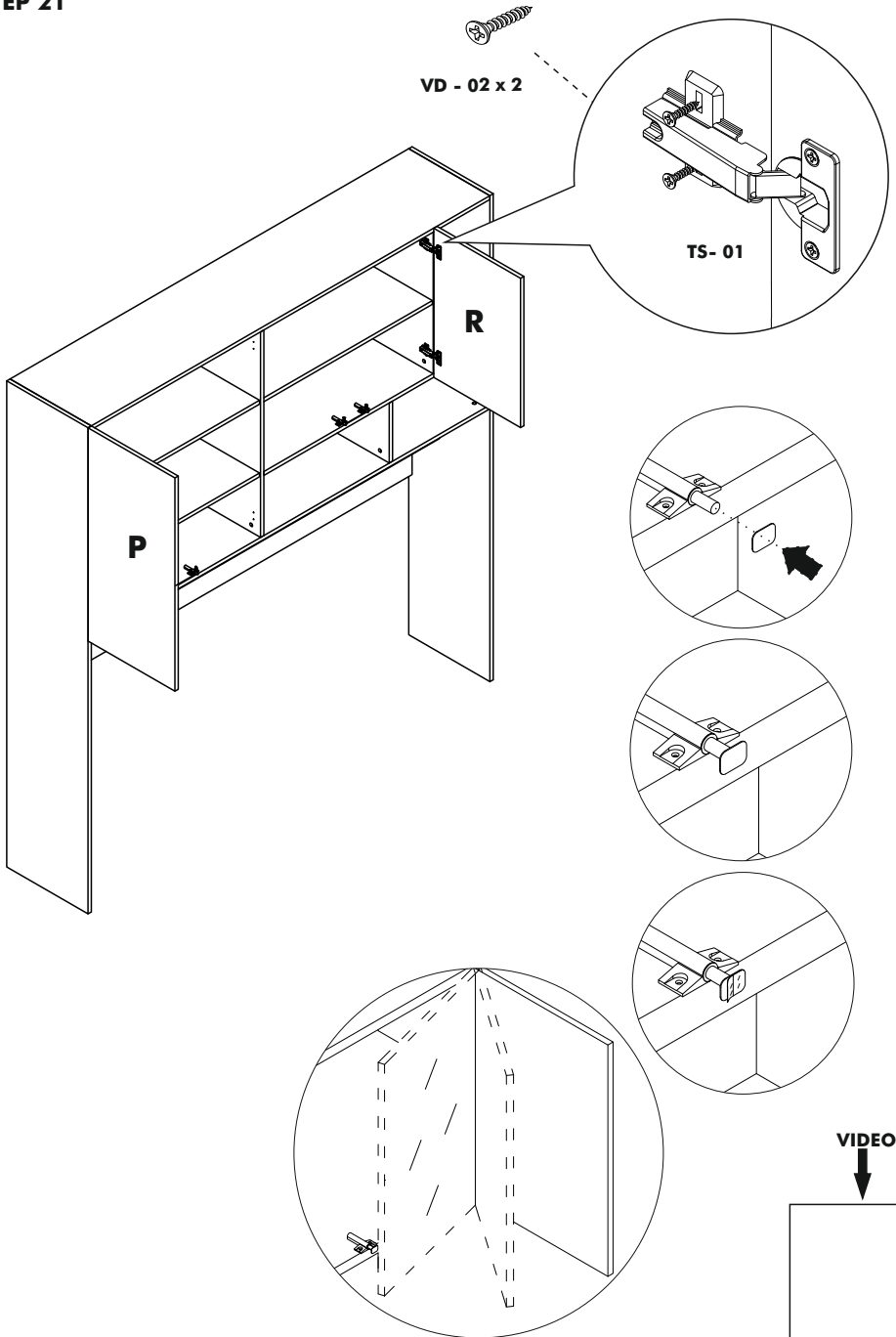


link

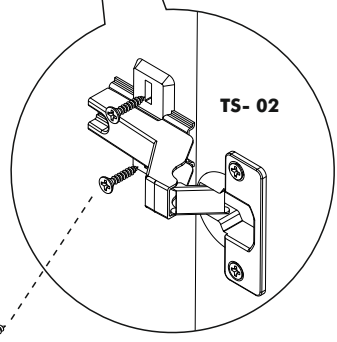
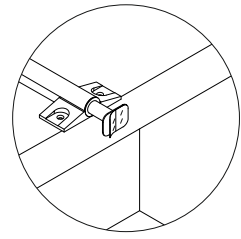
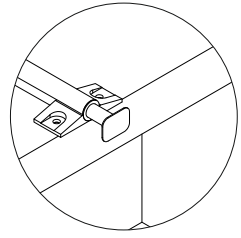
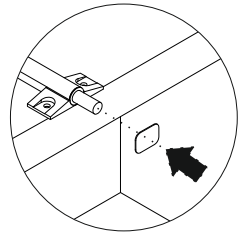
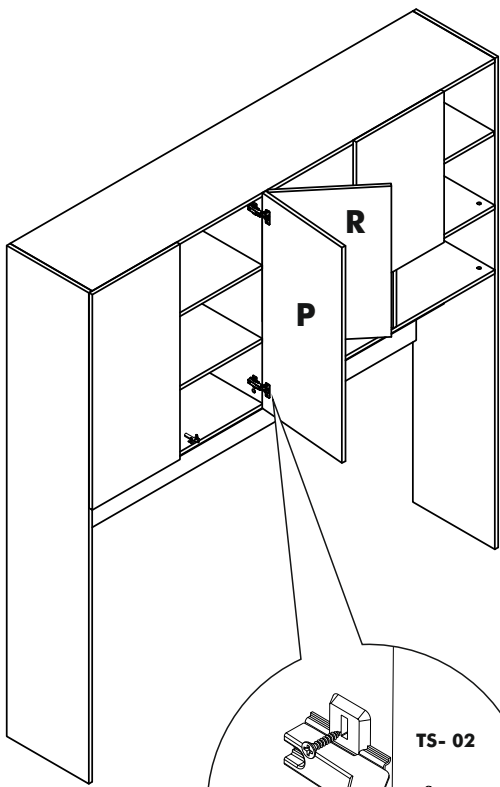
STEP 20



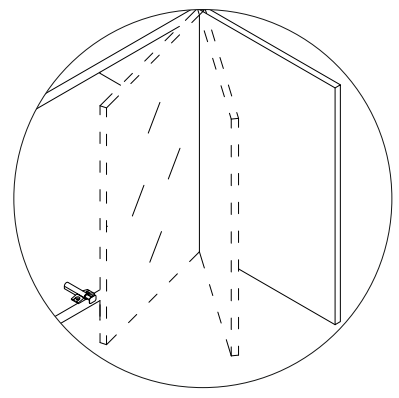
STEP 21



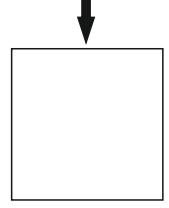
STEP 22



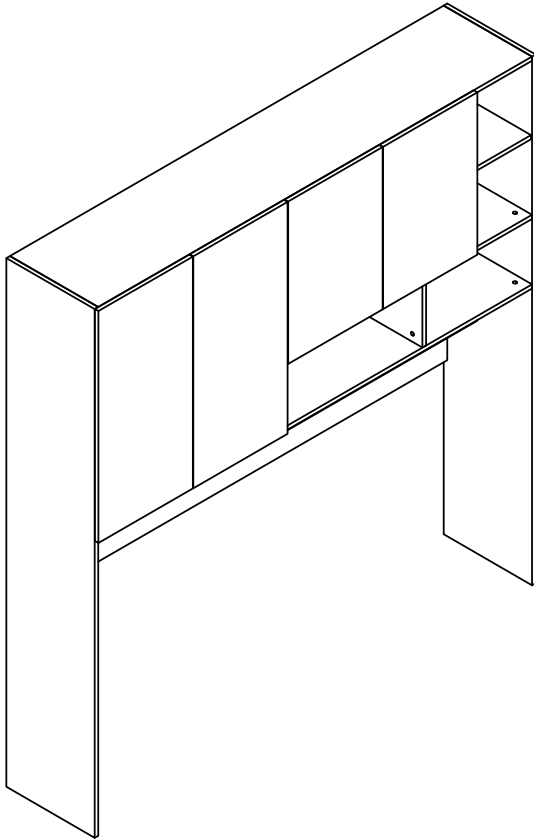
VD - 02 x 2



VIDEO



link



ATTENTION / HOW TO / READ ME / OWNER'S GUIDE

1. When mounting on a regular drywall, furniture must be fastened to wood or metal studs. Solid walls made of brick, concrete or similar strong material are also acceptable. Do not mount furniture to paper-mache or sheet rock like material without properly affixing to stud.
2. For safety and product longevity you must periodically inspect the mounting and mechanical connections for integrity and tightness. Confirm hardware remains properly affixed and connections snug.
3. Wall Bed mattress thickness may not exceed 8 inch. Take care to remove pillows and excess blankets before closing. Doing so keeps mechanism free of obstruction and unnecessary stress.
4. Do not lean or rest heavy objects on side or top of furniture. This may cause balance issues and compromise the integrity of your mounting connections.
5. Please use the furniture's beds, desks and shelving as intended. Not designed to be sat, stood, leaned, jumped (etc) on. Improper use may cause personal injury and damage to property.
6. With seasonal humidity change you must inspect interior and exterior of furniture.
7. Single, Twin, Twin XL beds accommodate the weight of one person. Improperly sleeping more than one person risks injury to person and damage to property.
8. Before any un-mounting or disassembly please contact Multimo for technical support and instruction. Failure to properly detach risks injury to person and damage to property.
9. For Bunk Beds:
 - a. Always use provided ladder when accessing top bunk.
 - b. Be slow, careful and aware of surroundings when opening top bunk.
 - c. Do not horseplay. Beds are to be slept on only.
 - d. Some have legs that fully extend when open- be aware of where the leg is and will be.



www.multimobeds.com