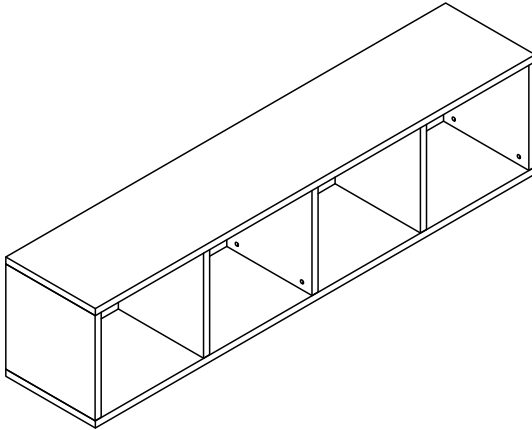




# MULTIMO

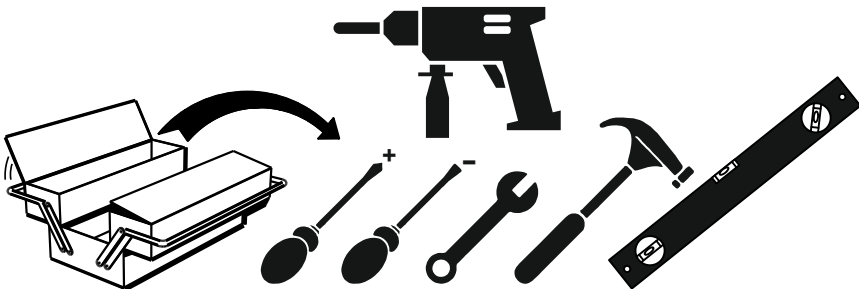
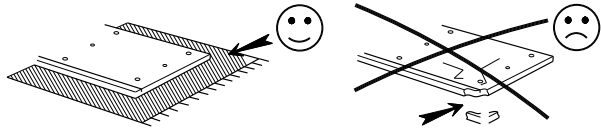
## A 219 HORIZONTAL SHELF



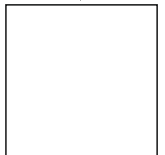
Technical Service



End User



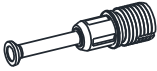

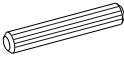

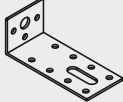
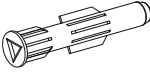
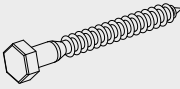



VIDEO

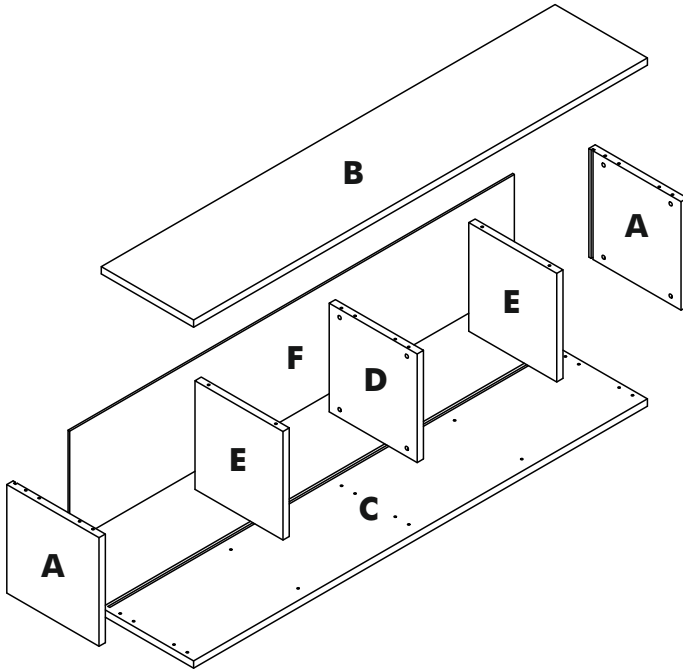


link

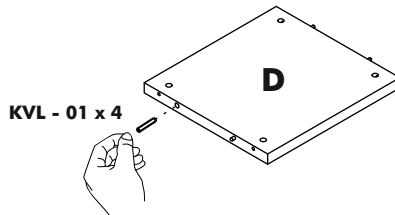
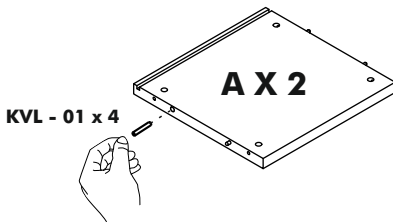
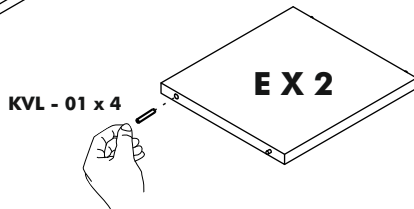
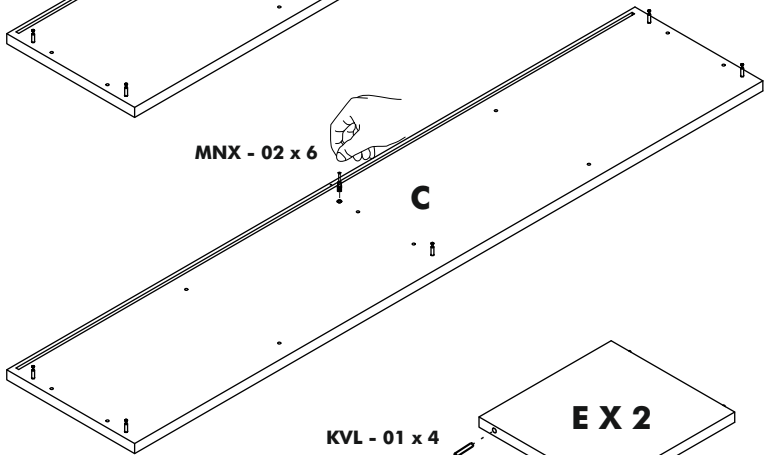
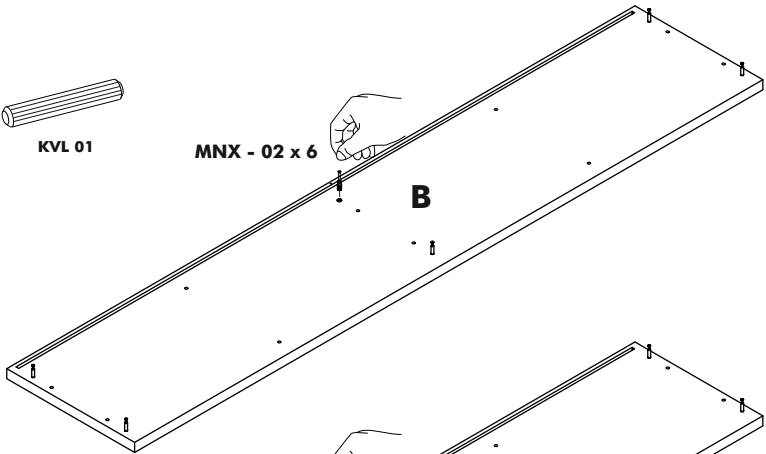
Track Title	Piece	(inch)			(mm)			
		Thickness	Length	Width	Piece	Thick	Height	Most
A		1,18	17,64	17,28	2	30	448	439
B		1,18	85,12	17,32	1	30	2162	440
C		1,18	85,12	17,32	1	30	2162	440
D		1,18	17,64	16,50	1	30	448	419
E		1,18	17,64	16,50	2	30	448	419
E		0,31	18,27	83,39	1	8	464	2118

### Accessories List

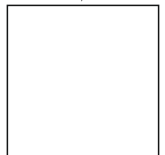
<p><b>MNX 02</b></p>  <p><b>12 / piece</b> DSE - 01 (40x90x32) mm</p>	<p><b>MNG - 01</b></p>  <p><b>12 / piece</b> DD - 01 ( R10 )</p>	<p><b>KVL 01</b></p>  <p><b>20 / piece</b> TFC - 01(8x70) mm</p>	<p><b>TAP - 01</b></p>  <p><b>12 / piece</b> PL - 02 (8x22x1) mm</p>
<p><b>DSE - 01 (40x90x32) mm</b></p>  <p><b>3 / piece</b> VTB - 01 (4,8x16) mm</p>	<p><b>DD - 01 ( R10 )</b></p>  <p><b>3 / piece</b> VD - 02 (3,5x25) mm</p>	<p><b>TFC - 01(8x70) mm</b></p>  <p><b>3 / piece</b></p>	<p><b>PL - 02 (8x22x1) mm</b></p>  <p><b>3 / piece</b></p>
<p><b>VTB - 01 (4,8x16) mm</b></p>  <p><b>12 / piece</b></p>	<p><b>VD - 02 (3,5x25) mm</b></p>  <p><b>6 / piece</b></p>		



**STEP 1**



**VIDEO**

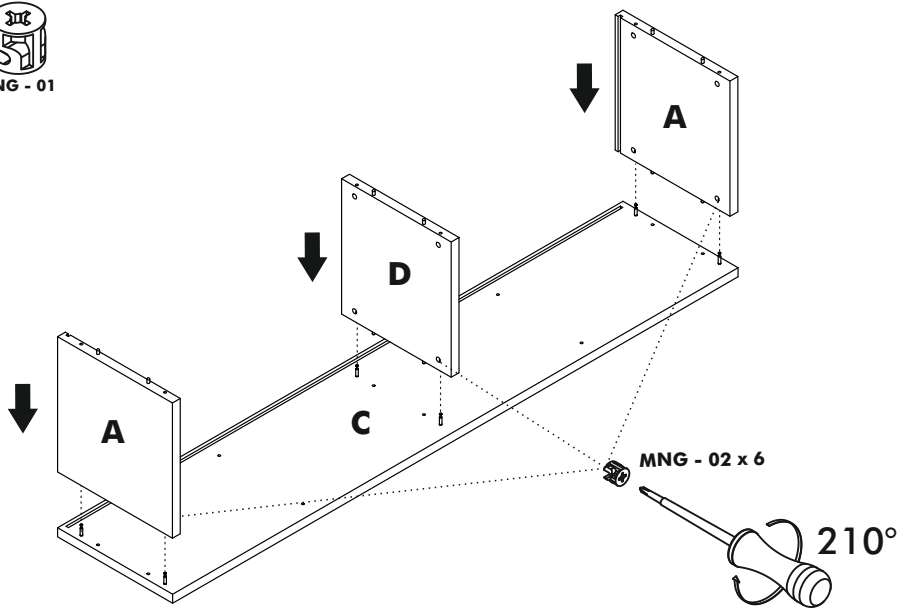


link

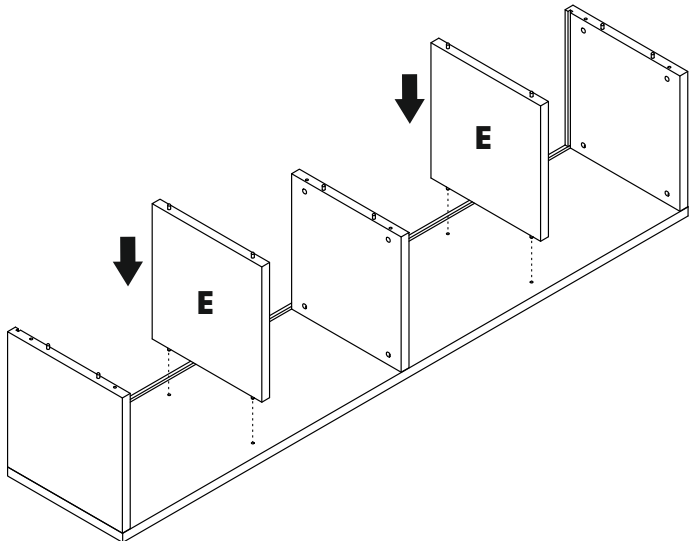
**STEP 2**



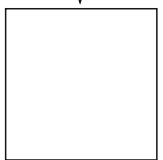
MNG - 01



**STEP 3**



**VIDEO**

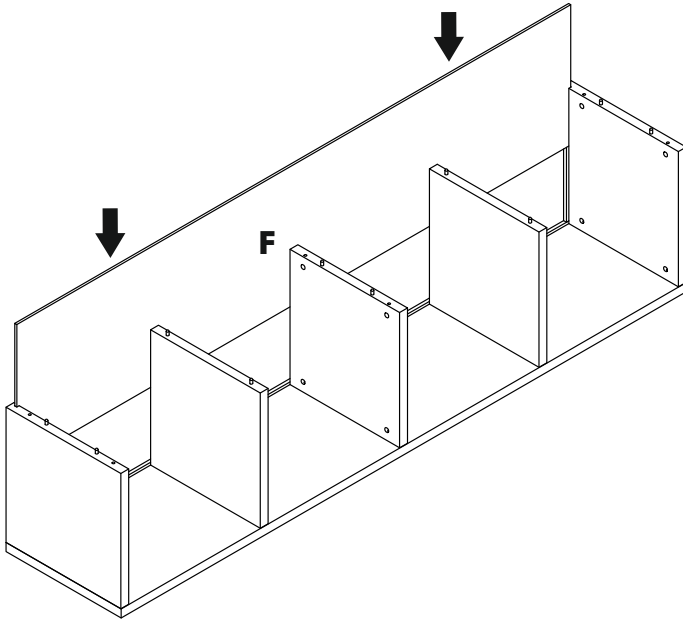


link

**STEP 4**



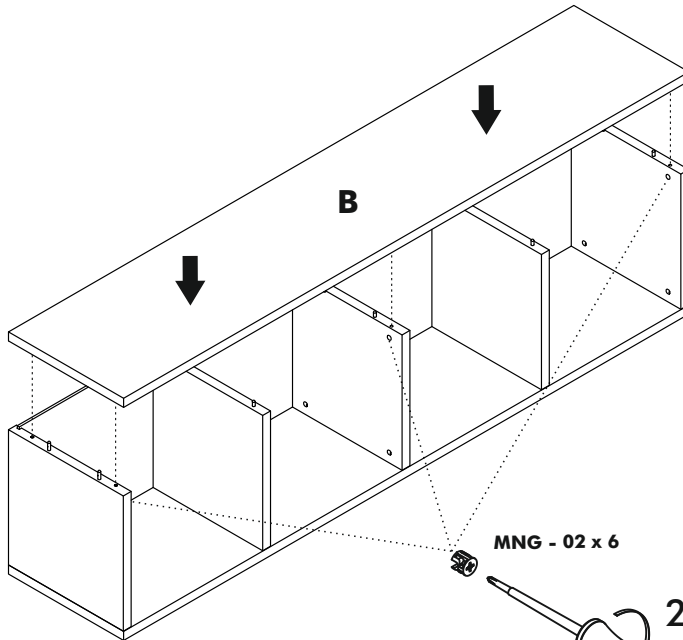
MNG - 01



**STEP 5**

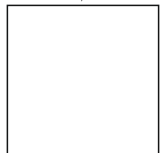


MNG - 01



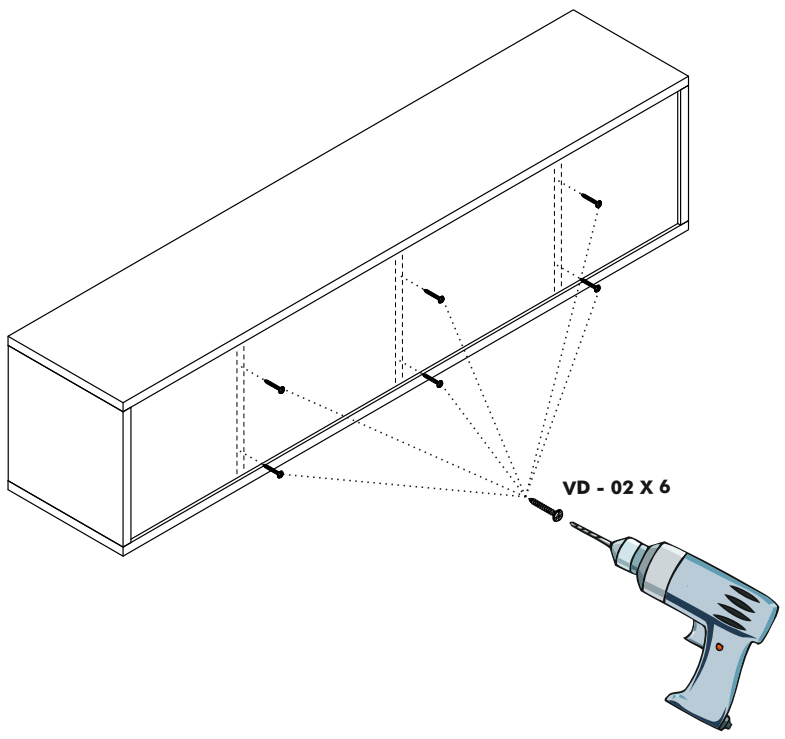
VIDEO

210°

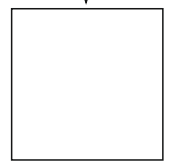


link

**STEP 6**



**VIDEO**



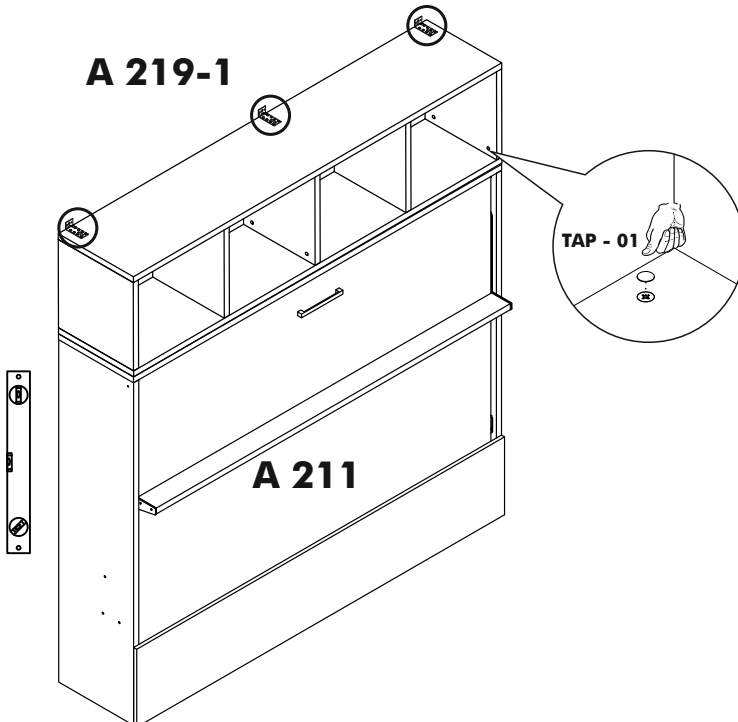
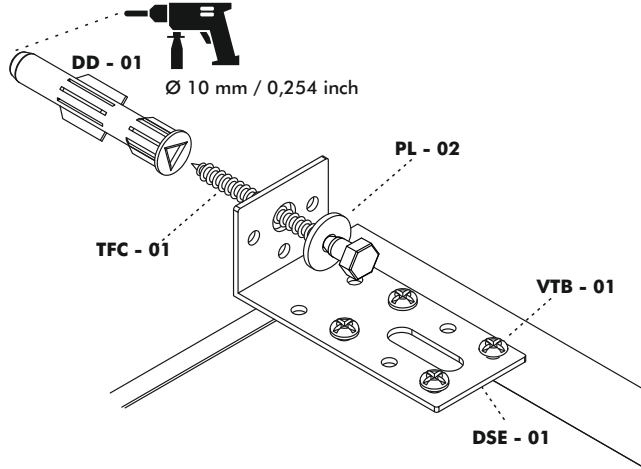
link



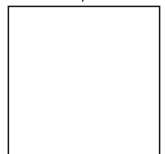
**ATTENTION!!!**

**STEP 7**

Must be secured to the wall made of brick, concrete or similarly strong material.  
Mounting to wooden or metal studs is also acceptable.  
Do not mount directly to sheetrock or paper-mache type walls not supported by studs.



**VIDEO**

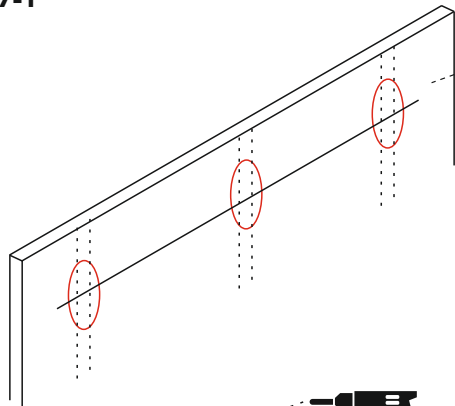


link



# WALLS MADE OF DRYWALL WITH WOODEN OR METAL STUDS

## STEP 7-1



Ø 10 mm / 0,254 inc



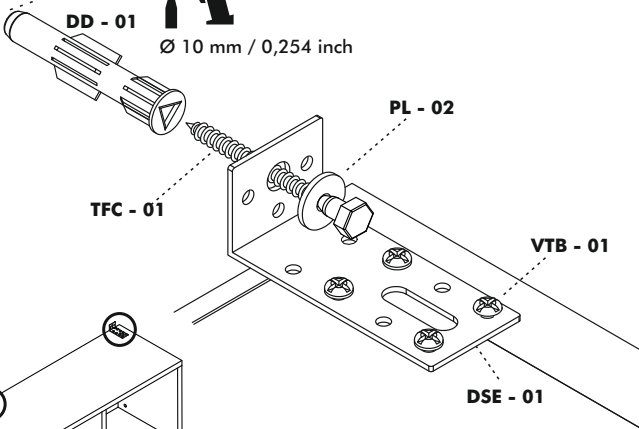
FIRST LOCATE THE STUDS BY USING "STUD FINDER" IN THE WALL AND DRILL IT ACCORDING TO THE HEIGHT MEASUREMENTS GIVEN ON THE SIDE.

UPPER HOLES SHOULD BE DRILLED FOR ATTACHING BED AT NEXT STEP.



DD - 01

Ø 10 mm / 0,254 inch



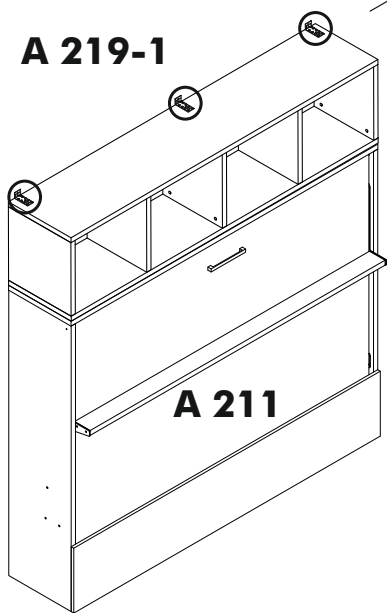
PL - 02

TFC - 01

VTB - 01

DSE - 01

**A 219-1**

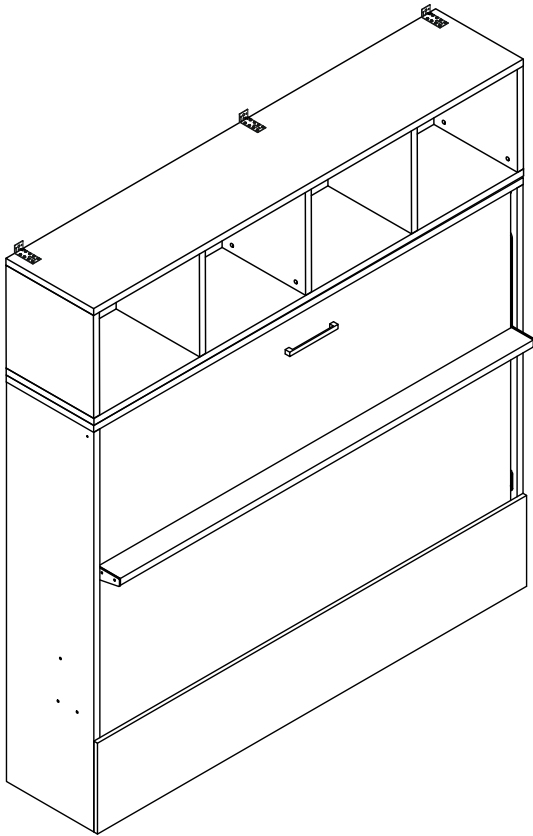


**A 211**

### NOT INCLUDED

SUPPLY DRYWALL FASTENERS APPROPRIATE TO YOUR WALL TYPE. WE RECOMMEND USING STEEL TOGGLE BOLT ANCHOR THAT SHOWN BELOW





ATTENTION / HOW TO / READ ME / OWNER'S GUIDE

1. Cabinets must be securely attached either to the wall and / or side of the wall bed. Hardware is included
2. When mounting to drywall, use appropriate fasteners, such as toggle bolts or attach to wooden or metal studs. Please choose appropriate fasteners for the type of wall and / or studs the cabinet will be mounted on. Drywall mounting fasteners are not included.
3. For safety and product longevity you must periodically inspect the integrity and tightness of the mounting and mechanical connections. Confirm hardware remains properly affixed and connections are snug.
4. Do not lean or rest heavy objects on sides or top of furniture. This may cause balance issues and compromise the integrity of your mounting connections.
5. Please use cabinet shelves and clothes rails as intended. Do not place extremely heavy items on shelves and / or drawers. Improper use may cause personal injury and damage to property.
6. With seasonal humidity change please inspect the interior and exterior of the furniture for deformation and/or discoloration.
7. Before any un-mounting or disassembly please contact Multimo Beds for technical support and instructions. Failure to properly detach may result in personal injury and damage to property.



## WARRANTY

### RETAIL RESIDENTIAL TERM

Lifetime guarantee on hardware.  
**5 year** structural guarantee on cabinetry.

---

### COMMERCIAL TERM

Lifetime guarantee on hardware.  
**2 year** structural guarantee on cabinetry.



[www.multimobeds.com](http://www.multimobeds.com)