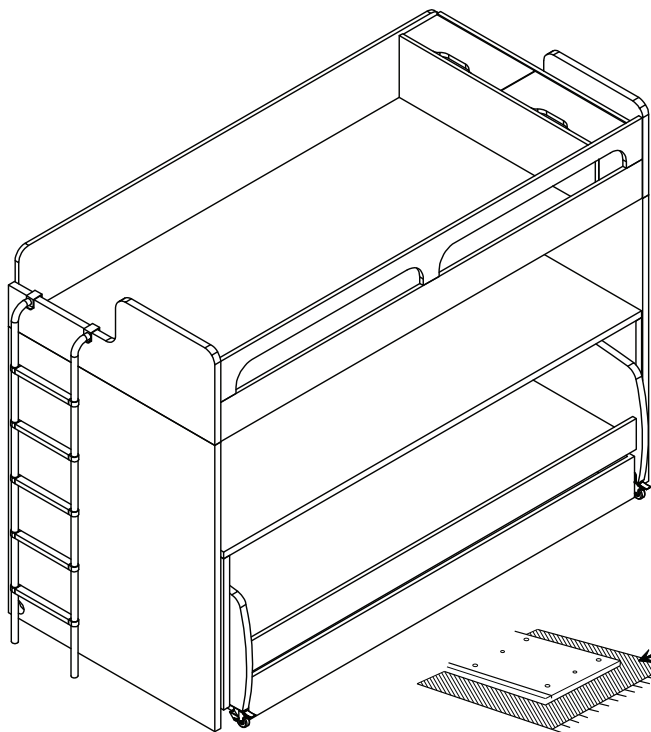




MULTIMO

A 216 BEL MONDO SET



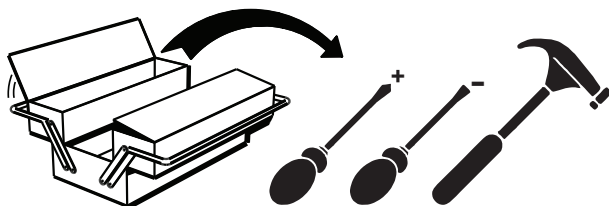
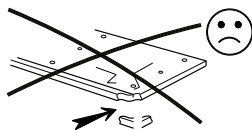
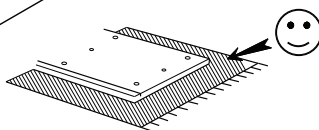
3 hours

Technical Service



6 hours

End User



VIDEO



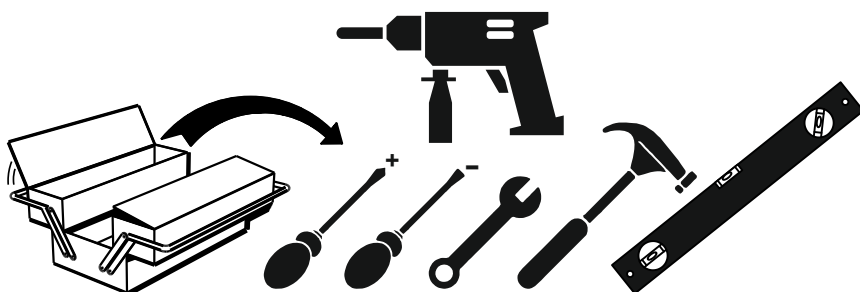
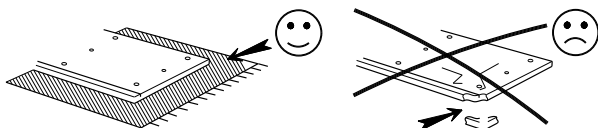
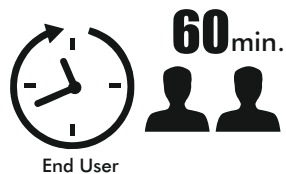
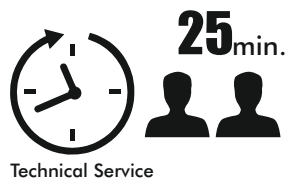
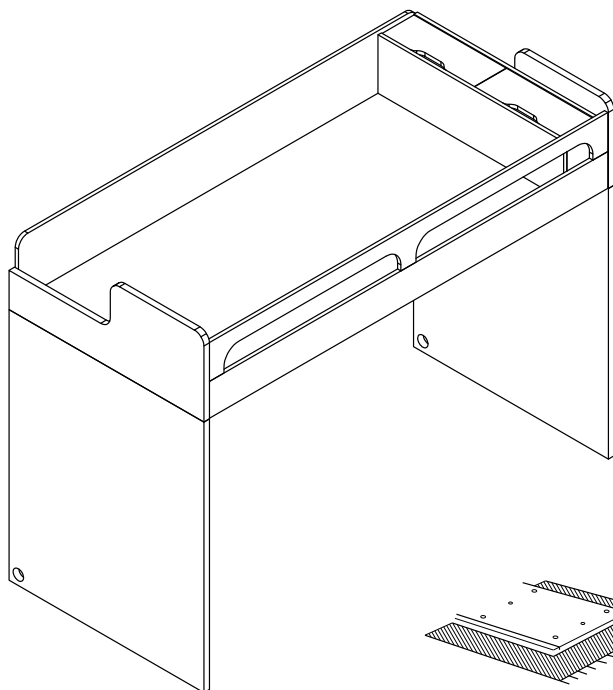
<https://www.youtube.com/watch?v=0X95yl7rvN8>

Assembly Instructions



MULTIMO

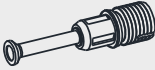


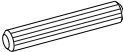

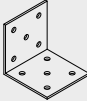
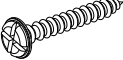


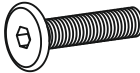

A 216B- BEL MONDO BUNK

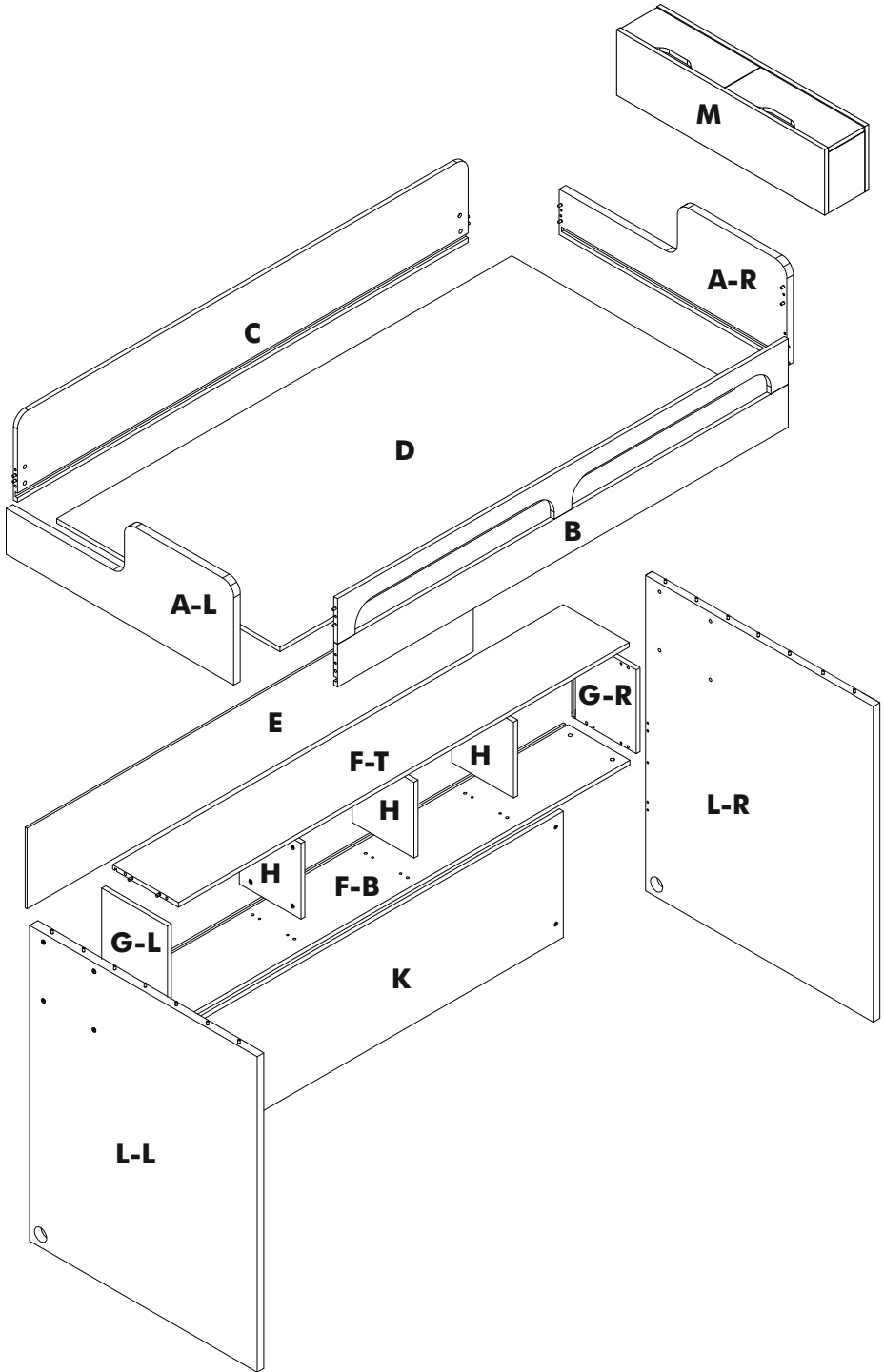


<https://www.youtube.com/watch?v=0X95yl7rvN8>

Track Title	Piece	(inch)			(mm)			
		Thickness	Length	Width	Piece	Thick	Height	Most
A		1,18	15,75	40,94	2	30	400	1040
B		0,71	83,78	13,78	1	18	2128	350
C		0,71	83,78	13,39	1	18	2128	340
D		0,71	84,41	40,00	1	18	2144	1016
E		0,31	83,03	12,48	1	8	2109	317
F		0,71	82,36	11,81	2	18	2092	300
G		0,71	13,23	11,89	2	18	336	302
H		0,71	11,81	10,94	3	18	300	278
K		0,71	83,78	22,83	1	18	2128	580
L		1,18	49,21	40,94	2	30	1250	1040
M		10,63	38,98	8,27	1	270	990	210

Accessories List

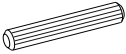
MNX 02  34 / piece	MNG - 01  34 / piece	TAP - 01  46 / piece	KVL 01  50 / piece
VTB - 01 (4,8x16) mm  48 / piece	KB - 01  6 / piece	VD - 02 (3,5x25) mm  12 / piece	AVT - 01  6 / piece
MRD 01  1 / piece	CT - 03 (6x50) mm  8 / piece	BU - 01  2 / piece	



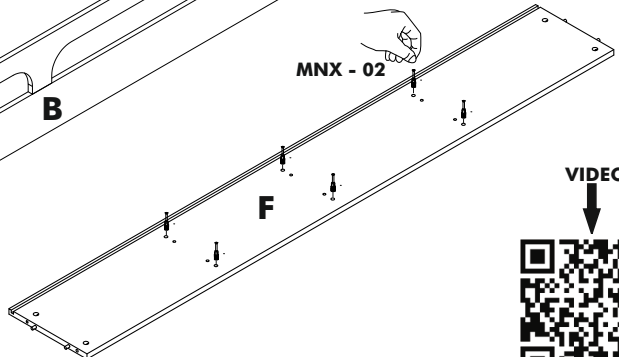
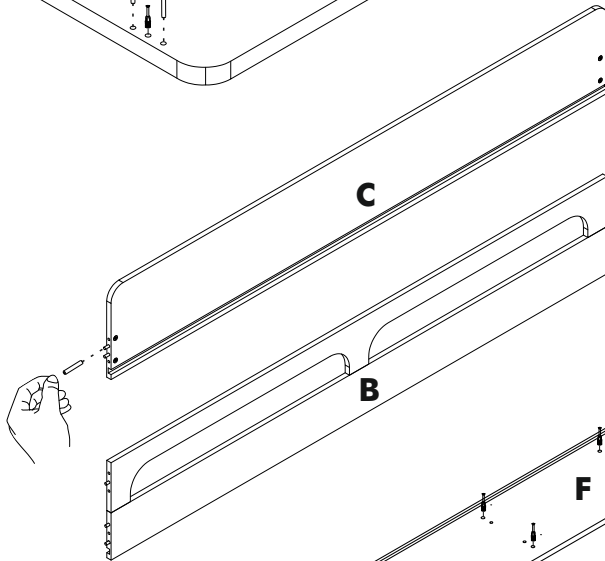
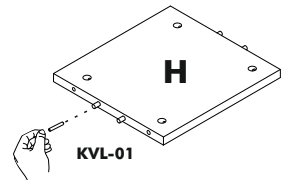
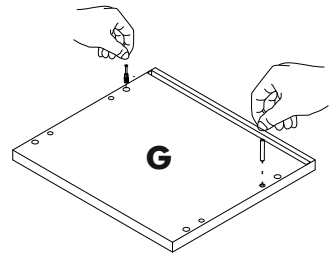
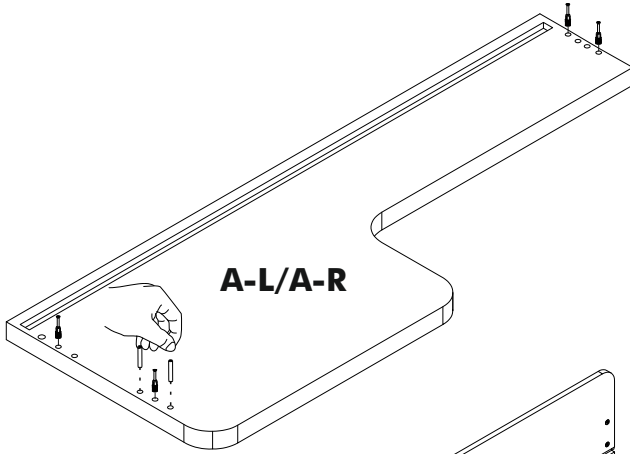
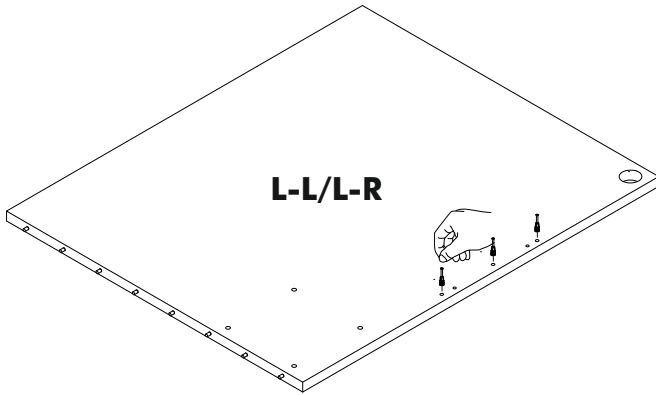
STEP 1



MNX - 02



KVL 01



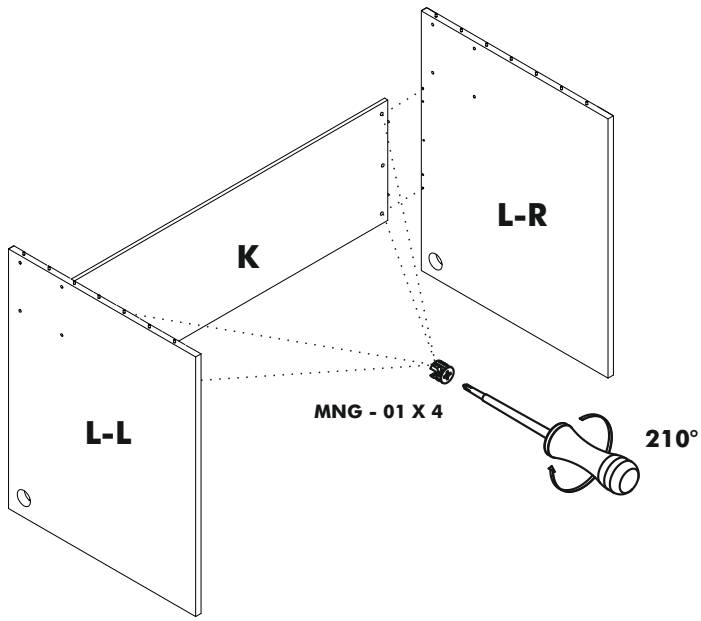
VIDEO



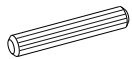
STEP 2



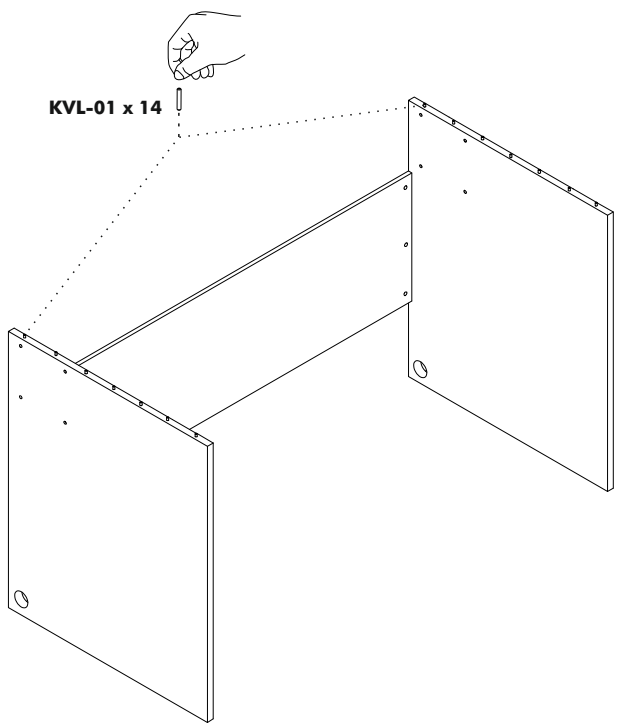
MNG - 01



STEP 3



KVL 01



VIDEO

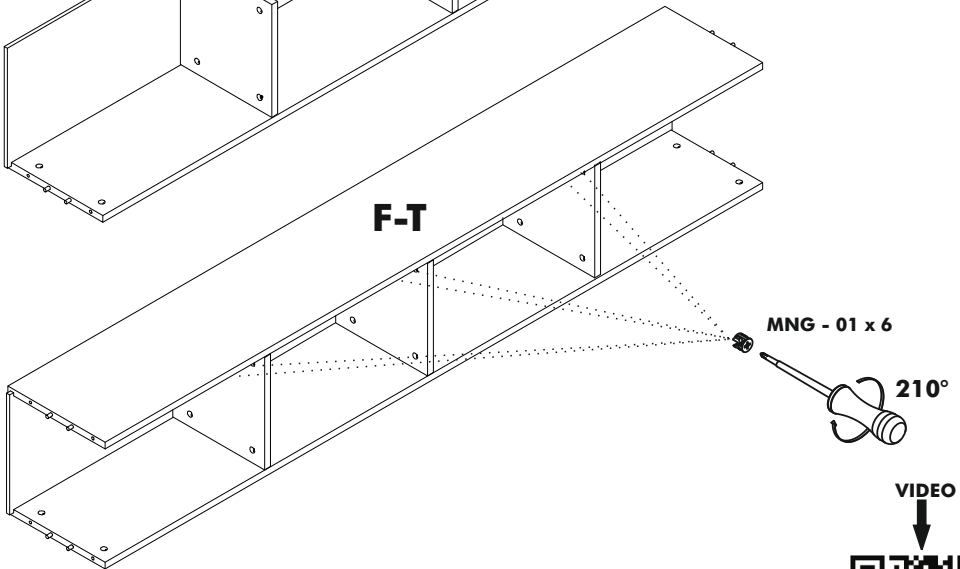
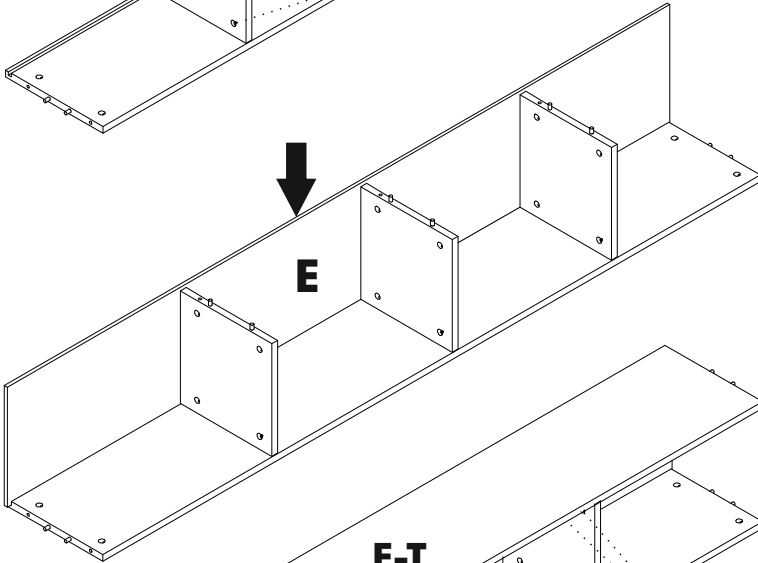
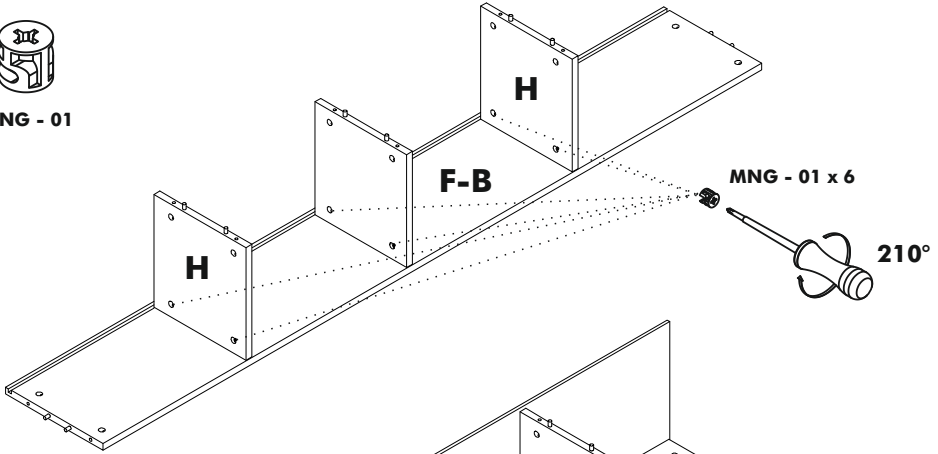


<https://www.youtube.com/watch?v=0X95yl7rvN8>

STEP 4



MNG - 01



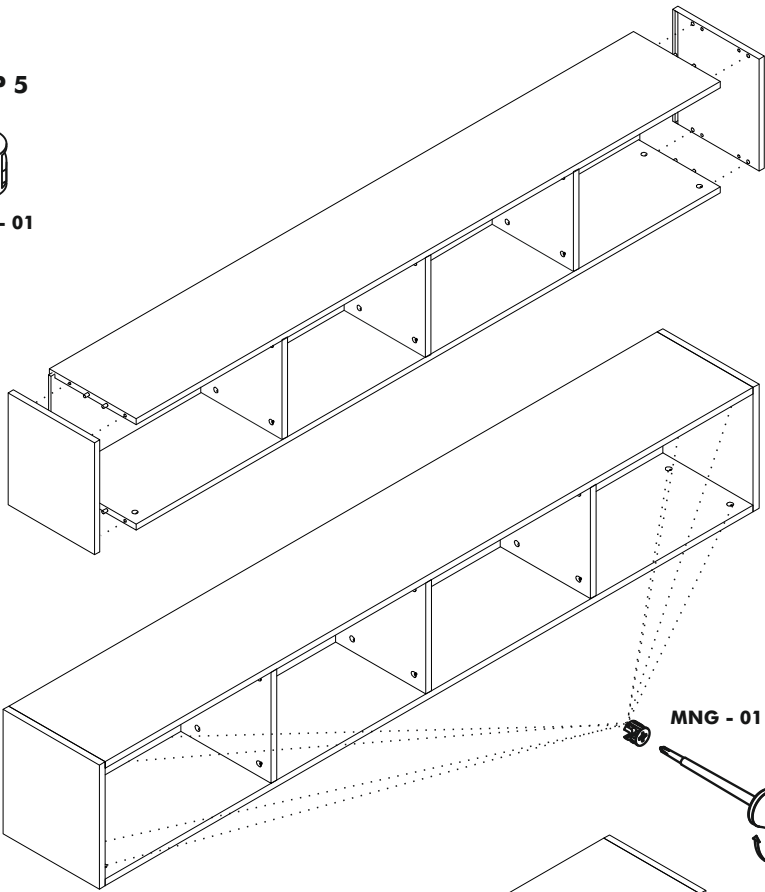
VIDEO



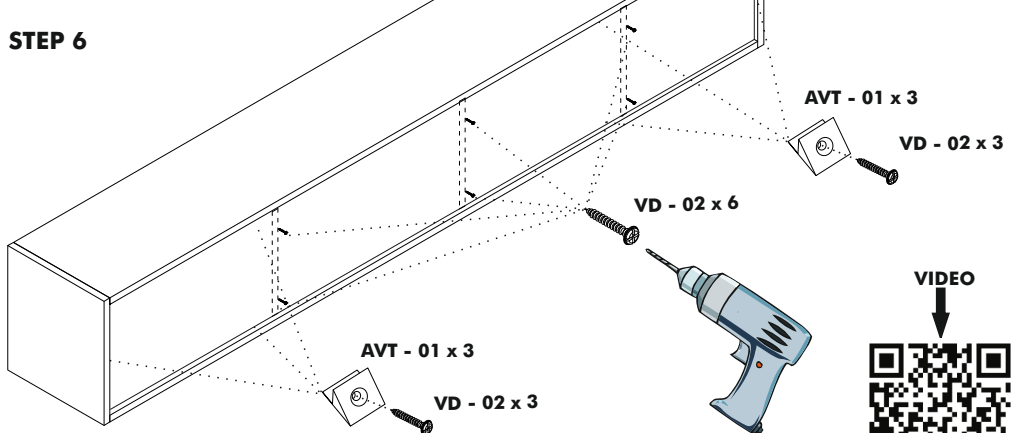
STEP 5



MNG - 01



STEP 6



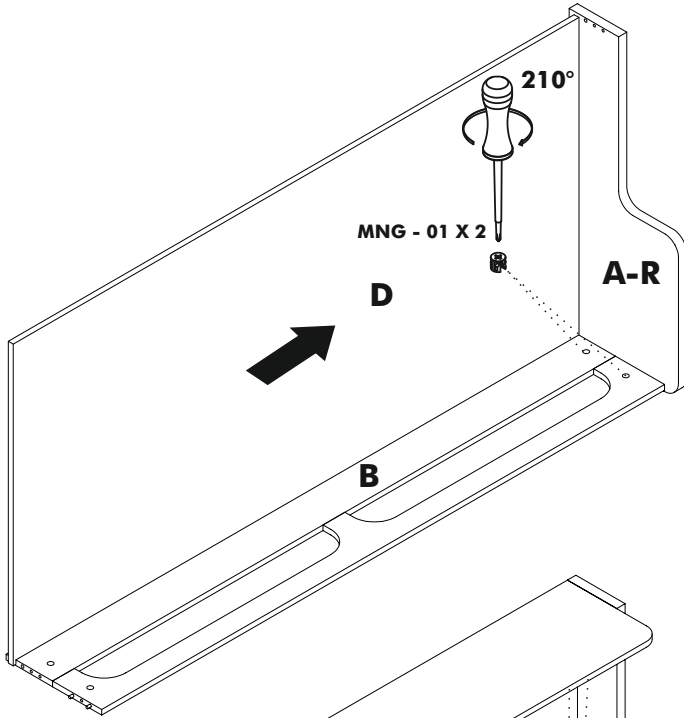
VIDEO



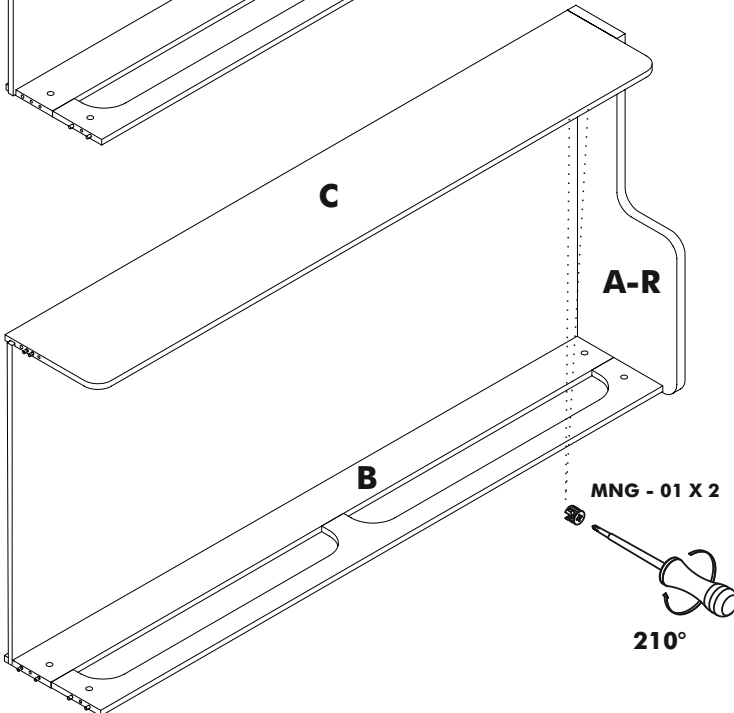
STEP 7



MNG - 01



STEP 8



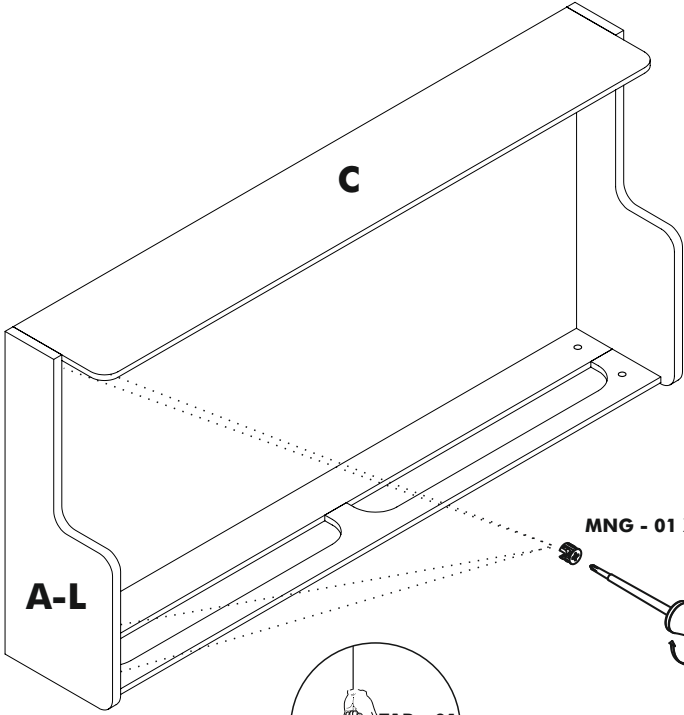
VIDEO



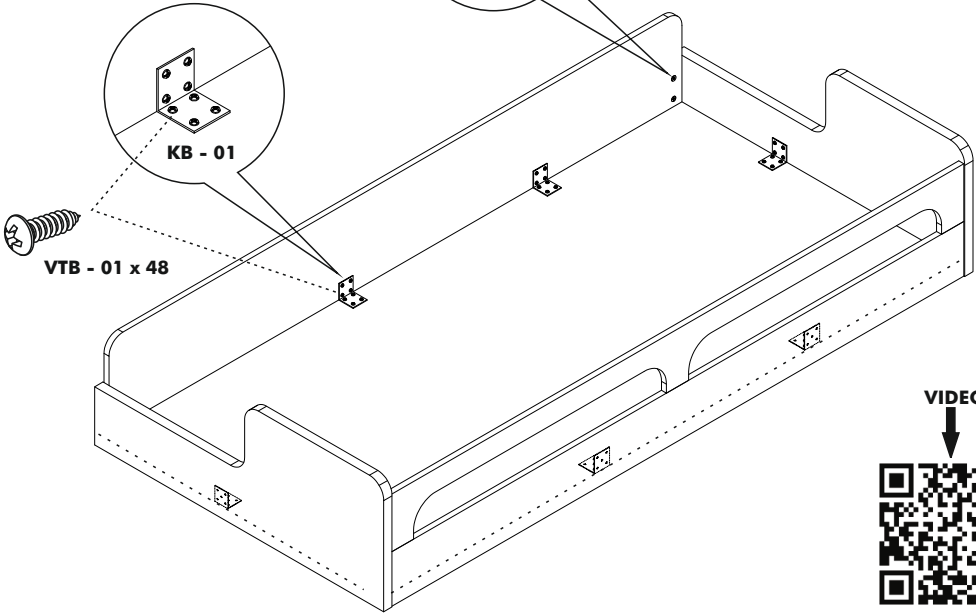
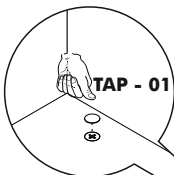
STEP 9



MNG - 01



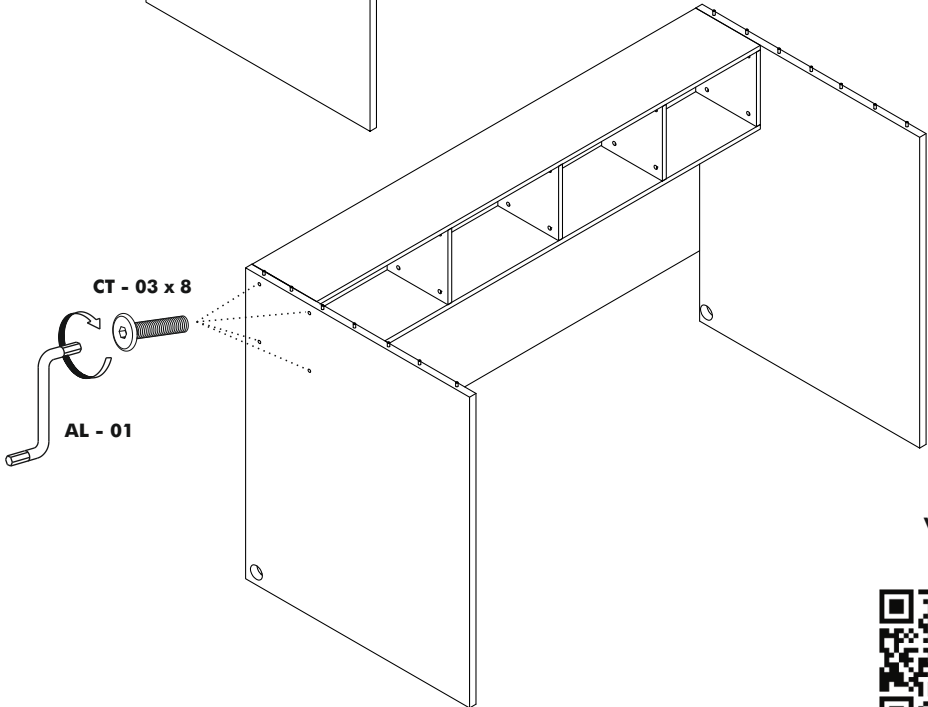
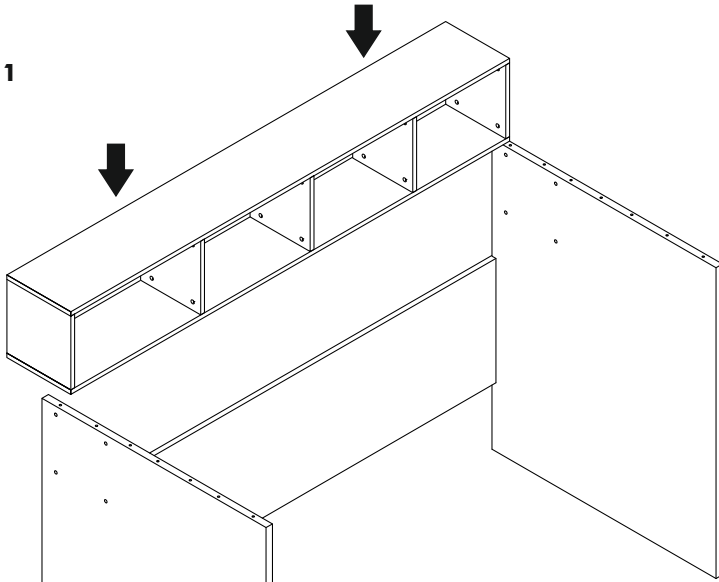
STEP 10



VIDEO



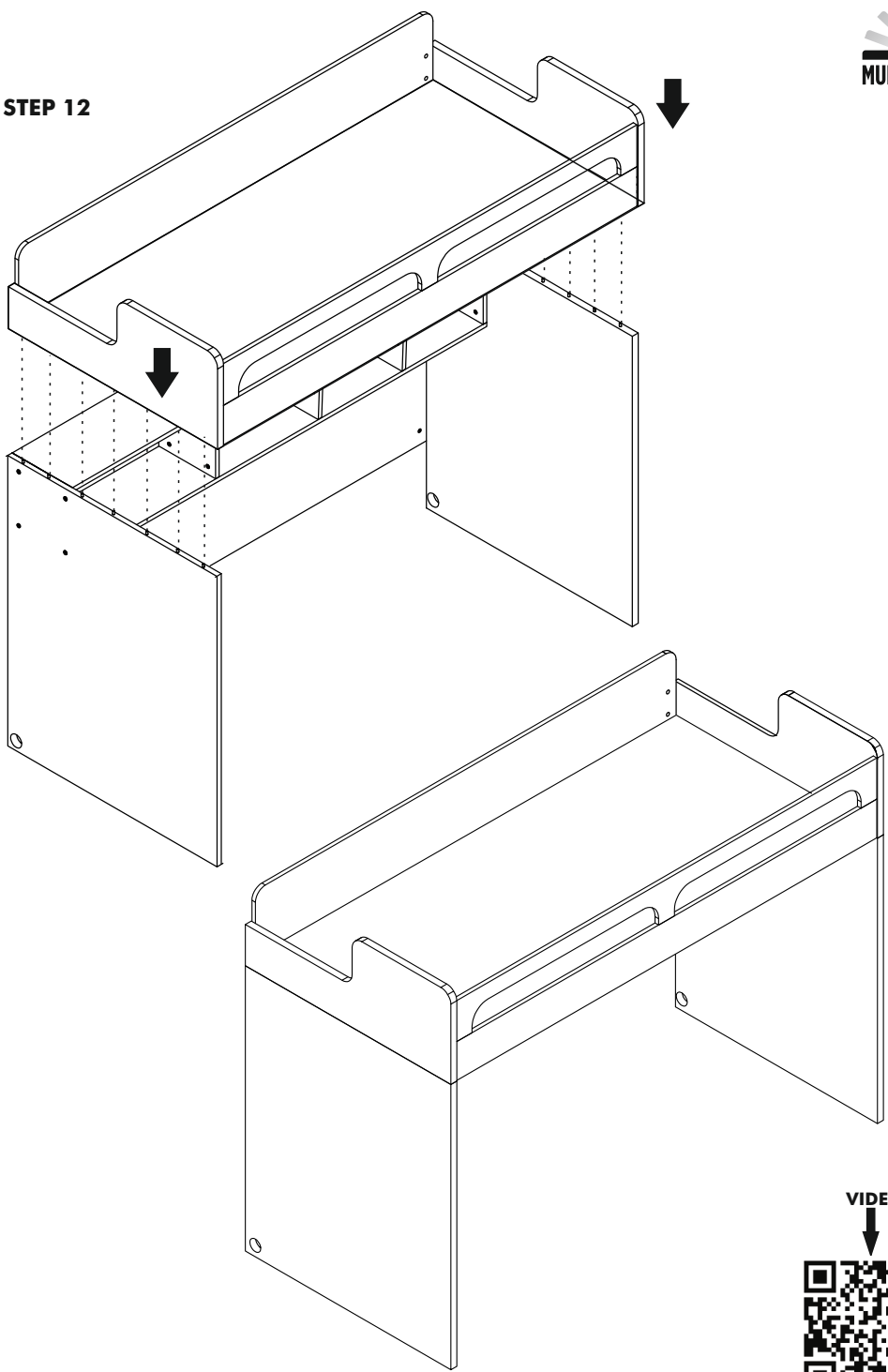
STEP 11



VIDEO



STEP 12

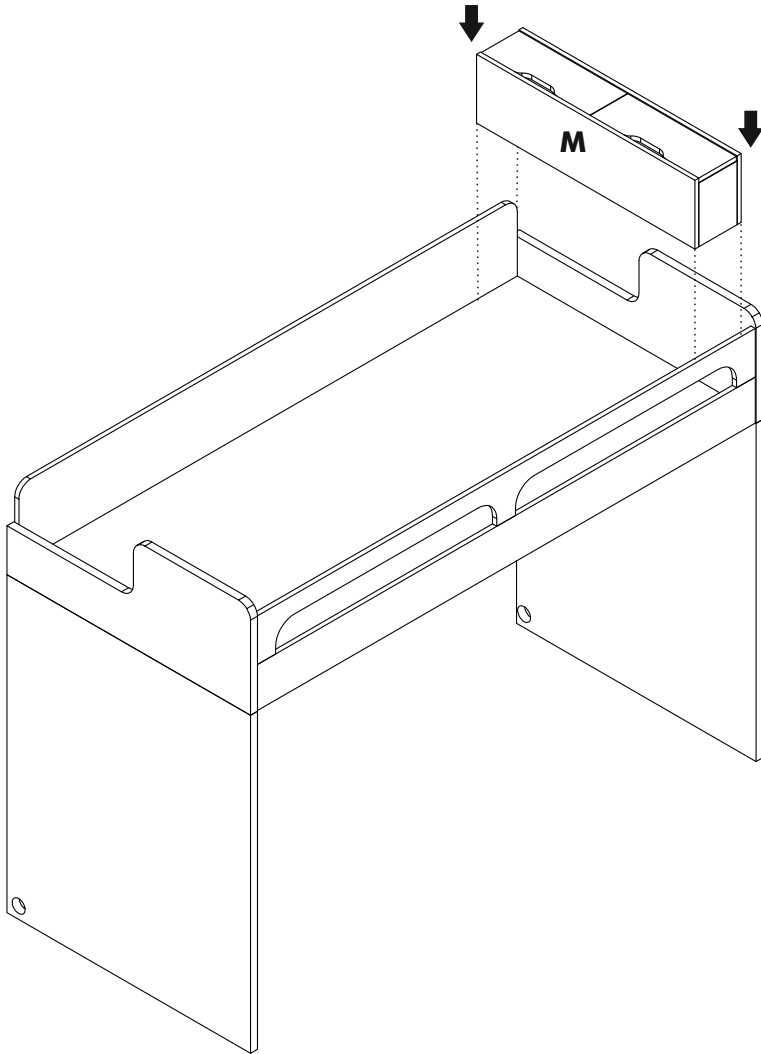


VIDEO



<https://www.youtube.com/watch?v=0X95yI7rvN8>

STEP 13



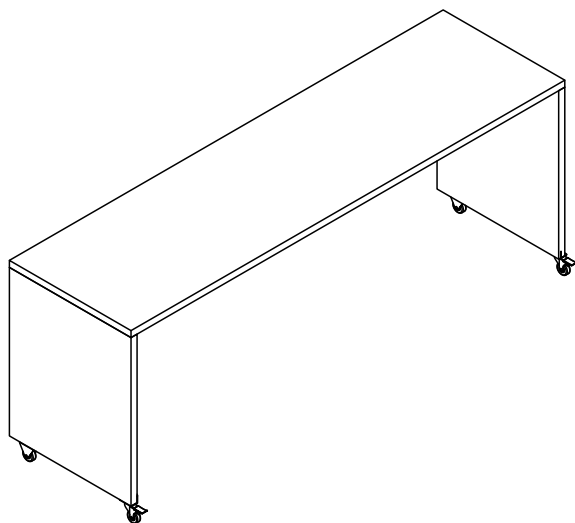
VIDEO





MULTIMO

A 216 BEL MONDO TABLE A 220 COMPACT TABLE



10 min.



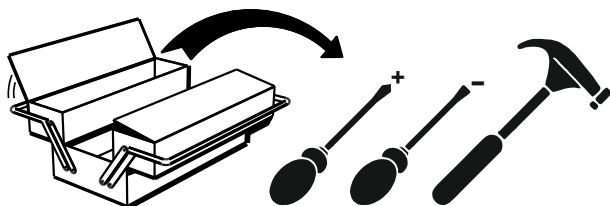
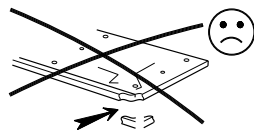
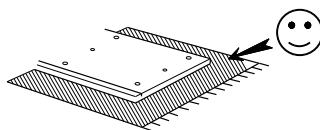
Technical Service



30 min.



End User



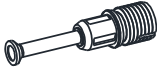

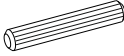

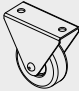
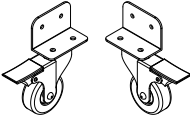
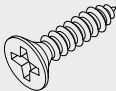
VIDEO

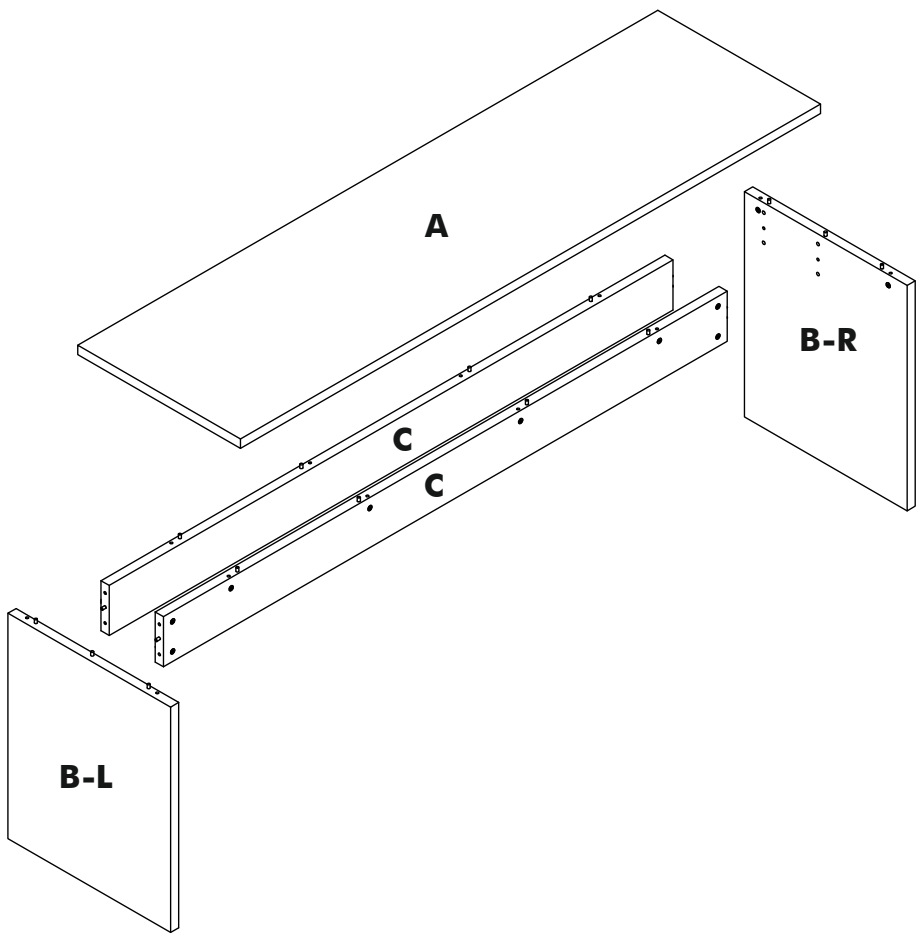


<https://youtu.be/2P40T2GqWyy>

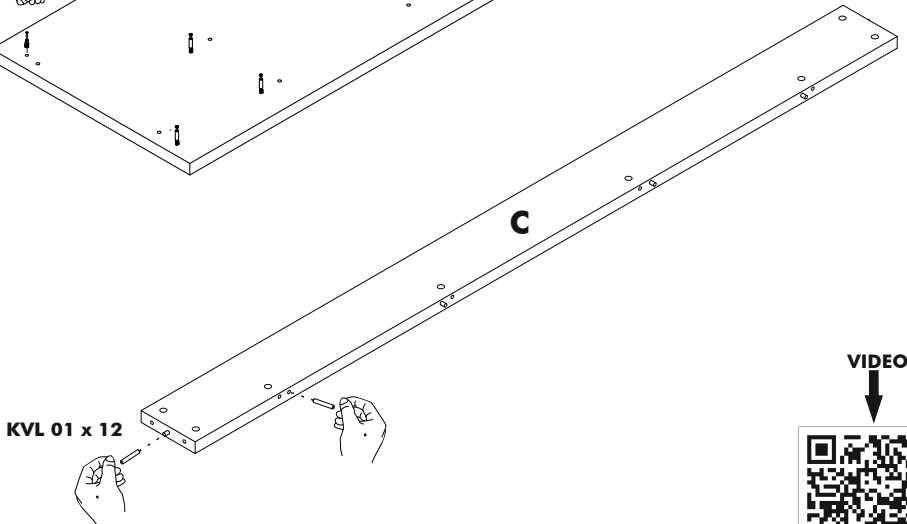
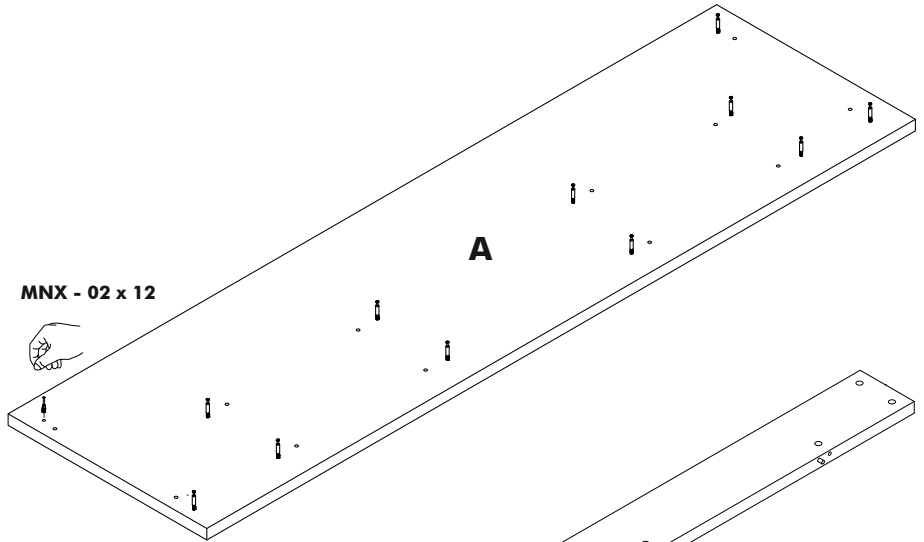
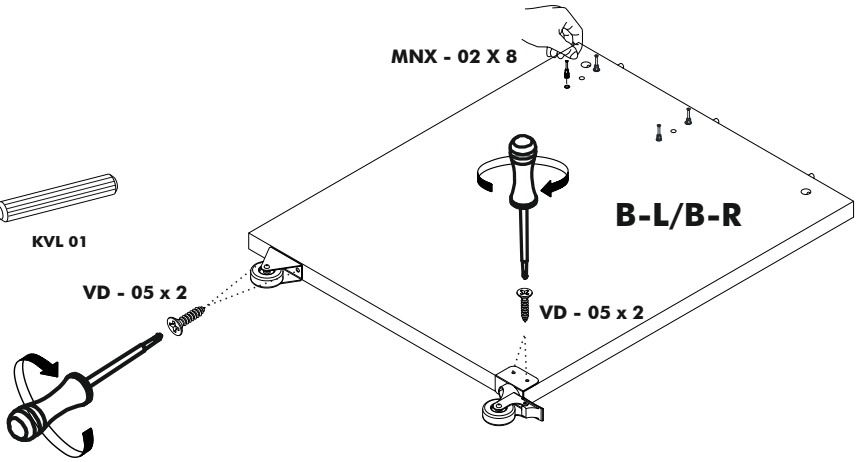
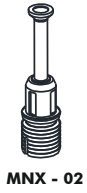
Track Title	Piece	(inch)			(mm)			
		Thickness	Length	Width	Piece	Thick	Height	Most
A		1,18	82,99	23,62	1	30	2108	600
B-R		1,18	25,79	23,62	1	30	655	600
B-L		1,18	25,79	23,62	1	30	655	600
C		0,71	80,55	5,12	2	18	2046	130

Accessories List

<p>MNX 02</p>  <p>20 / piece</p>	<p>MNG - 01</p>  <p>20 / piece</p>	<p>KVL 01</p>  <p>18 / piece</p>	<p>TAP - 01</p>  <p>20 / piece</p>
<p>TKR - 01</p>  <p>2 / piece</p>	<p>TKR-F - 01</p>  <p>2 / piece</p>	<p>VD - 05 (4x25) mm</p>  <p>8 / piece</p>	



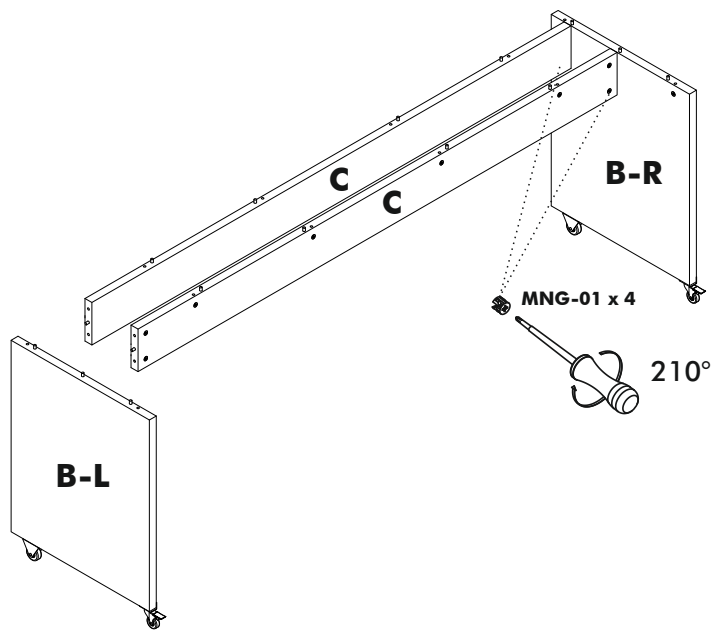
STEP 1



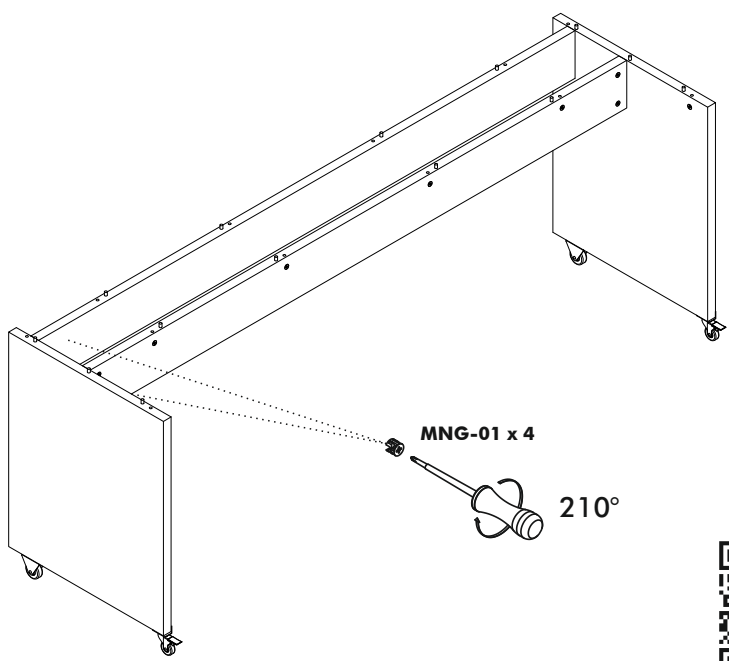
VIDEO



STEP 2



STEP 3



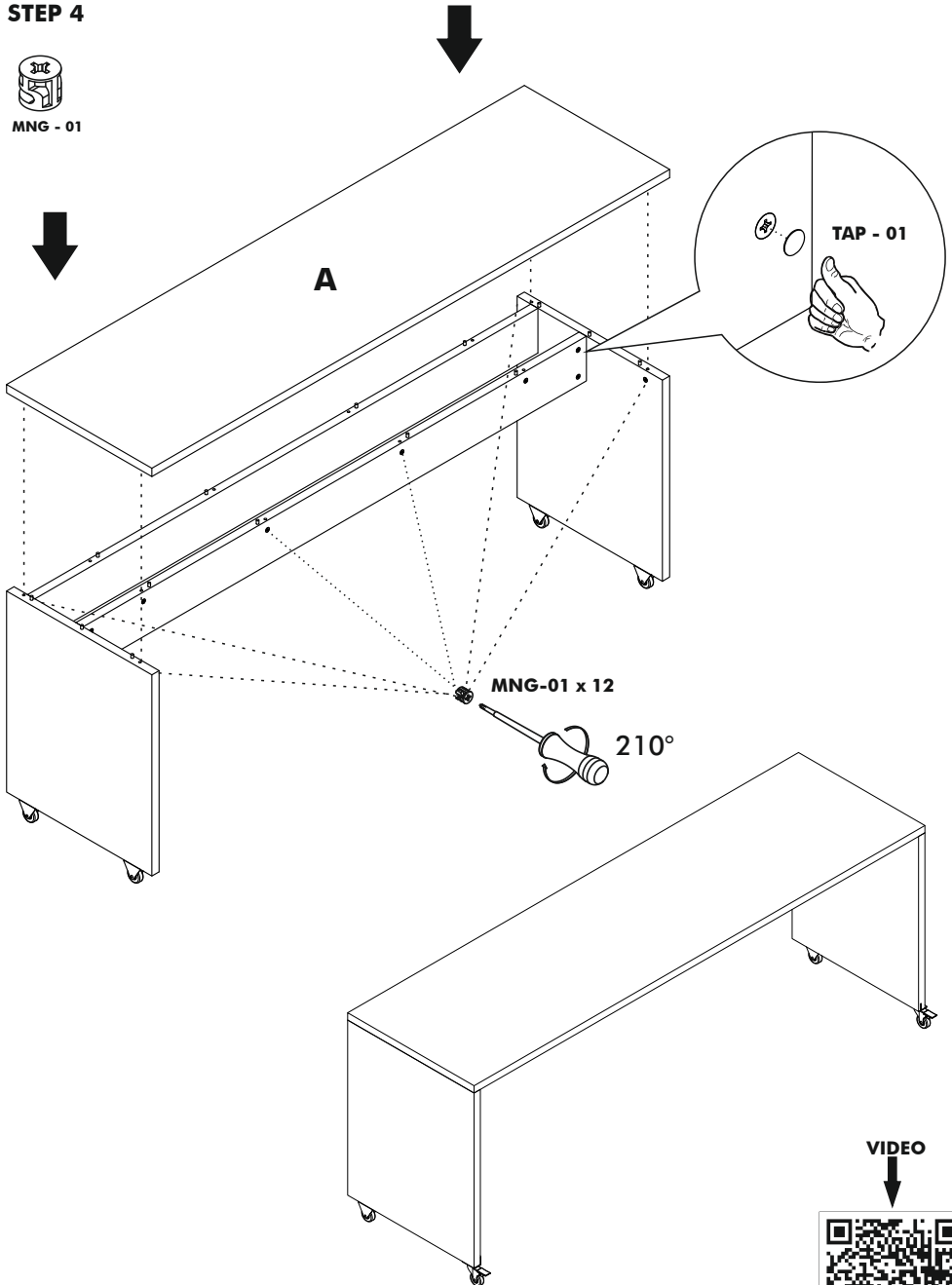
VIDEO



STEP 4



MNG - 01



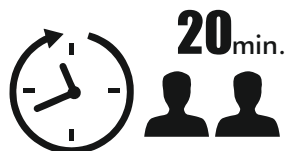
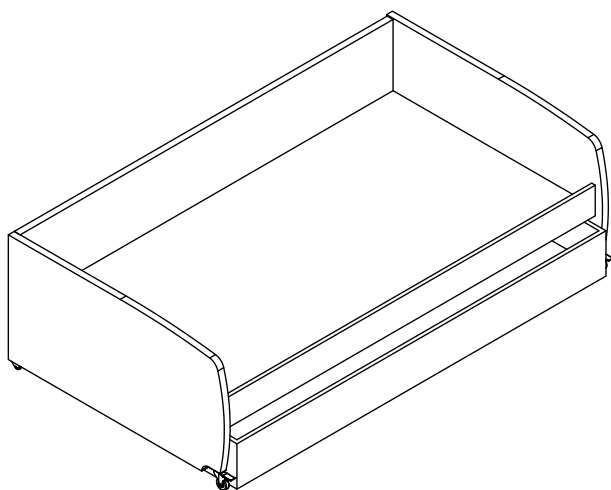
VIDEO





MULTIMO

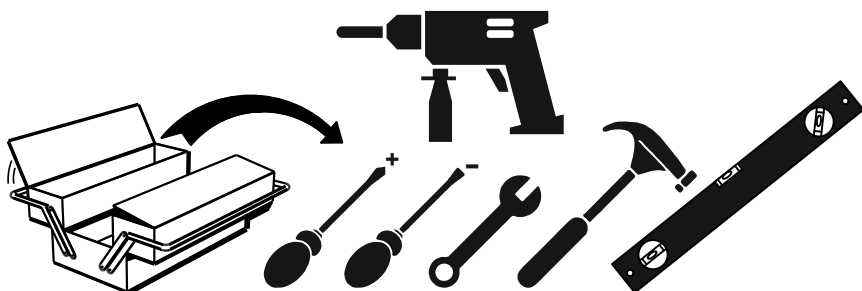
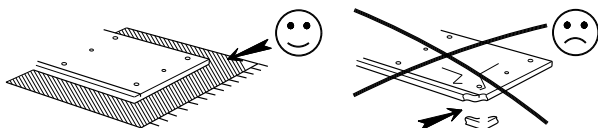
A 216 BEL MONDO TWINBED A 220 COMPACT TWIN BED



Technical Service



End User



VIDEO

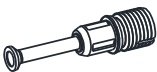

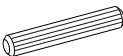


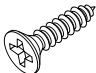
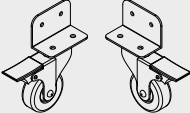

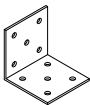


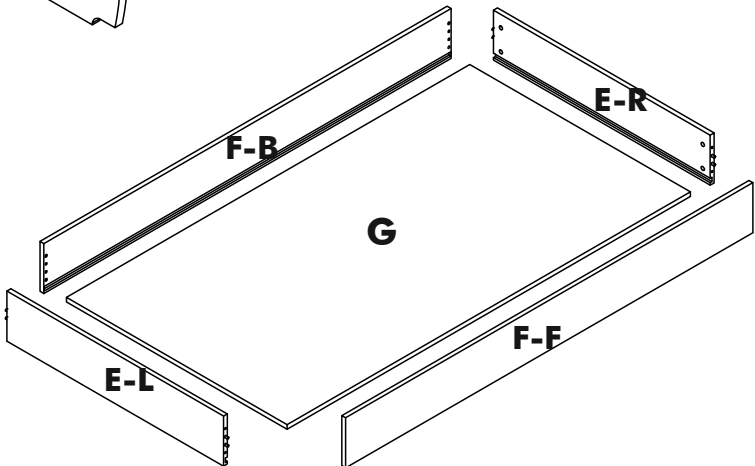
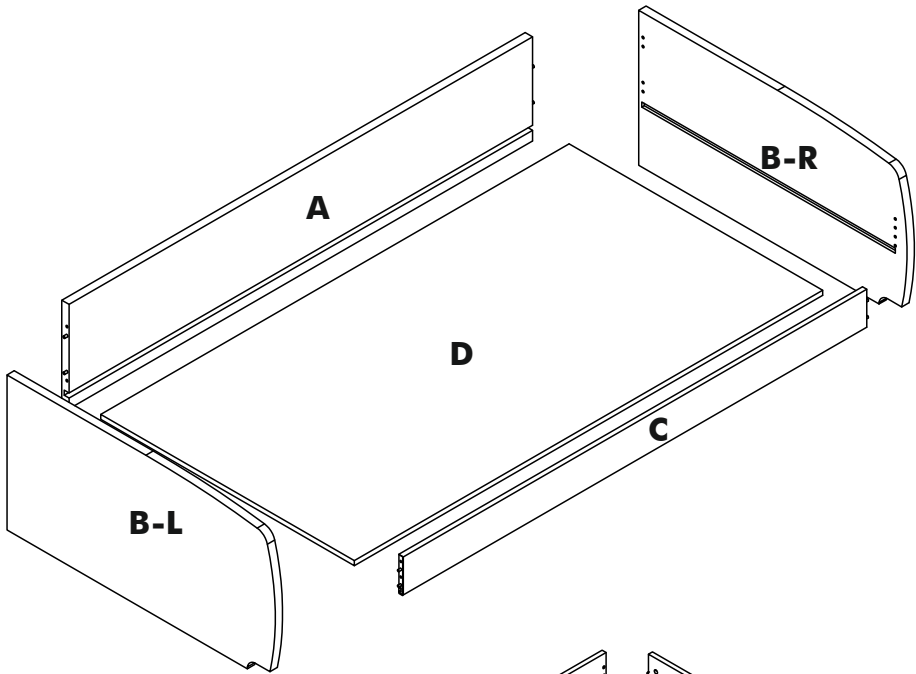
<https://youtu.be/H6R8k03KVIE>

Assembly Instructions

Track Title	Piece	(inch)			(mm)			
		Thickness	Length	Width	Piece	Thick	Height	Most
A		1,18	77,40	15,75	1	30	1966	400
B		1,18	43,31	21,65	2	30	1100	550
C		0,71	77,40	6,30	1	18	1966	160
D		0,71	78,11	40,83	1	18	1984	1037
E		0,71	39,37	8,27	2	18	1000	210
F		0,71	76,61	8,27	2	18	1946	210
G		0,71	75,83	40,00	1	18	1926	1016

Accessories List

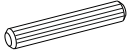
MNX 02  16 / piece TKR - 02 (30 mm)	MNG - 01  16 / piece VD - 05 (4x25) mm	KVL 01  16 / piece TKR-F - 01	TAP - 01  16 / piece VTB - 01 (4,8x16) mm
 8 / piece	 4 / piece	 2 / piece	 112 / piece
KB - 01  12 / piece			



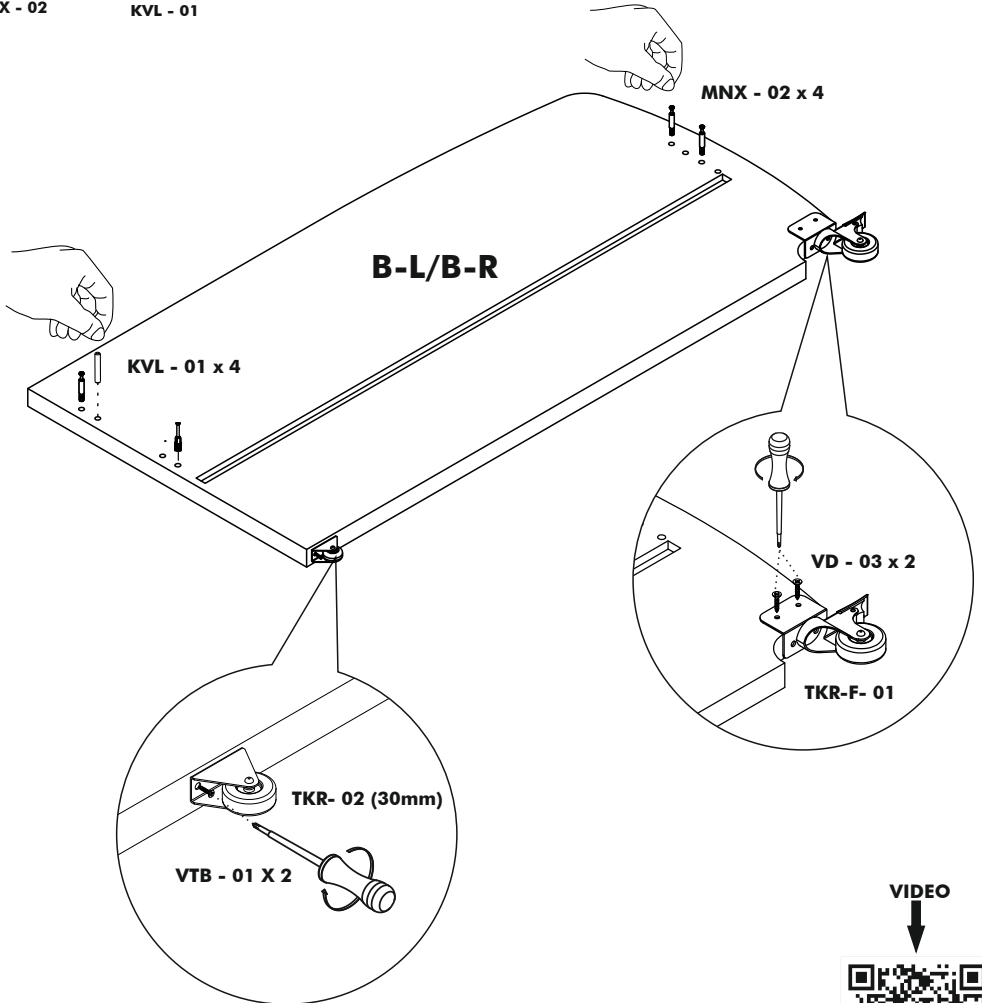
STEP 1



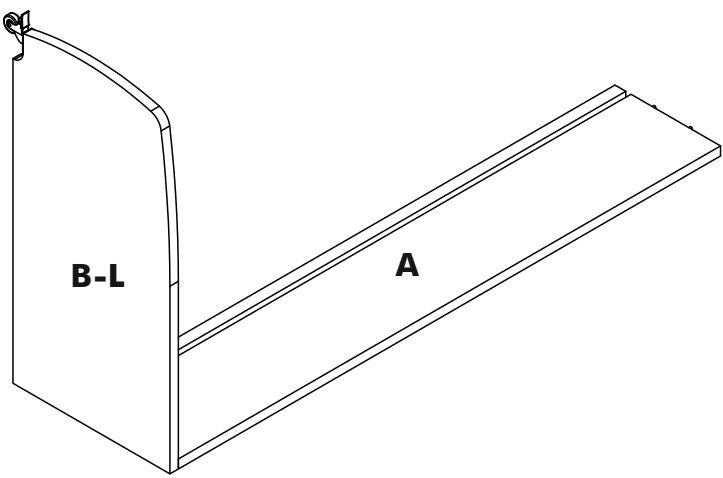
MNX - 02



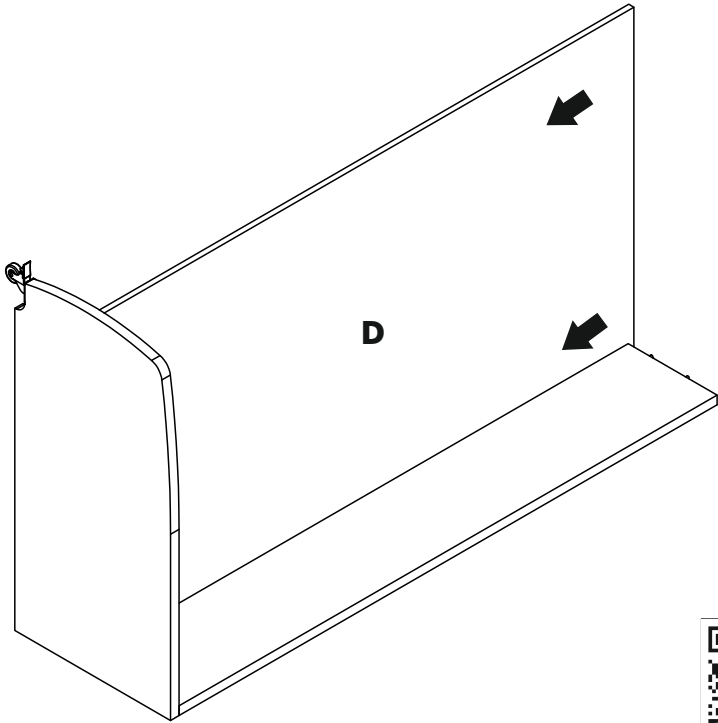
KVL - 01



STEP 2



STEP 3



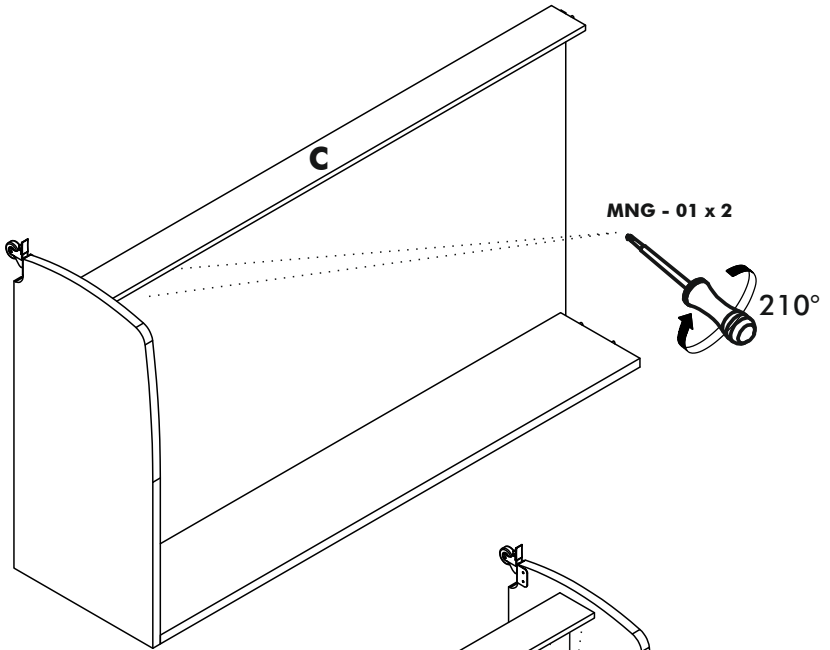
VIDEO



STEP 4



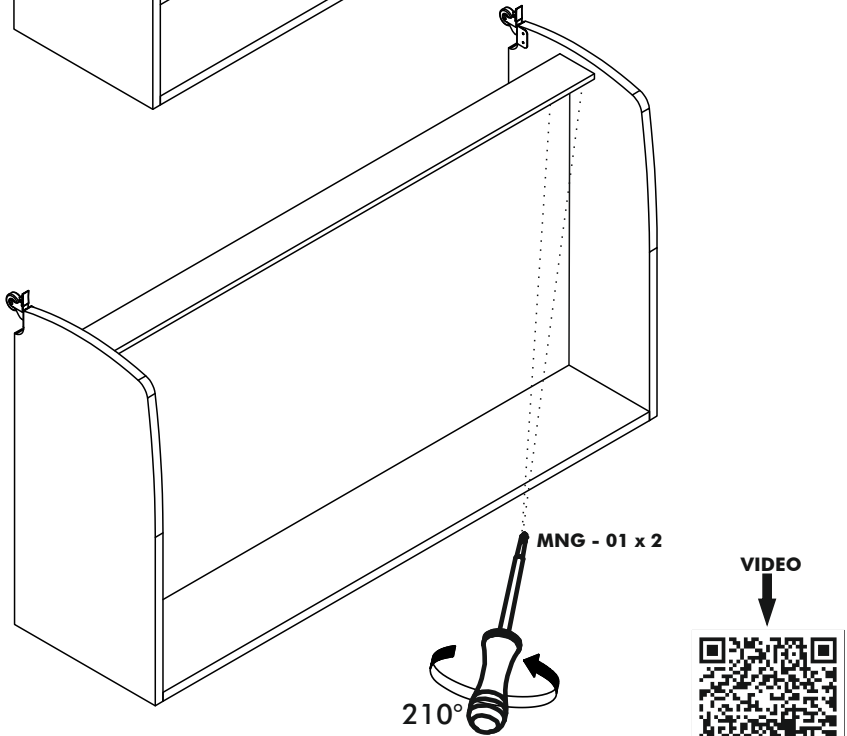
MNG - 01



STEP 5



MNG - 01



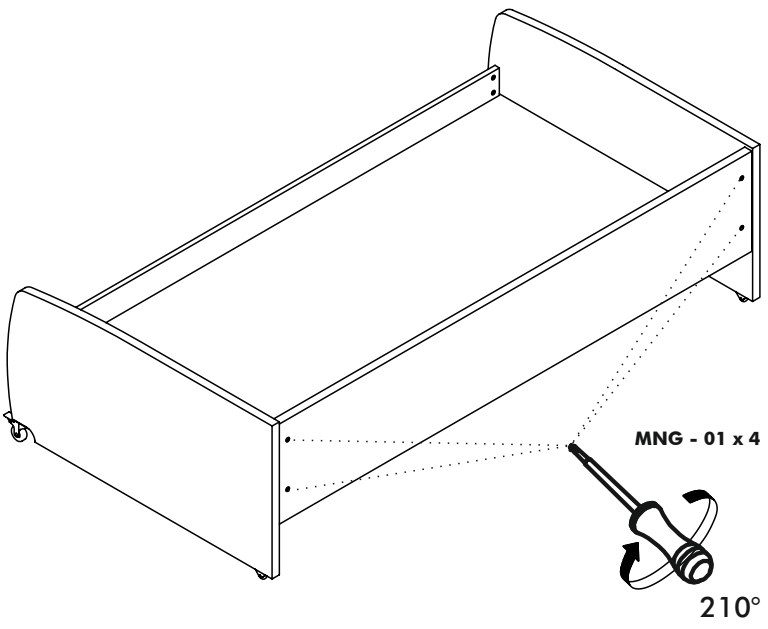
VIDEO



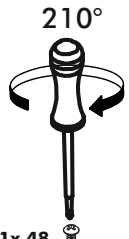
STEP 6



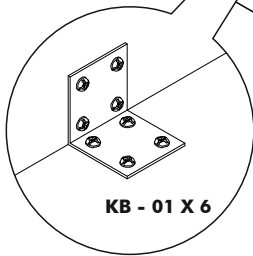
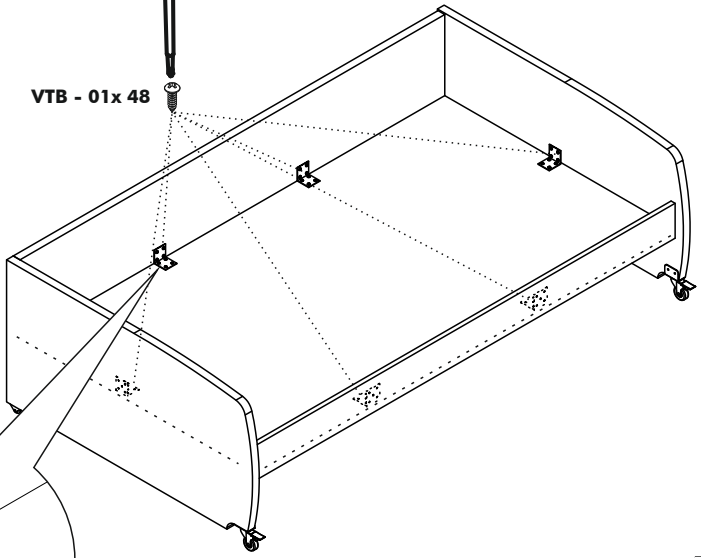
MNG - 01



STEP 7



VTB - 01x 48



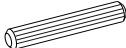
VIDEO



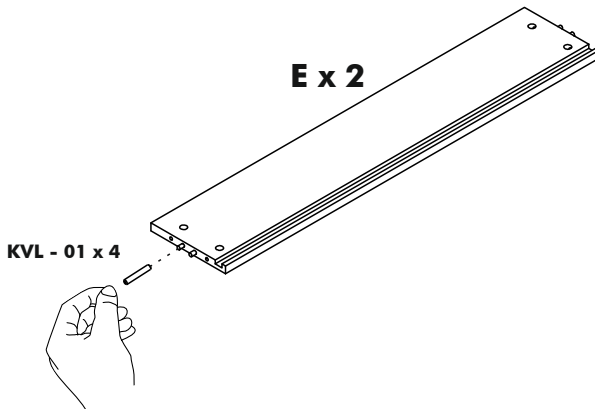
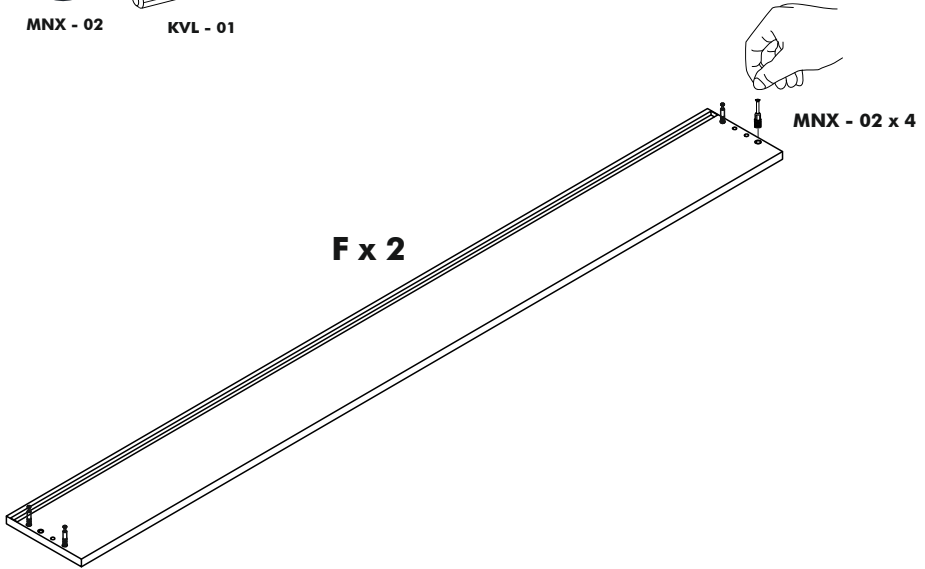
STEP 8



MNX - 02



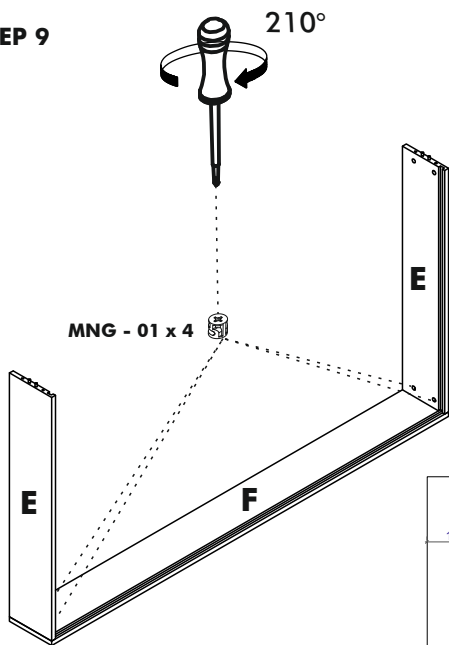
KVL - 01



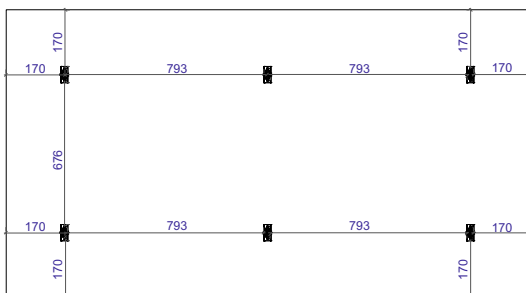
VIDEO



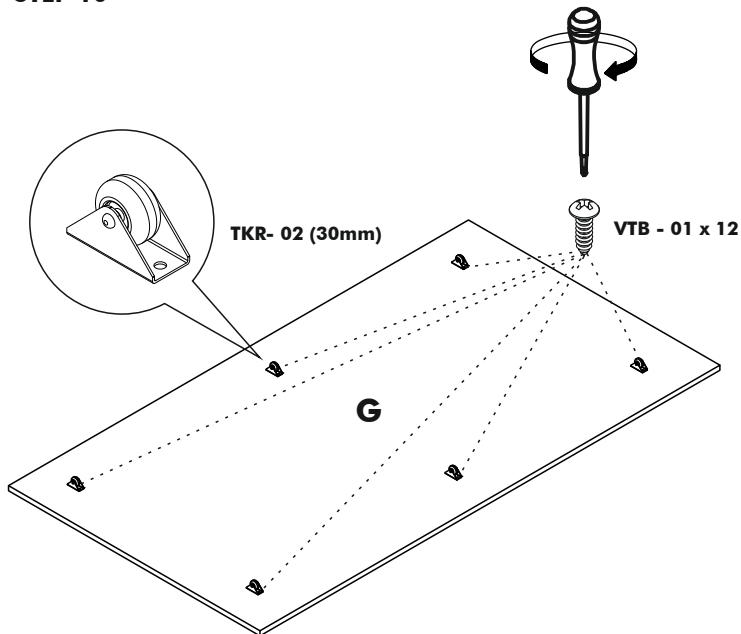
STEP 9



DIMENSIONS



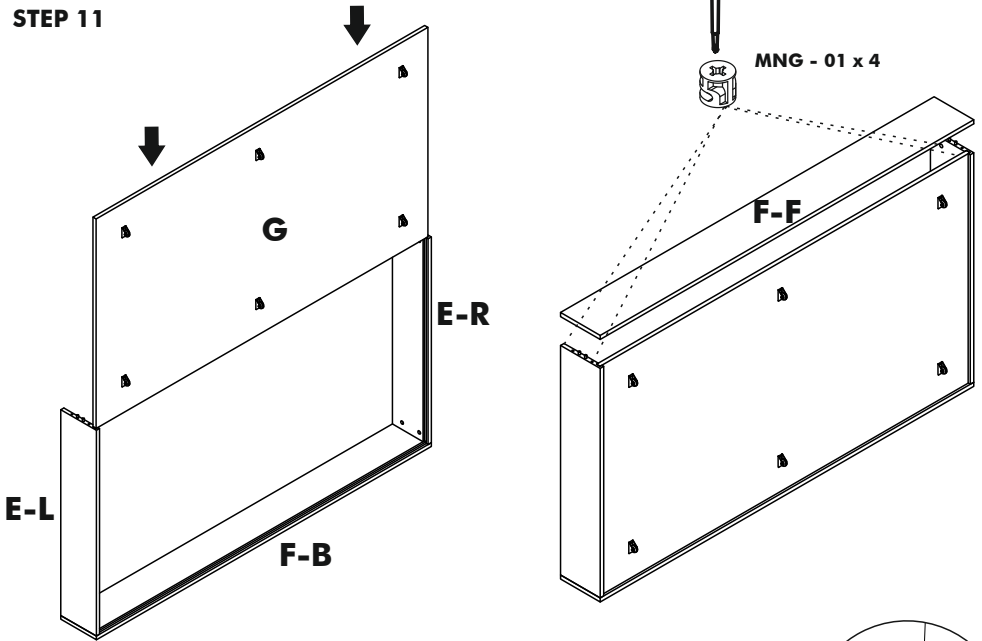
STEP 10



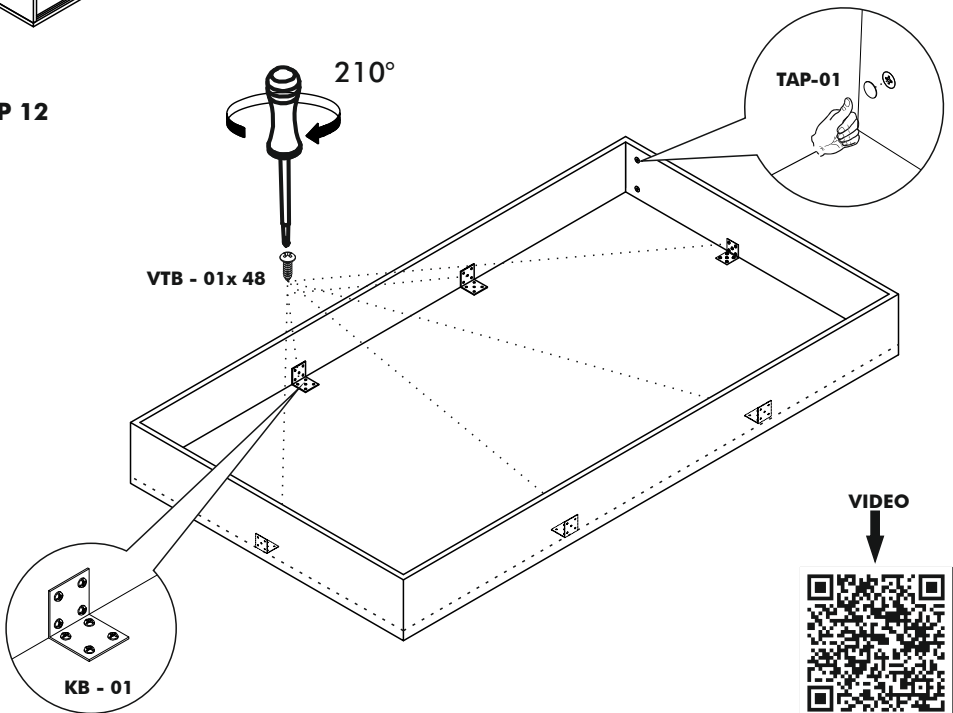
VIDEO



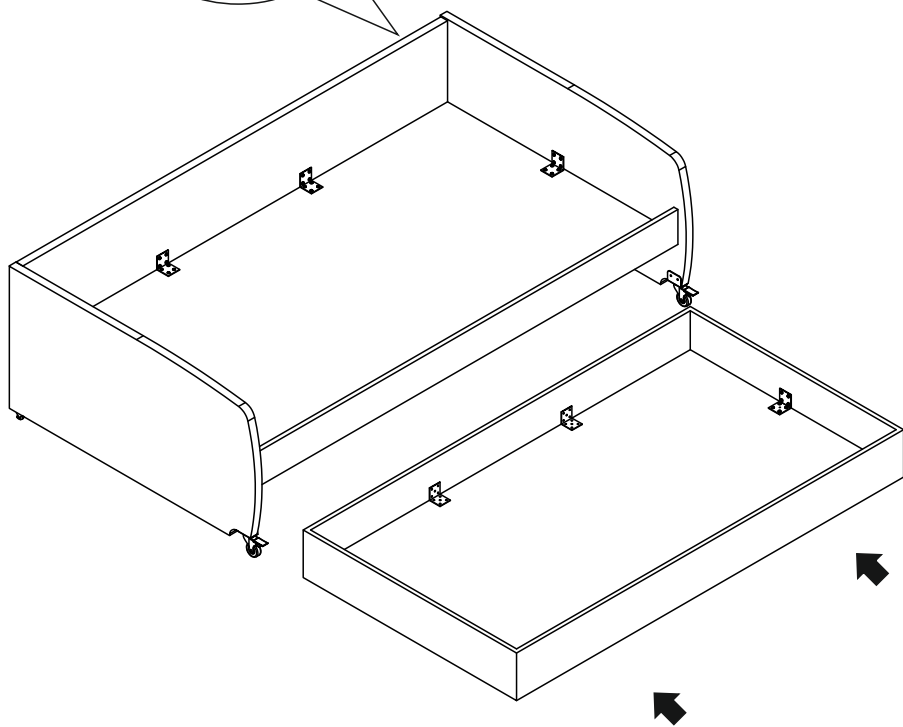
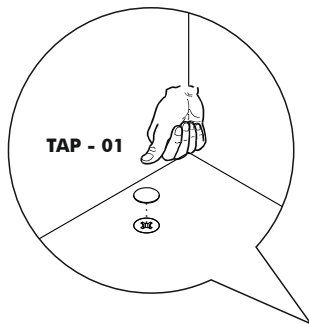
STEP 11



STEP 12

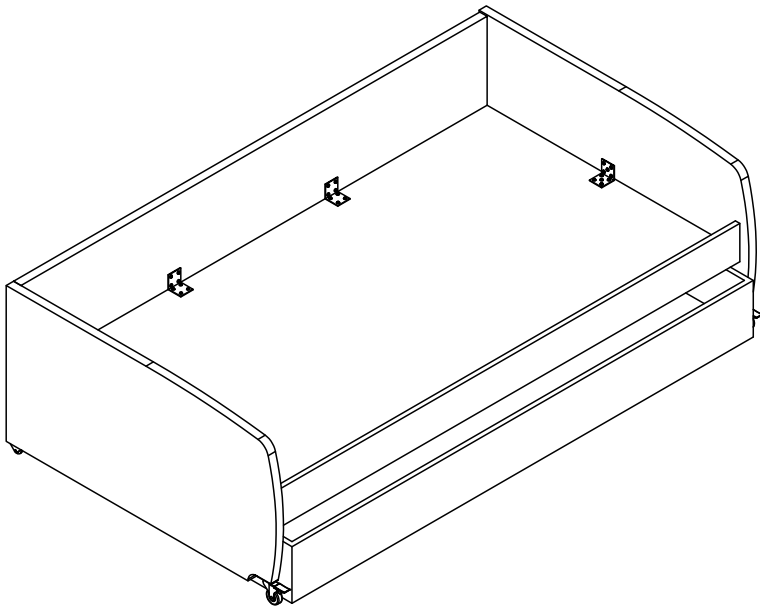


STEP 13



VIDEO





1. Unless an item is free standing, when mounting on a regular drywall, furniture must be fastened to wood or metal studs. Solid walls made of brick, concrete or similar materials are also acceptable. Do not mount furniture on to paper-mache or sheetrock like material without properly affixing it to stud.
2. For safety and longevity of the product you must periodically inspect the mounting and mechanical connections for integrity and tightness. Confirm that hardware remains properly affixed and connections are snug.
3. Unless noted otherwise on the product page, Wall Bed mattress thickness may not exceed 8 inch. Make sure to remove pillows and excess blankets before closing. This keeps mechanism free of obstructions and unnecessary stress.
4. Do not lean or rest heavy objects on sides or top of furniture. This may cause balance issues and compromise the integrity of your mounting connections.
5. Please use beds, desks and shelving as intended. Improper use may cause personal injury and damage to property.
6. With seasonal humidity change you must inspect interior and exterior of furniture.
7. Single, Twin, Twin XL beds accommodate the weight of one person, up to 250 lb. Exceeding recommended weight restrictions may lead to personal injury and property damage.
8. Before any un-mounting or disassembly please contact Multimo for technical support and instructions. Failure to properly detach wall bed may result in personal injury and property damage.
9. Some wall beds have legs that fully extend when open - be aware of where the leg is and will be.



WARNING

IMPORTANT! HAZARD WARNING!

All Wall Beds contain sophisticated and powerful lifting mechanism.
Failure to follow assembly and installation instructions may result in **severe personal injury and damage of the product.**

SECURE RIGIDLY TO A WALL!

Improper attaching wall bed to a wall will create a tip-over hazard and may result in severe personal injury or even death.

ONLY qualified installers should install or remove a wall bed.

10. For Bunk Beds:

- a. Always use provided ladder when accessing top bunk.
- b. Be slow, careful and aware of surroundings when opening top bunk.
- c. Do not horseplay. Beds are to be slept on only.



WARNING

To help prevent serious or fatal injuries due to entrapment or falls

- Never allow a child under 6 on upper bunk.
- Use only Twin/Twin XL size mattress on upper bunk.
- Ensure mattress thickness doesn't exceed 6", and that mattress surface at least 5" below upper edge of guard rails



WARRANTY

RETAIL RESIDENTIAL TERM

Lifetime guarantee on hardware.
5 year structural guarantee on cabinetry.

COMMERCIAL TERM

Lifetime guarantee on hardware.
2 year structural guarantee on cabinetry.



www.multimobeds.com