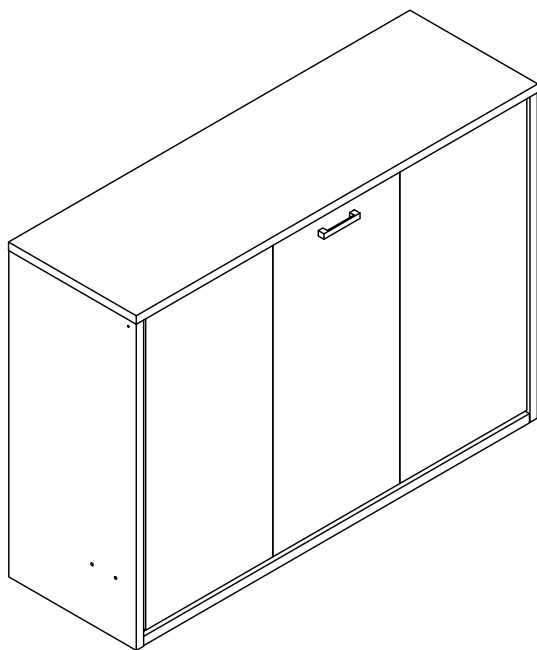




# MULTIMO

## A 215- CAPSULE DOUBE FOLDING QUEEN BED



4 hours



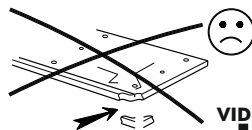
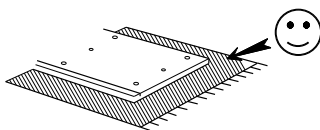
Technical Service



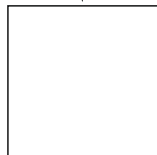
6 hours



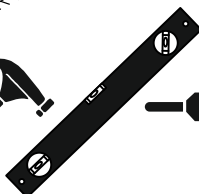
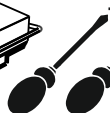
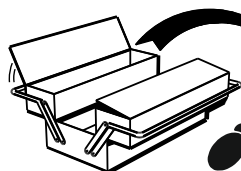
End User



VIDEO

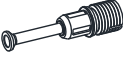

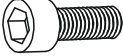



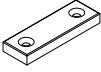




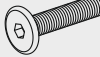


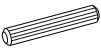
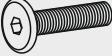

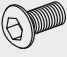

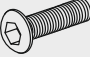
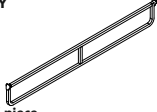



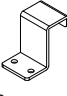

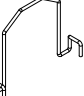

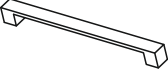



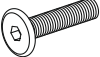
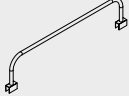



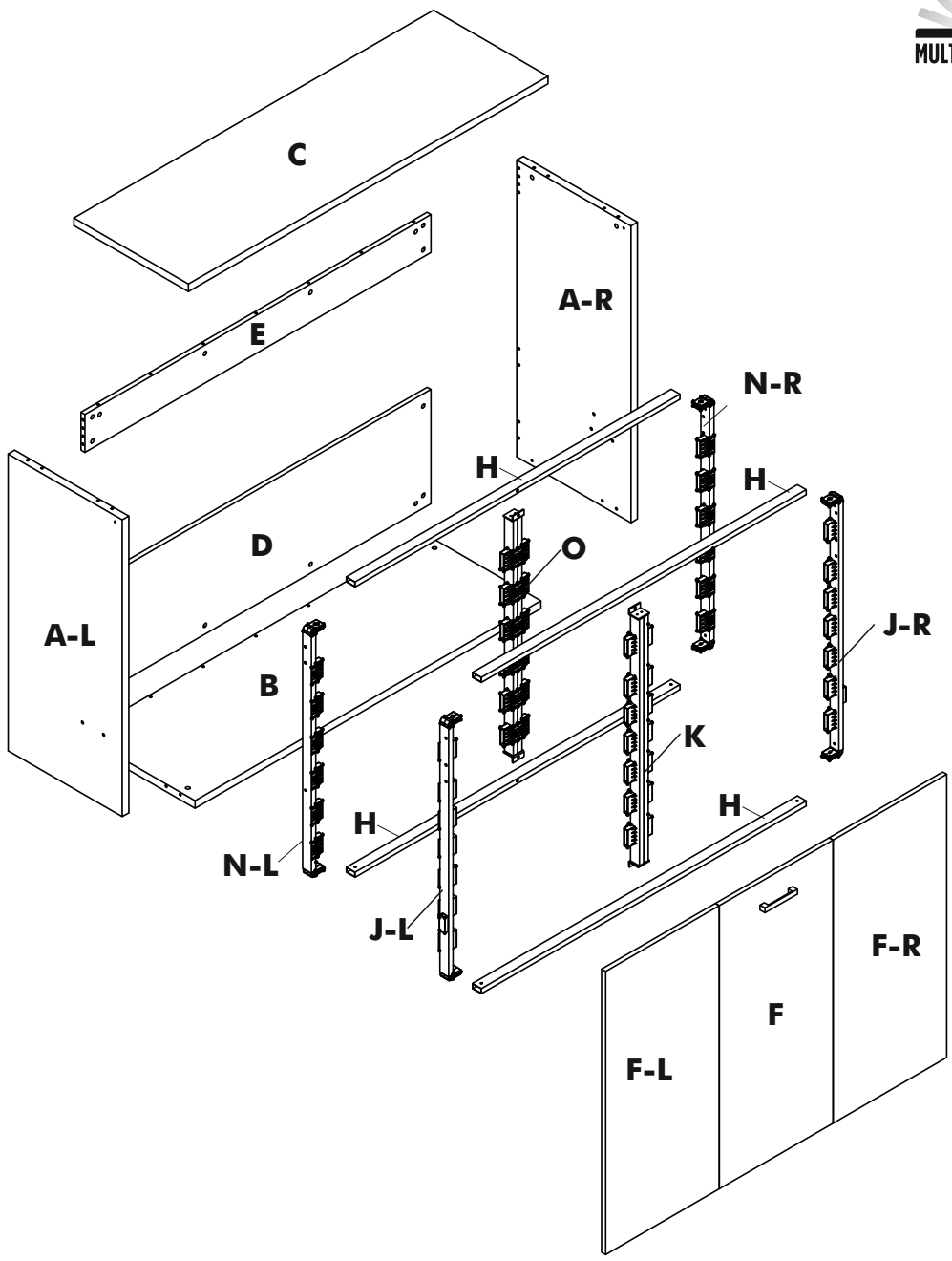
link

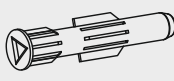

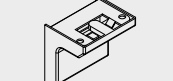
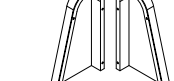



Track Title	Piece	(inch)			(mm)			
		Thickness	Length	Width	Piece	Thick	Height	Most
<b>A</b>	2	1,18	46,06	20,47	2	30	1170	520
<b>B</b>	1	1,18	62,05	20,47	1	30	1576	520
<b>C</b>	1	1,18	64,49	20,51	1	30	1638	521
<b>D</b>	1	0,71	62,05	17,72	1	18	1576	450
<b>E</b>	1	0,71	62,05	5,91	1	18	1576	150
<b>F</b>	1	0,71	43,98	20,39	1	18	1117	518
<b>F-R / F-L</b>	2	0,71	43,98	20,39	2	18	1117	518

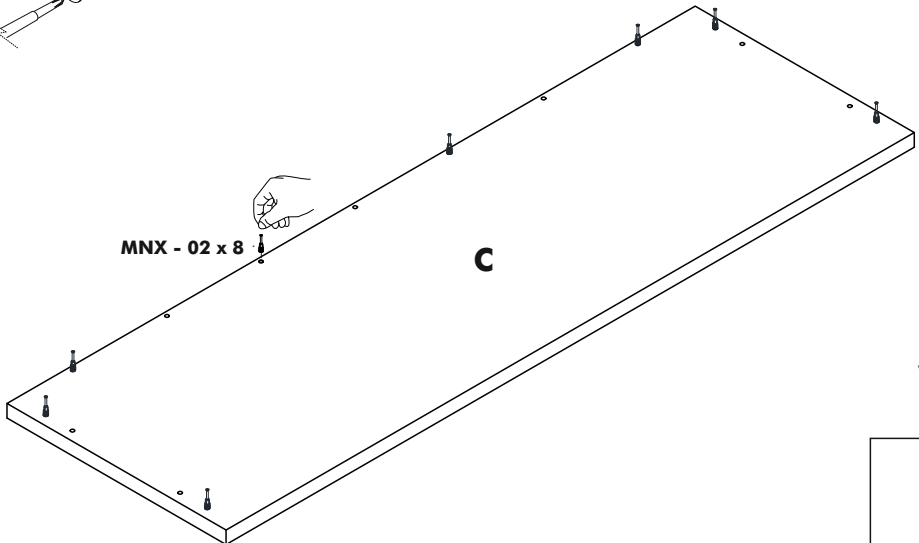
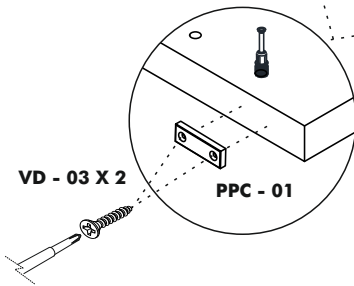
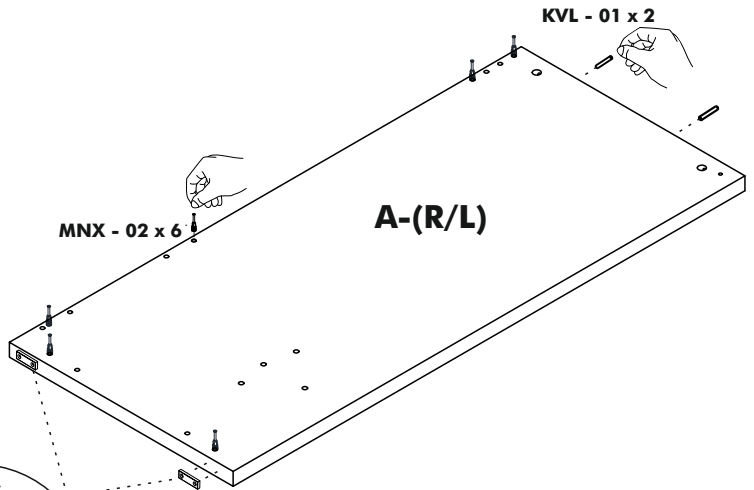
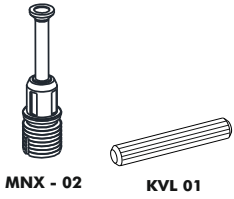
### Accessories List

<b>MNX 02</b>  24 / piece <b>MNX - 03</b>  10 / piece <b>IM - 01 (6x30) mm</b>  4 / piece <b>SC-99</b>  2 / piece <b>OT 10</b>  2 / piece <b>OT-006</b>  2 / piece <b>PPC 01</b>  4 / piece	<b>MNG - 01</b>  44 / piece <b>YSB - 01 ( 3,9x16 ) mm</b>  4 / piece <b>MKZ - 01 D</b>  1 / piece <b>SKT - 01</b>  8 / piece <b>CT - 04 ( 6x20 ) mm</b>  4 / piece <b>SN - 01 ( M6 )</b>  2 / piece <b>VD - 03 ( 3,5x18 ) mm</b>  12 / piece	<b>KVL 01</b>  30 / piece <b>CT - 01 ( 6x40 ) mm</b>  2 / piece <b>PL - 04 (5x12x0,7) mm</b>  4 / piece <b>CTM - 01 ( 6x10 ) mm</b>  8 / piece <b>PL - 05 (8x16x2) mm</b>  2 / piece <b>CTM - 02 ( 8x35 ) mm</b>  8 / piece <b>SAY</b>  1 / piece	<b>TAP - 01</b>  44 / piece <b>OT-054</b>  2 / piece <b>LTA - 01</b>  26 / piece <b>SC-110</b>  12 / piece <b>SN - 02 ( M8 )</b>  10 / piece <b>TTC 01</b>  2 / piece <b>AL - 01 (4MM)</b>  1 / piece	<b>KP - 01 ( 224 ) mm</b>  1 / piece <b>VKP - 01 (22) mm</b>  2 / piece <b>VTB - 02 (4,2x16) mm</b>  32 / piece <b>SC-100</b>  2 / piece <b>CT - 05 ( 6x35 ) mm</b>  2 / piece <b>KOR</b>  1 / piece <b>AL - 02 (5MM)</b>  1 / piece
--	---	--	---	---



<p><b>DD - 01 ( R10 )</b></p>  <p>2 / piece</p>	<p><b>VD - 01(6X70) mm</b></p>  <p>2 / piece</p>	<p><b>DSE - 02</b></p>  <p>2 / piece</p>	<p><b>KMT-01</b></p>  <p>1 / piece</p>	<p><b>KLF -F (fabric cover)</b></p>  <p>1 / piece</p>
---	---	---	---	---

# STEP 1

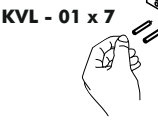
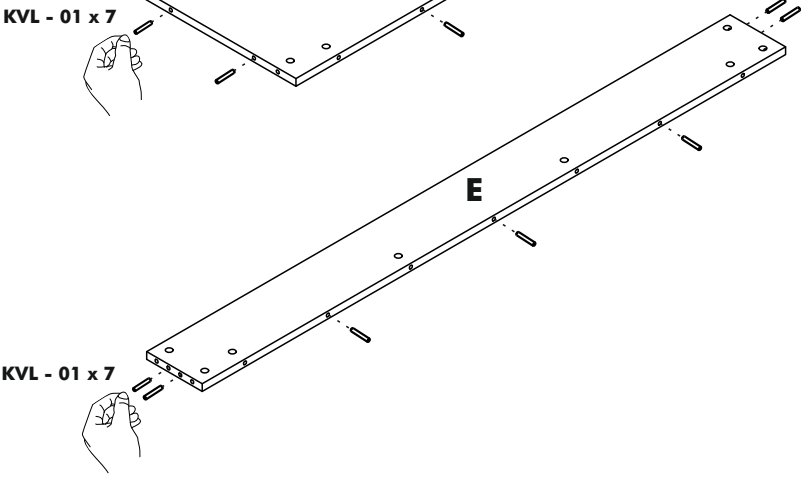
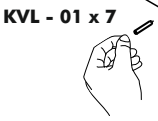
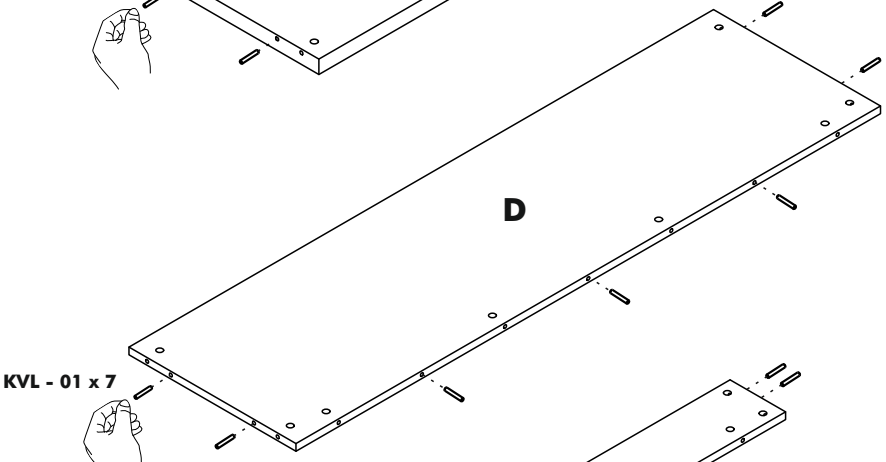
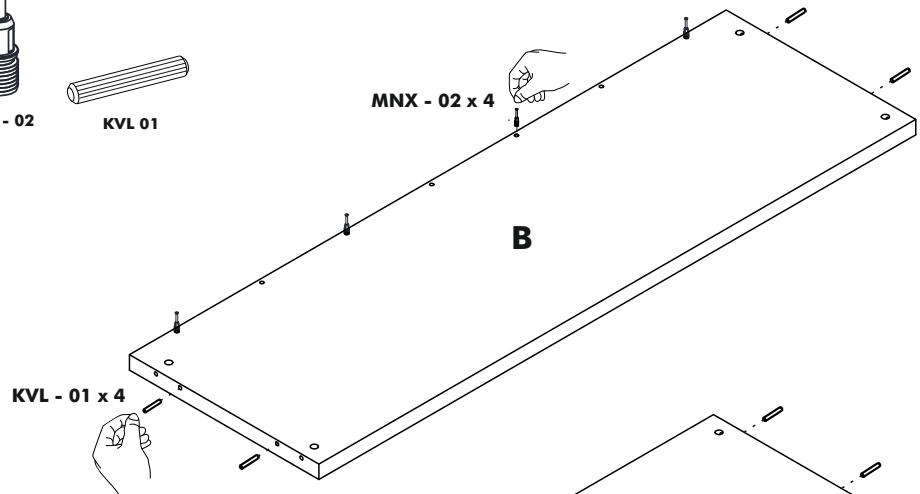
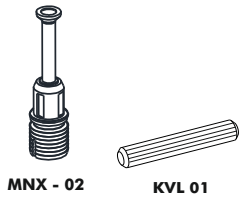


VIDEO

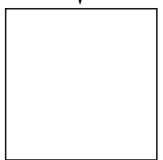


link

## STEP 2



VIDEO

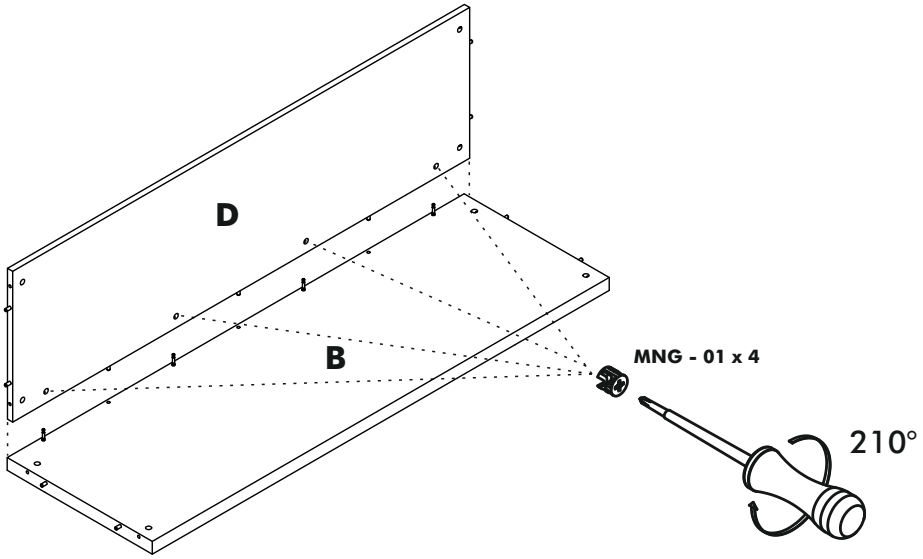


link

**STEP 3**



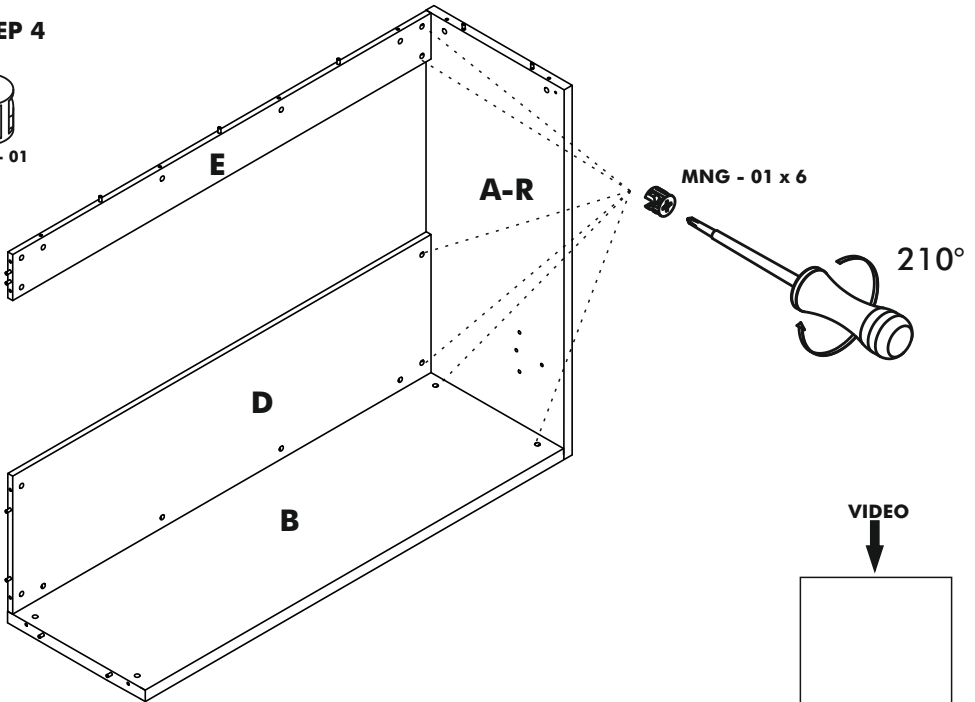
MNG - 01



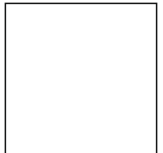
**STEP 4**



MNG - 01



**VIDEO**

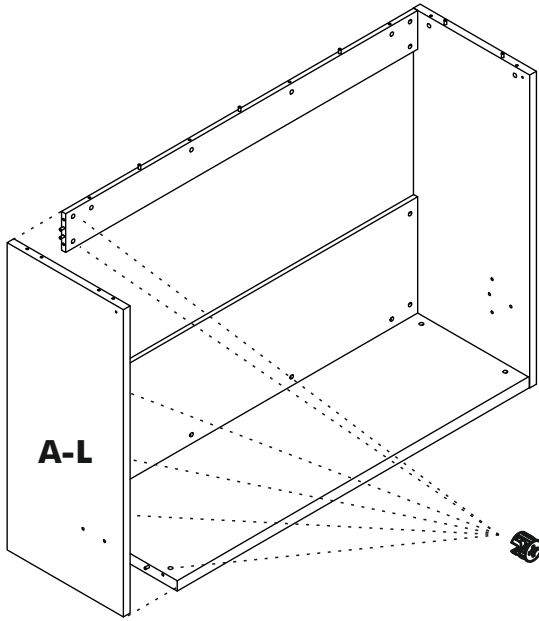


link

**STEP 5**



MNG - 01



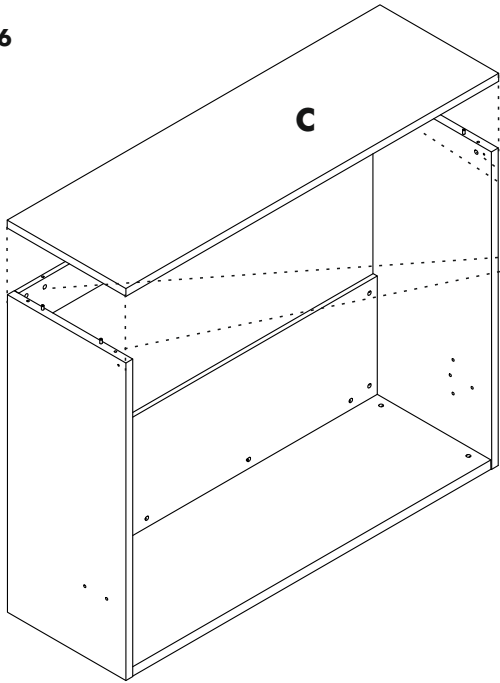
MNG - 01 x 6

210°

**STEP 6**



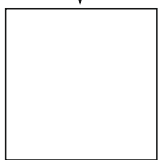
MNG - 01



MNG - 01 x 8

210°

**VIDEO**

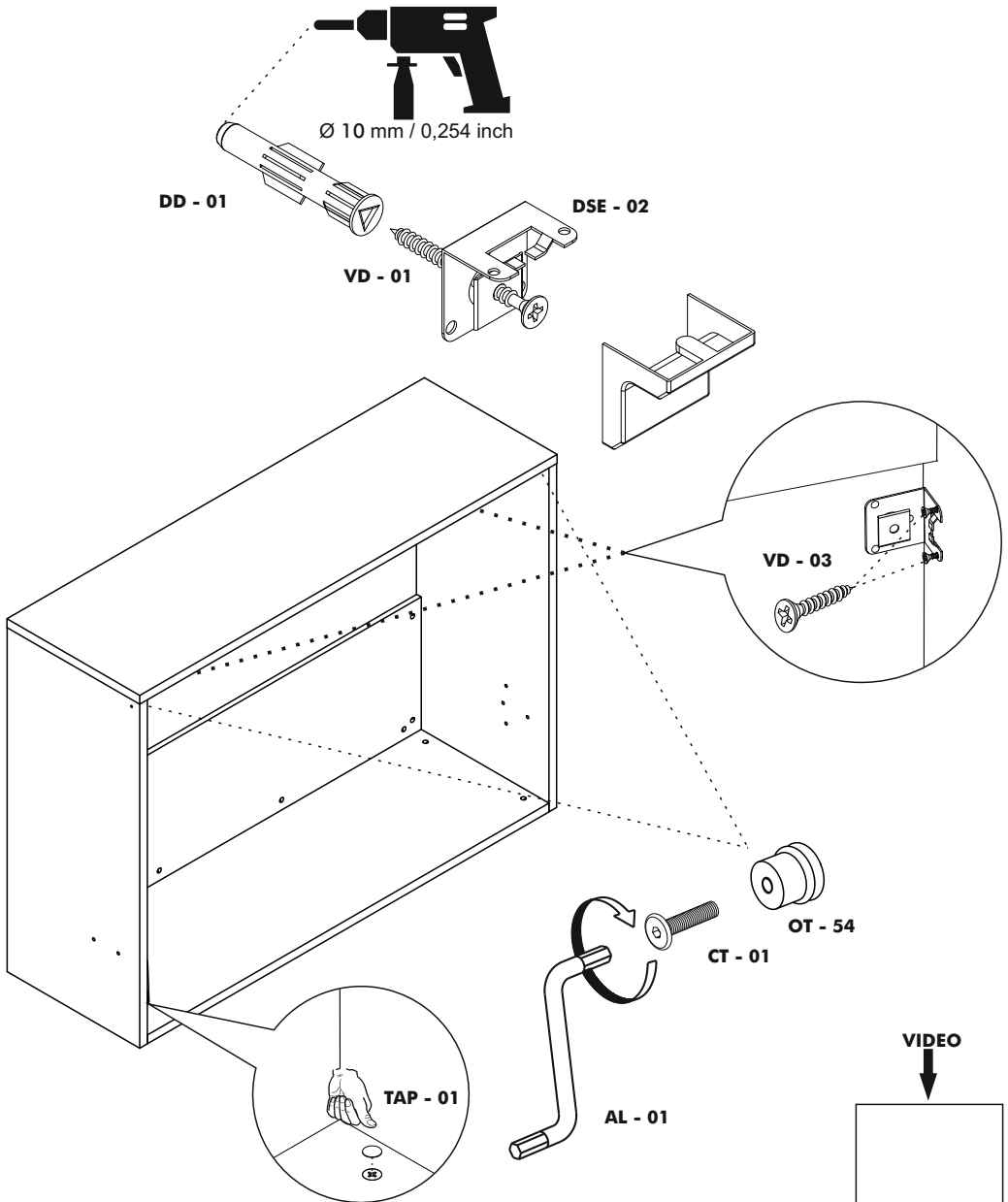


link

 **ATTENTION!!!**

Must be secured to the wall made of brick, concrete or similarly strong material.  
Mounting to wooden or metal studs is also acceptable.  
Do not mount directly to sheetrock or paper-mache type walls not supported by studs.

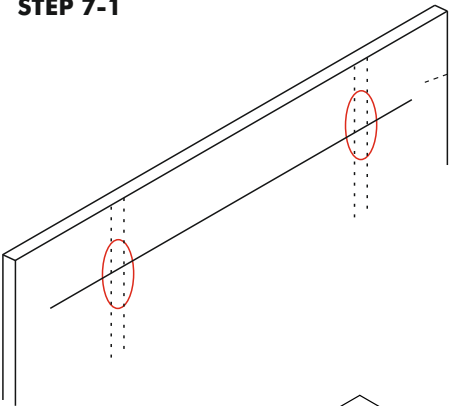
**STEP 7**



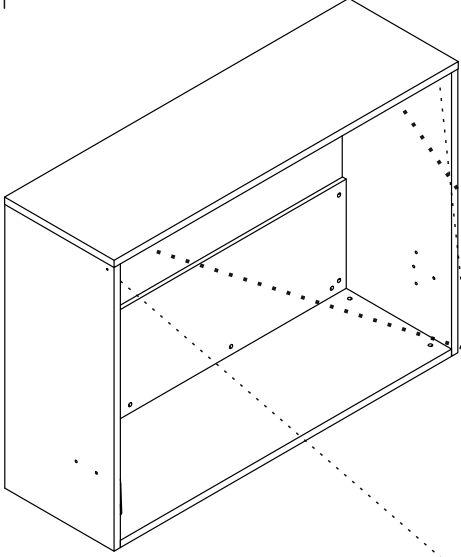
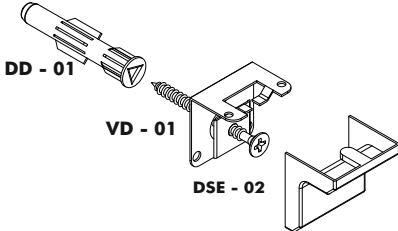


# WALLS MADE OF DRYWALL WITH WOODEN OR METAL STUDS

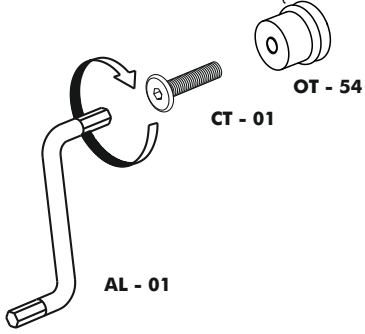
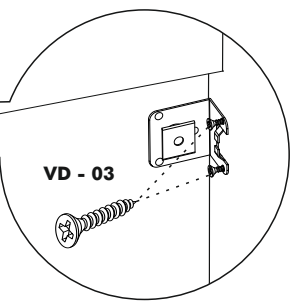
## STEP 7-1



Ø 10 mm / 0,254 inc



FIRST LOCATE THE STUDS BY USING "STUD FINDER" IN THE WALL AND DRILL IT ACCORDING TO THE HEIGHT MEASUREMENTS GIVEN ON THE SIDE. UPPER HOLES SHOULD BE DRILLED FOR ATTACHING BED AT NEXT STEP.

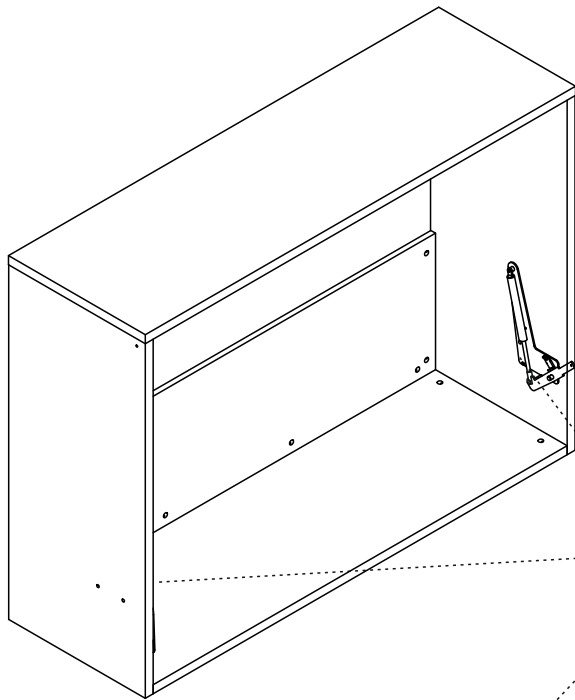


**NOT INCLUDED**

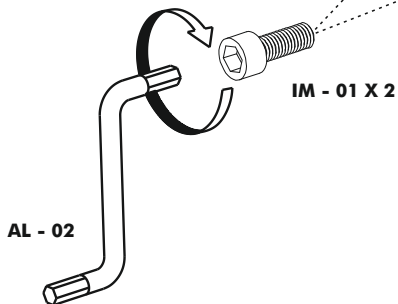
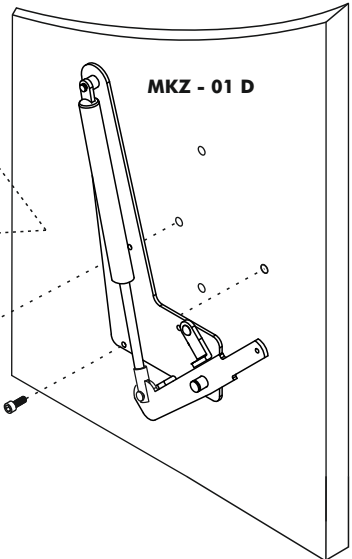
SUPPLY DRYWALL FASTENERS APPROPRIATE TO YOUR WALL TYPE. WE RECOMMEND USING STEEL TOGGLE BOLT ANCHOR THAT SHOWN BELOW



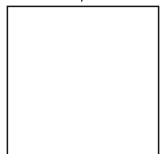
STEP 8



**CAUTION**  
DO NOT UNLOCK BEFORE INSTALL

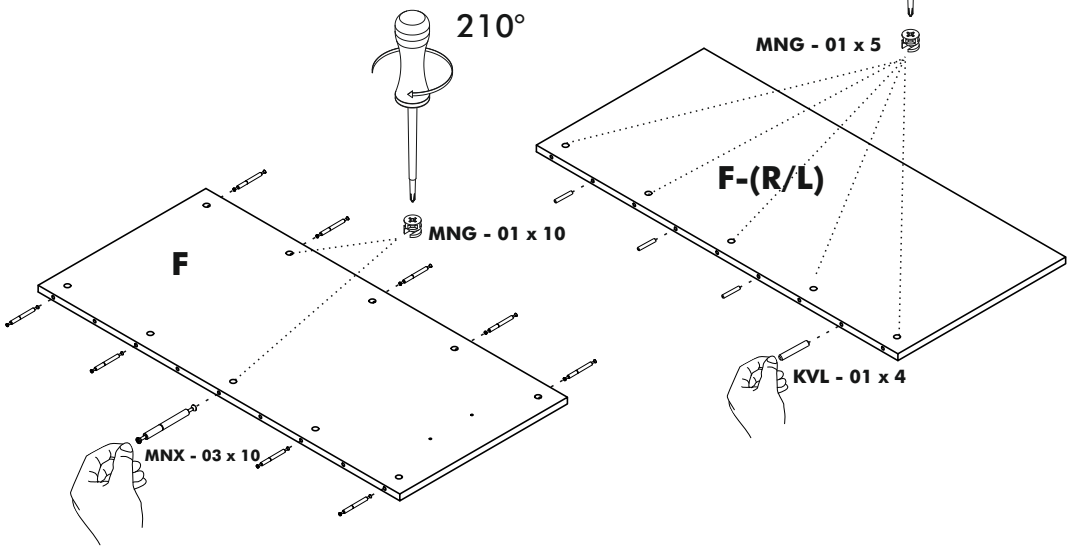
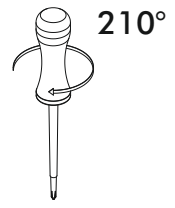
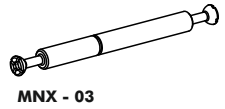
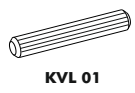


VIDEO

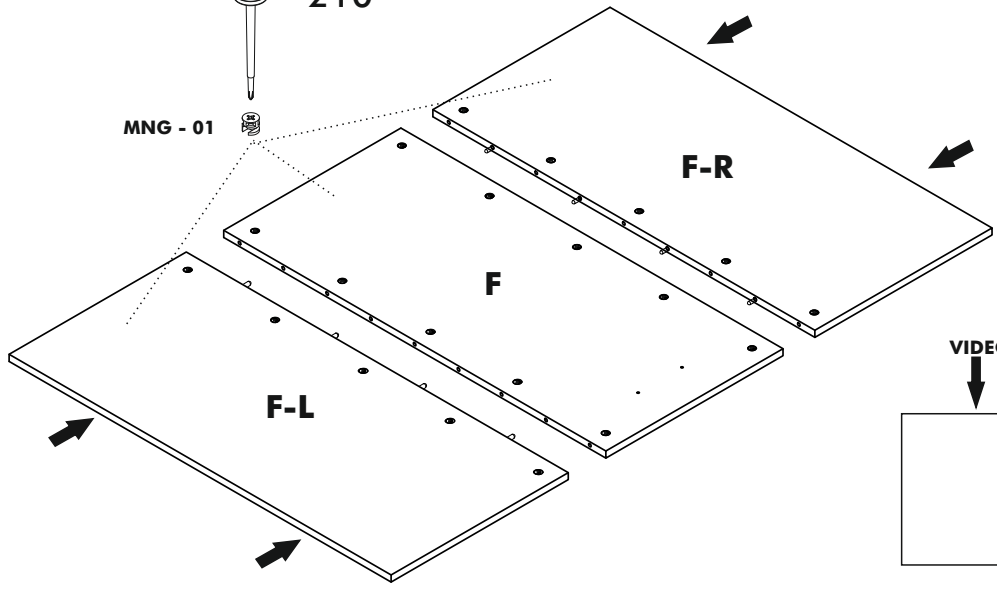
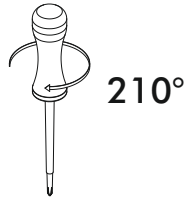


link

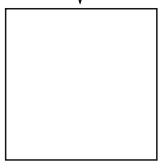
**STEP 9**



**STEP 10**

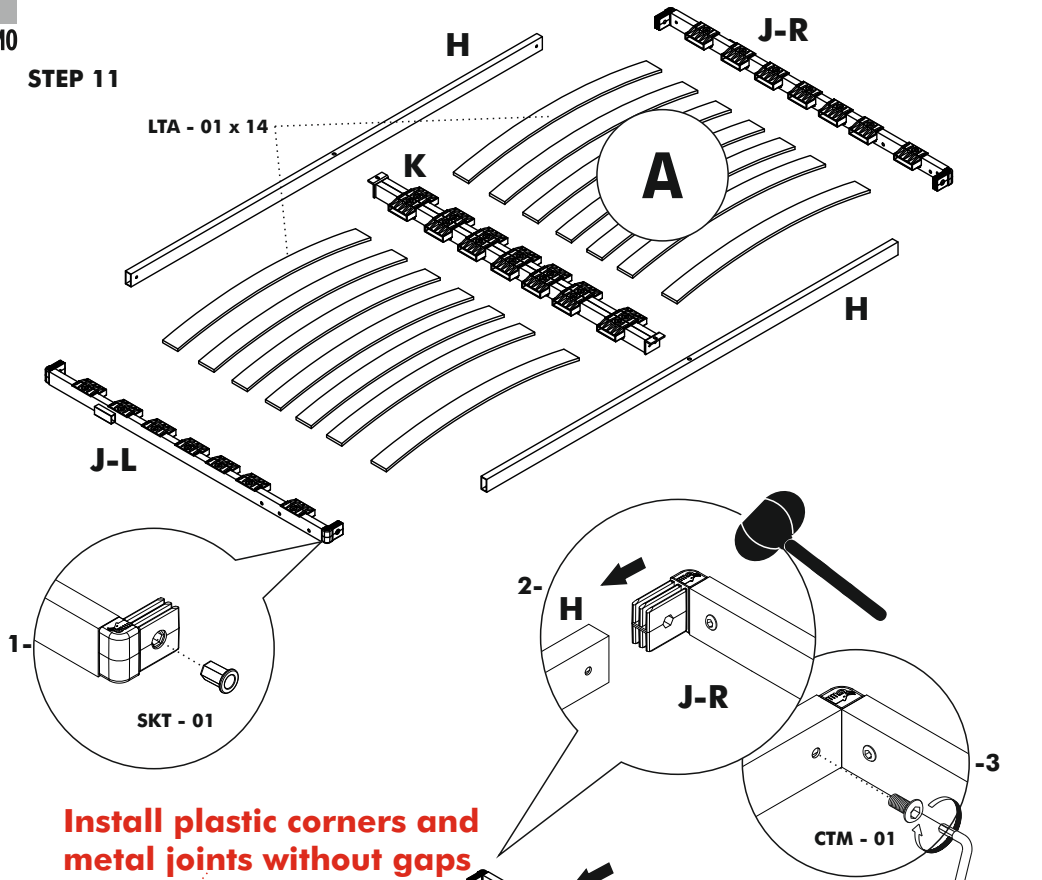


**VIDEO**



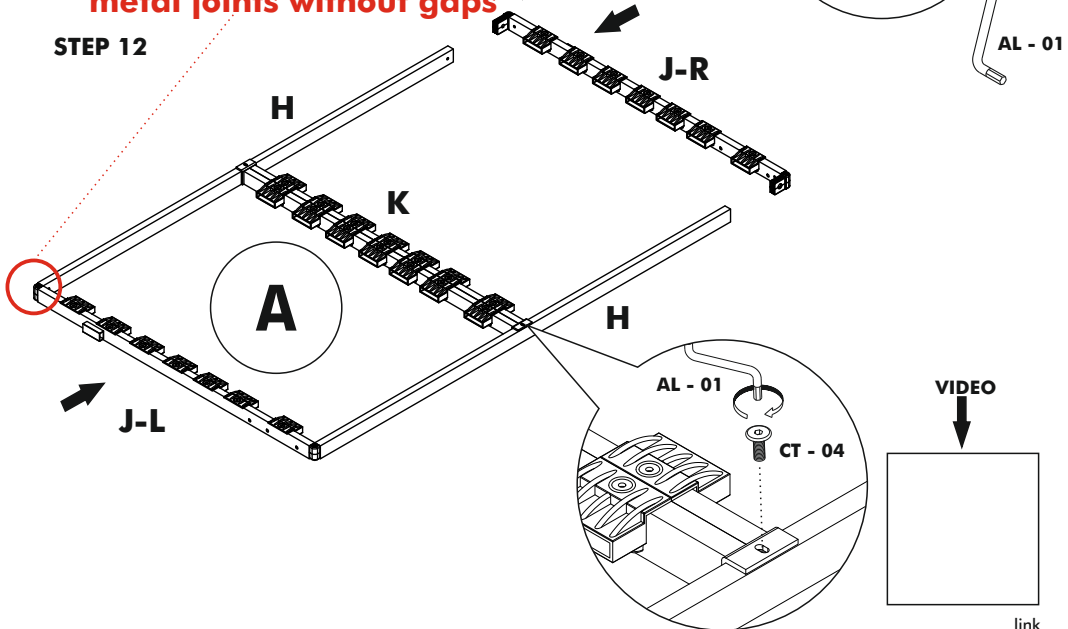
link

STEP 11



**Install plastic corners and metal joints without gaps**

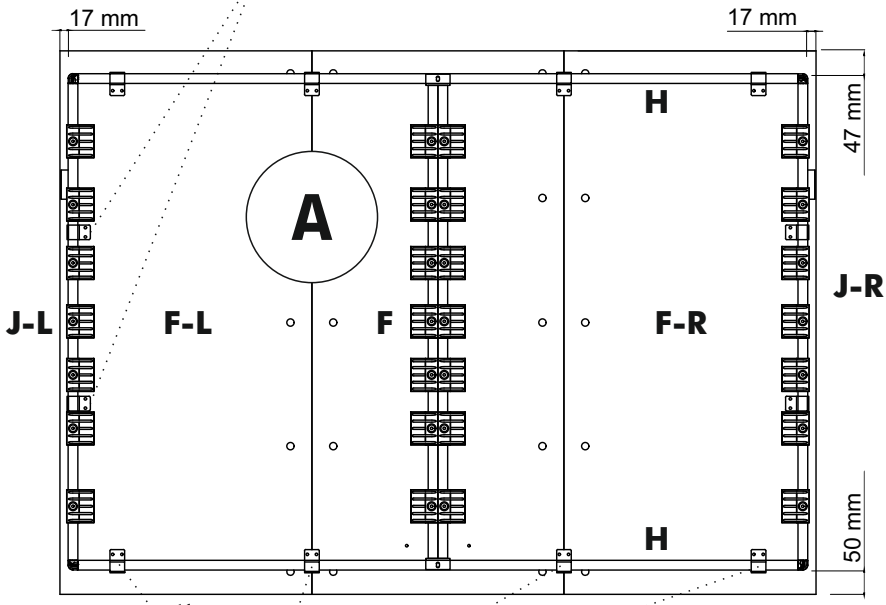
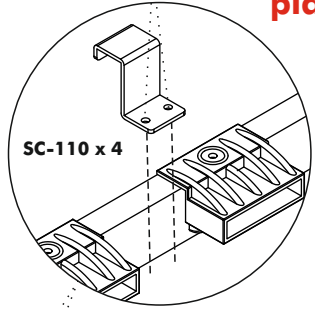
STEP 12



**STEP 13**

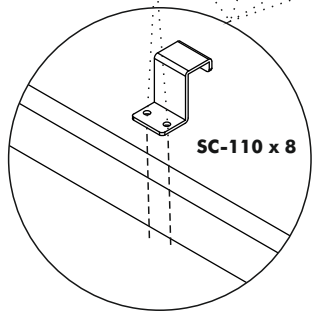
**VTB - 02 x 8**

**Assemble the brackets over the places shown over J-R, J-L profiles**

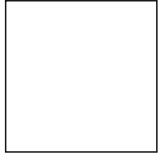


**VTB - 02 x 16**

**Assemble the brackets over the places shown over H profiles**



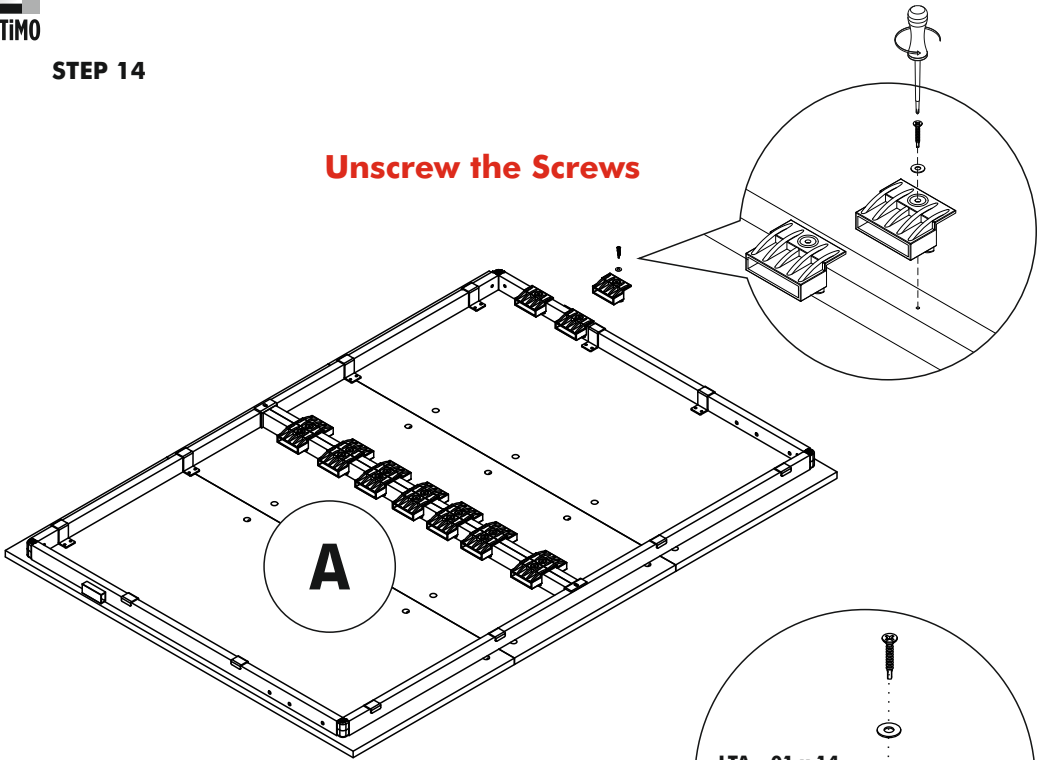
**VIDEO**



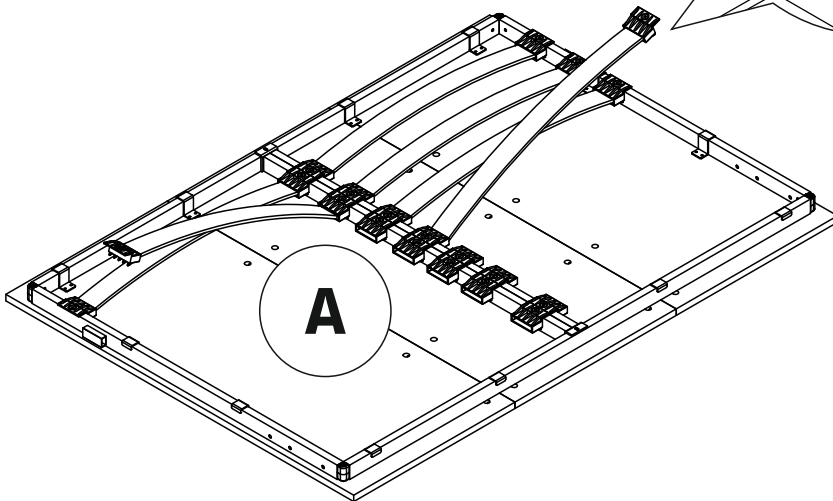
link

STEP 14

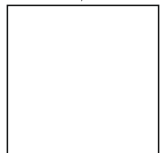
Unscrew the Screws



STEP 15

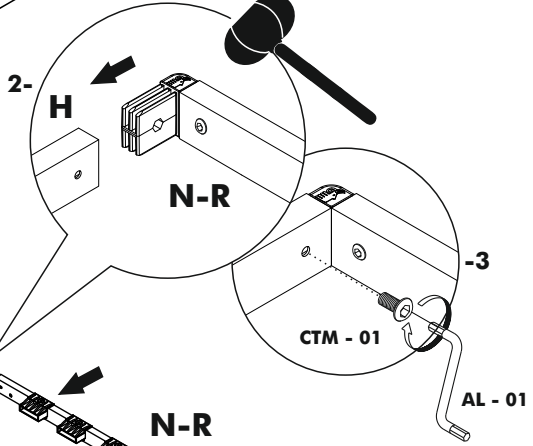
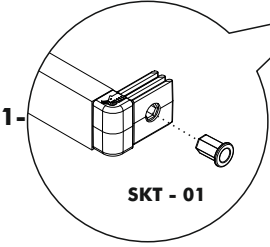
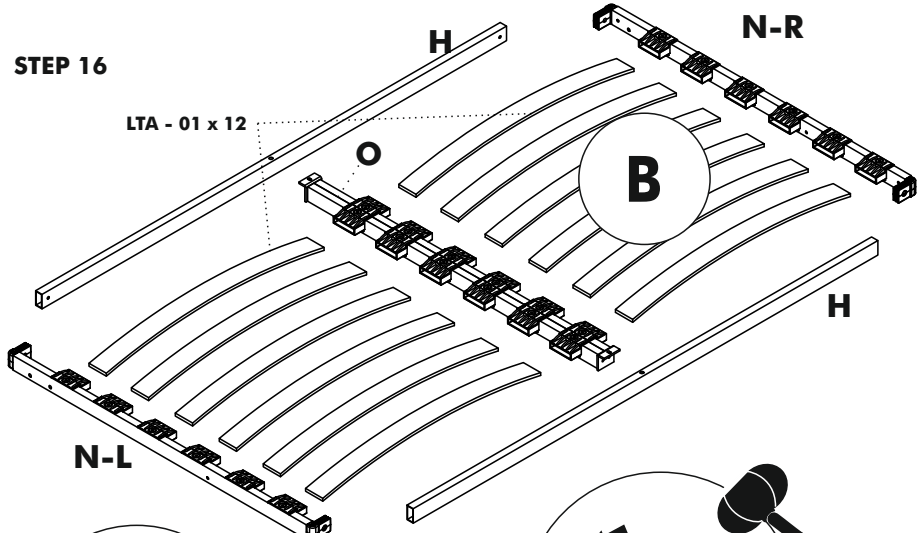


VIDEO

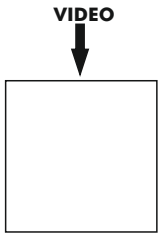
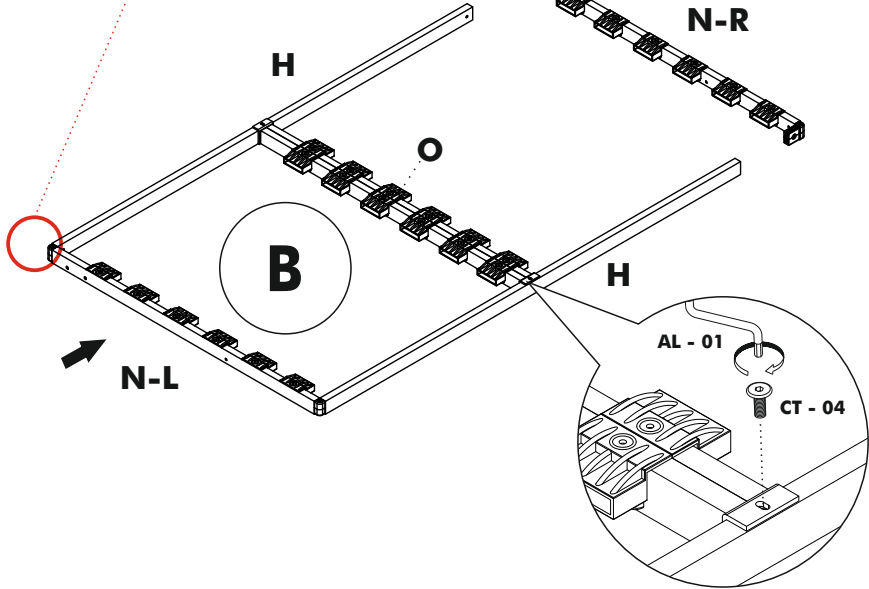


link

**STEP 16**

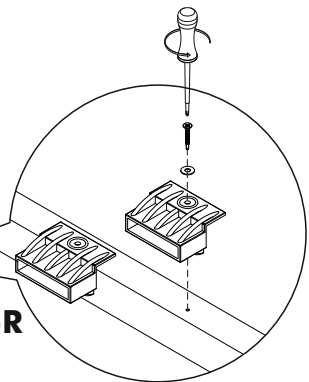
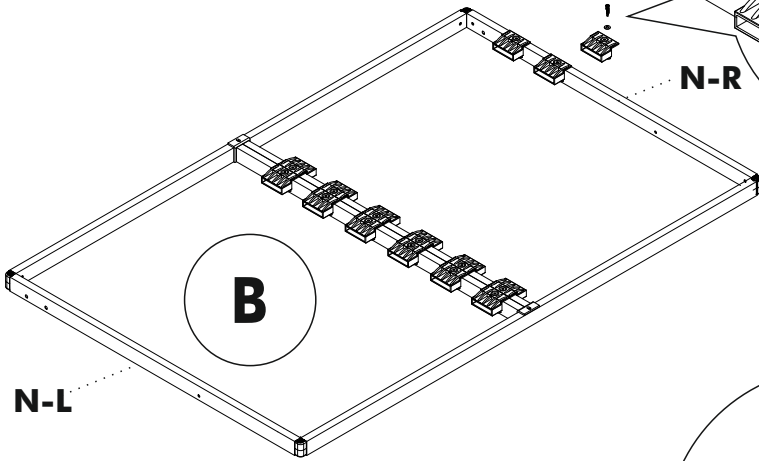


**Install plastic corners and metal joints without gaps**

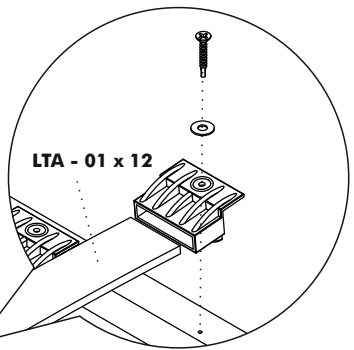
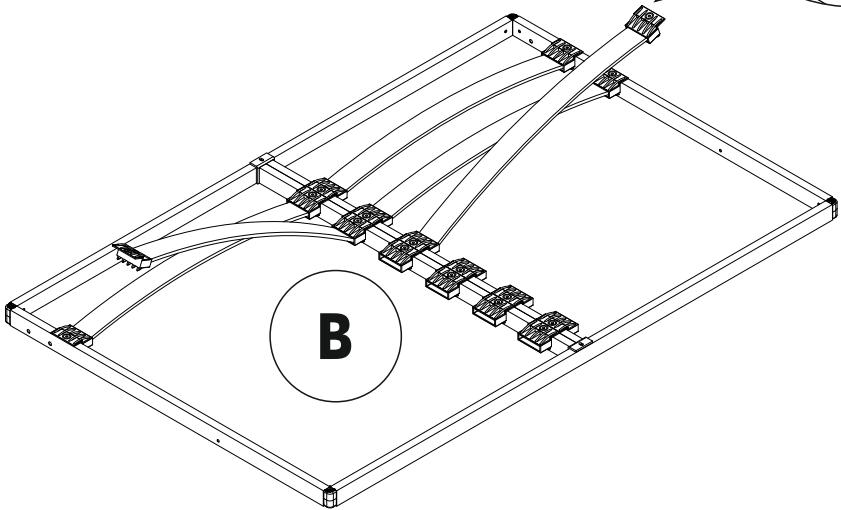


STEP 17

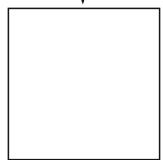
Unscrew the Screws



STEP 18

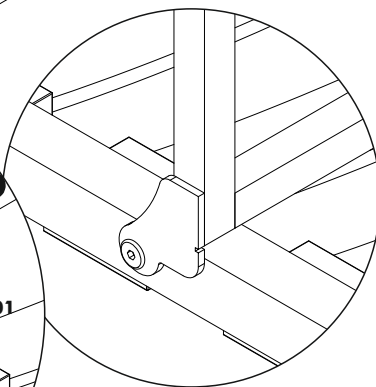
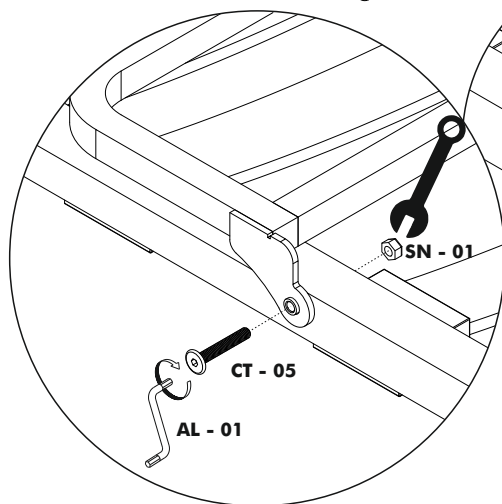
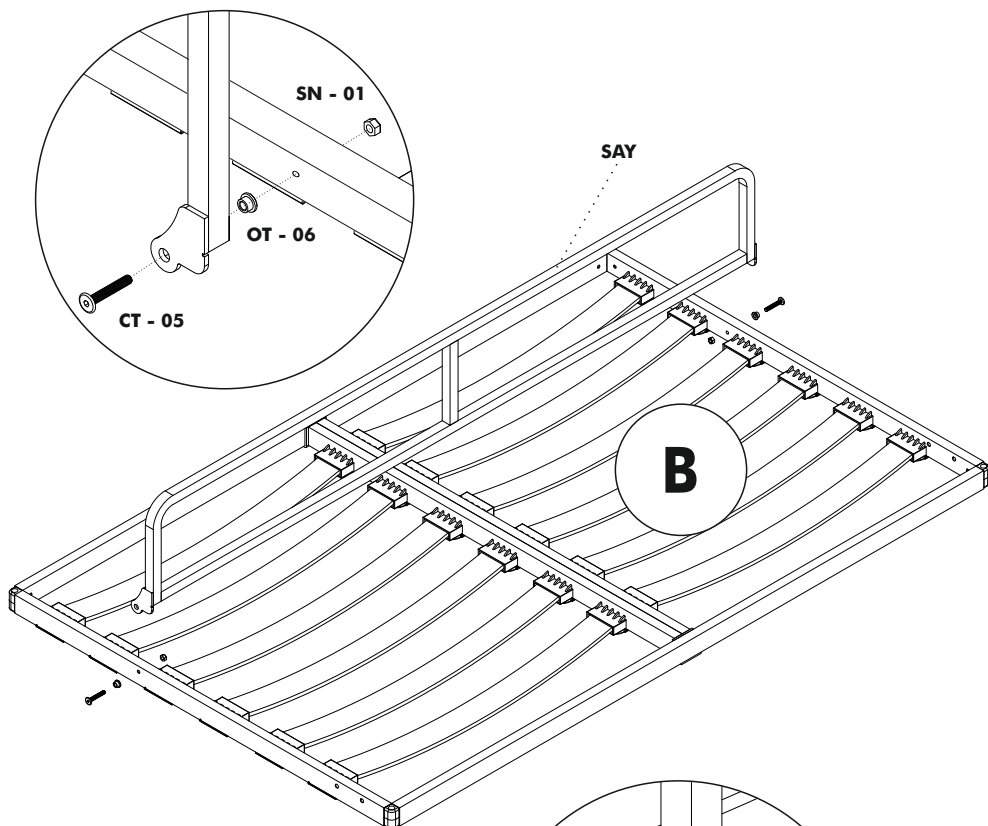


VIDEO

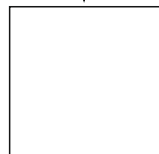




**STEP 19**

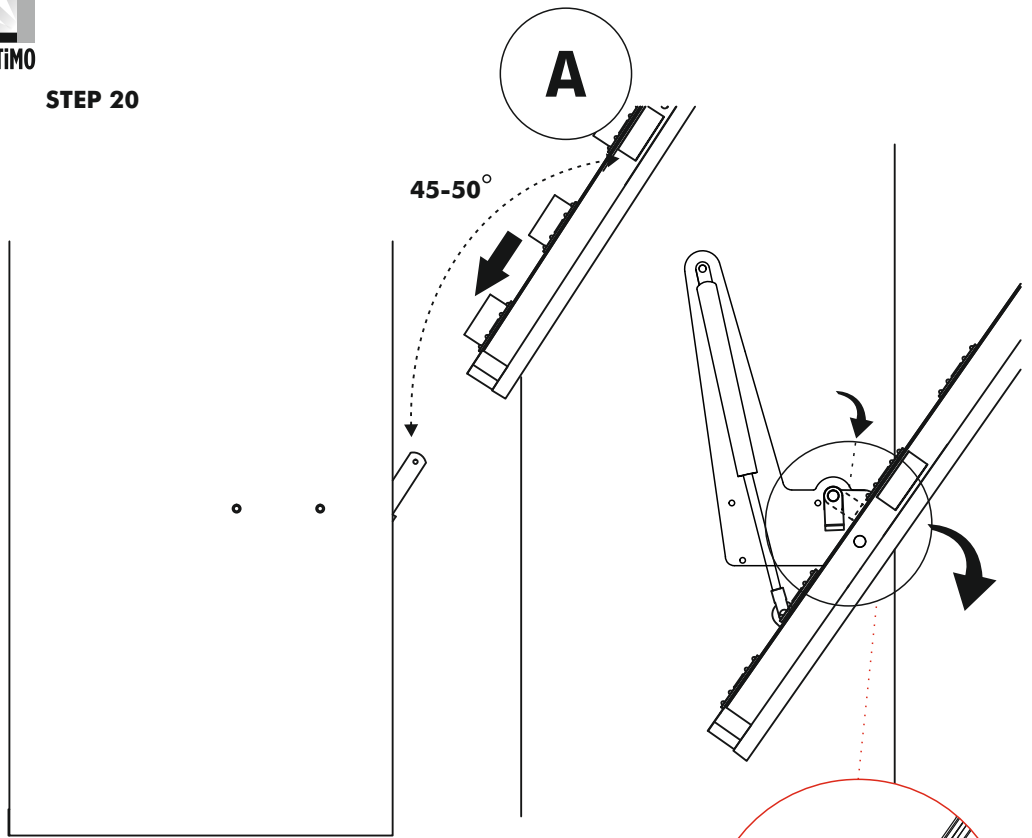


**VIDEO**

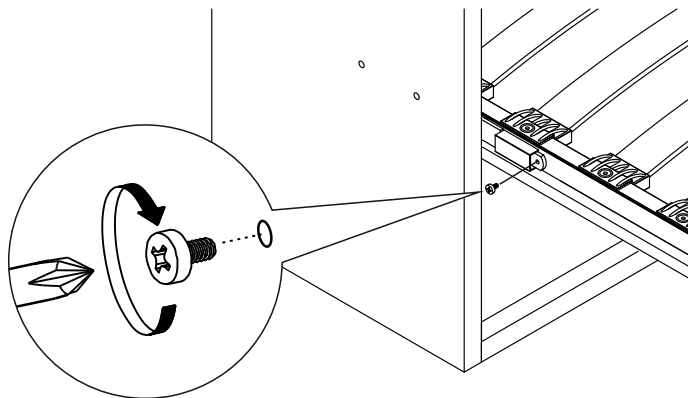
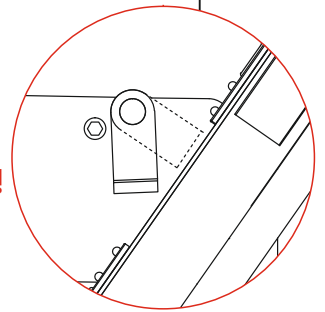


link

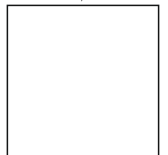
STEP 20



**LET THE STOPPER LOCK MOVE DOWN !!!**

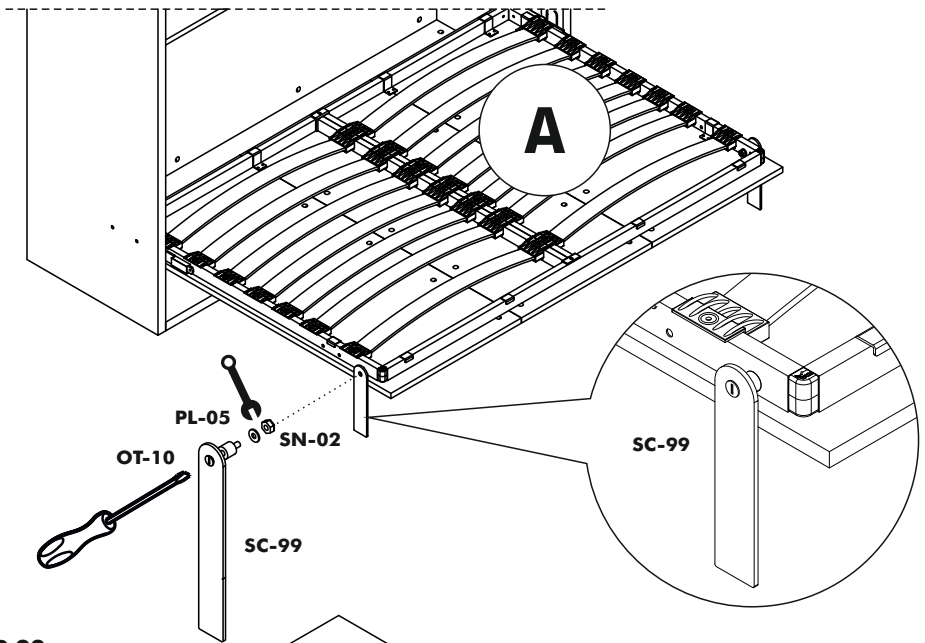


VIDEO

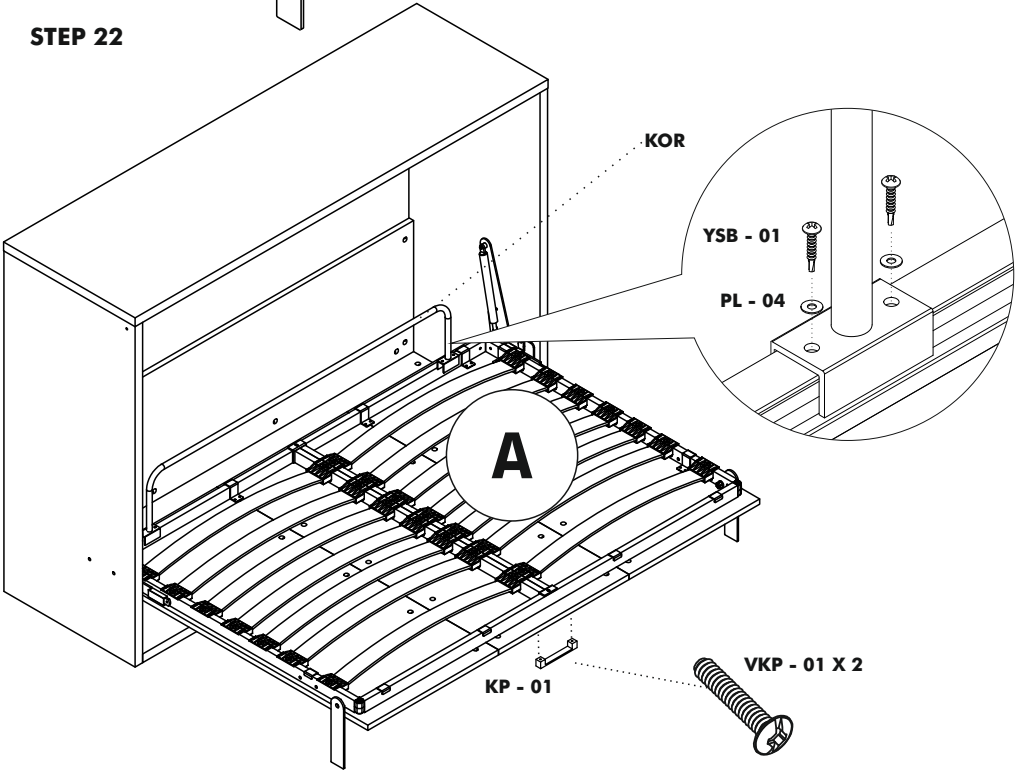


link

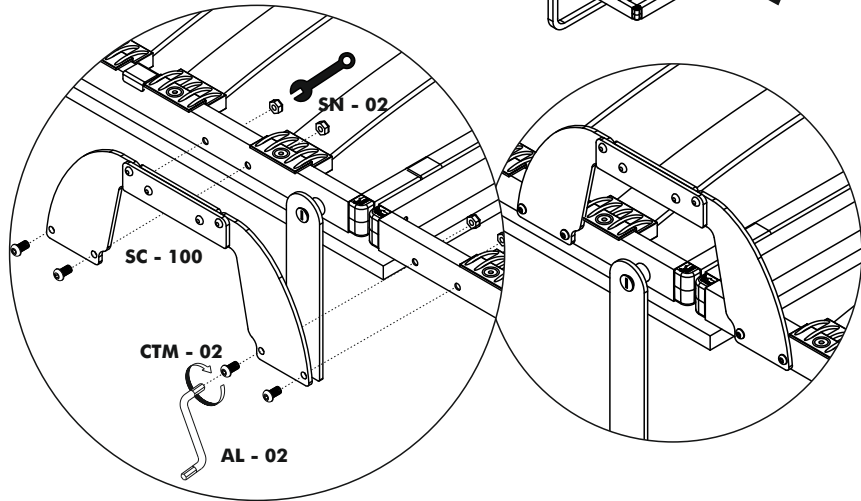
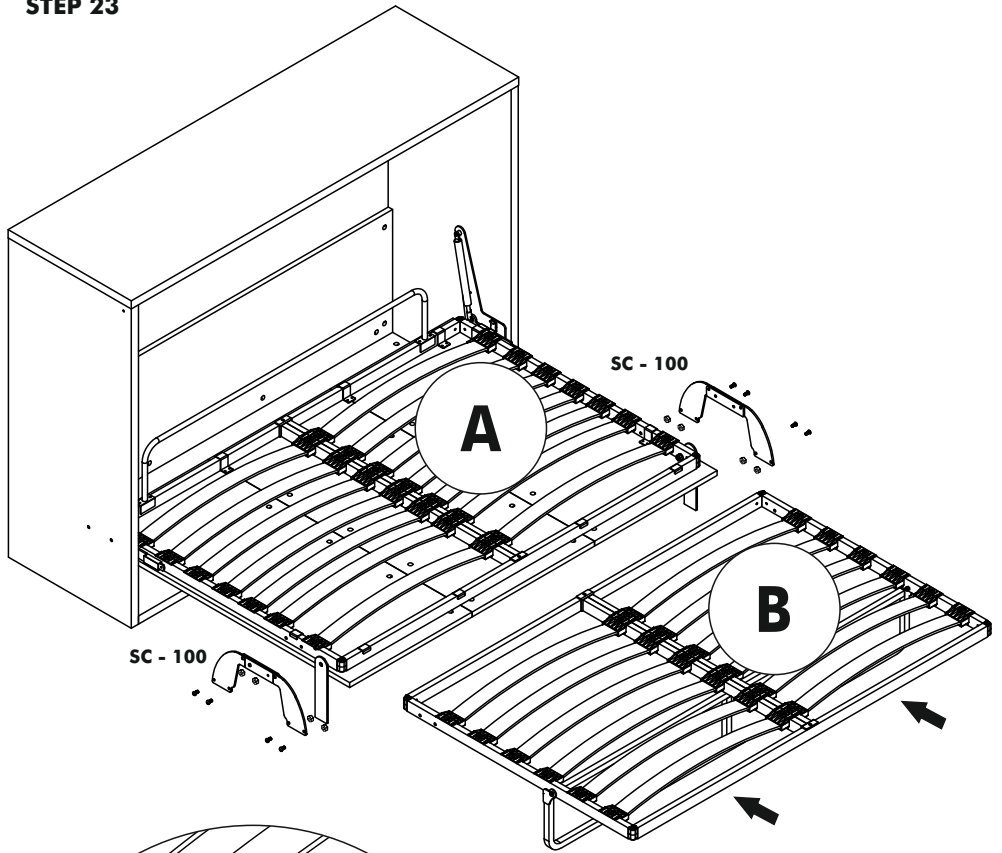
**STEP 21**



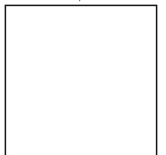
**STEP 22**



STEP 23

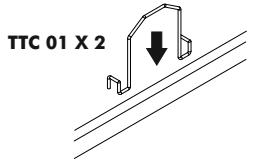
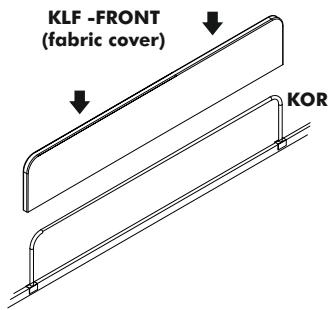
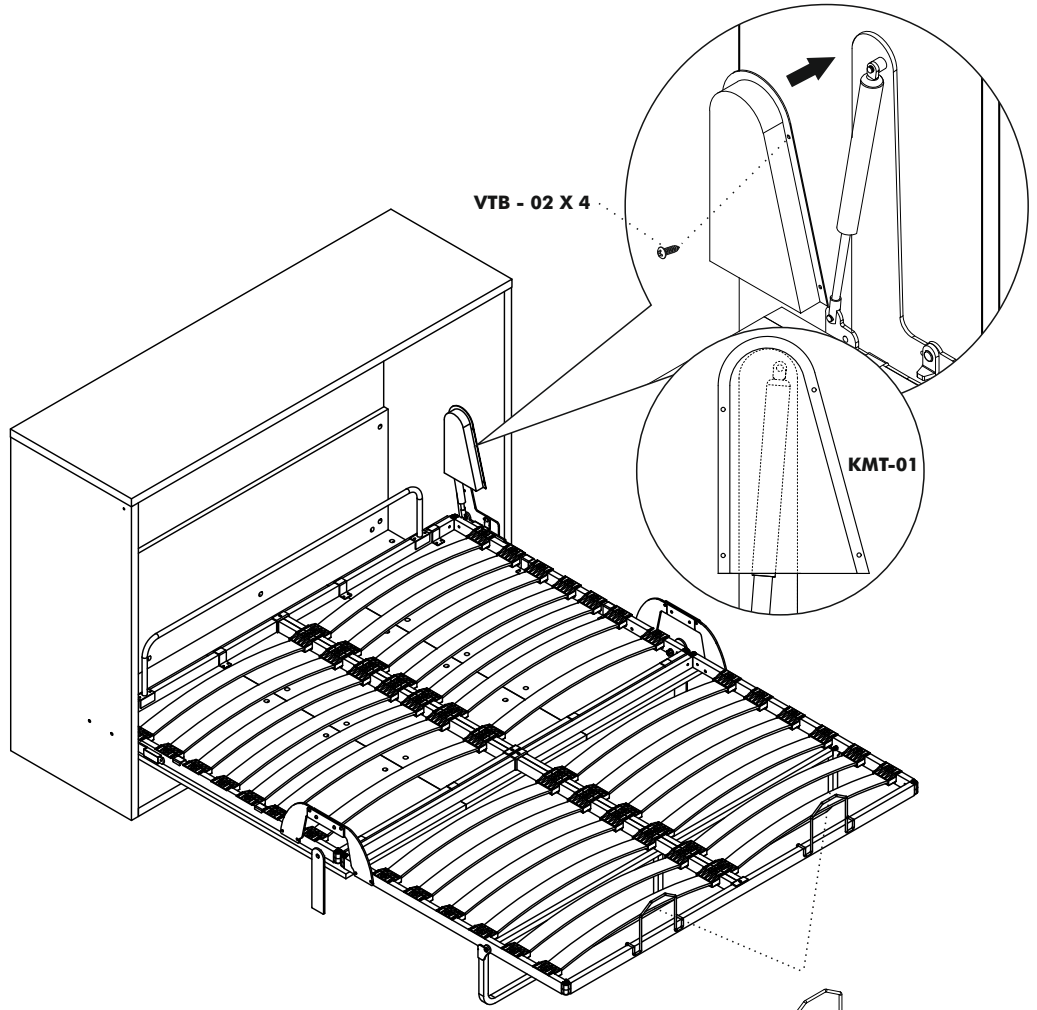


VIDEO

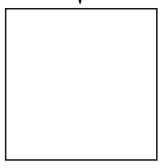


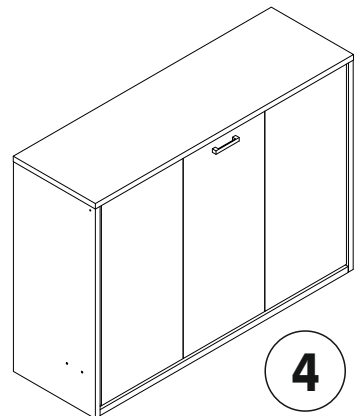
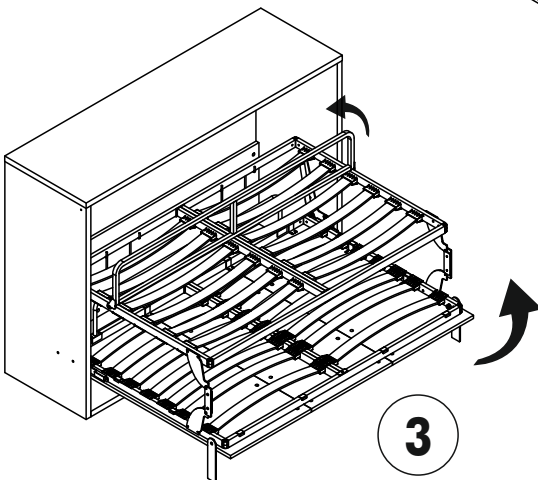
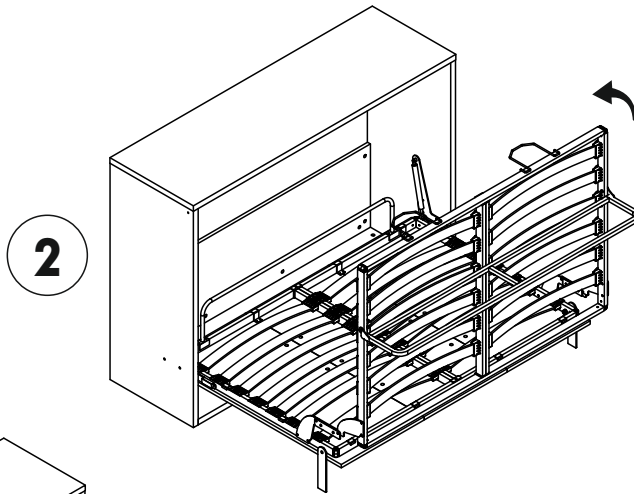
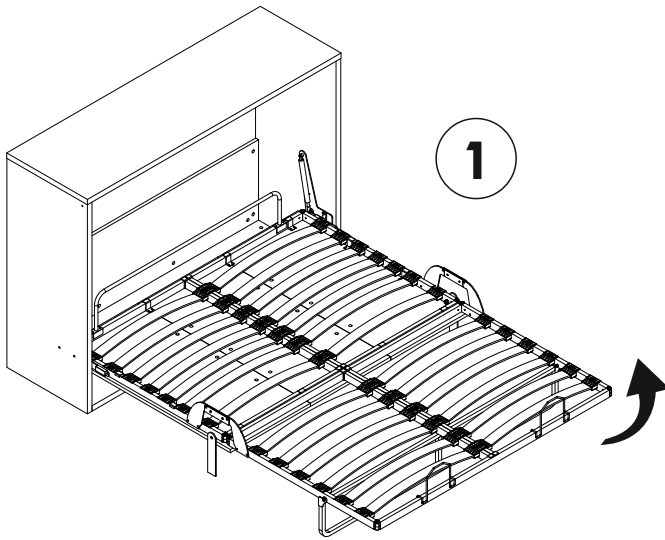
link

**STEP 24**



**VIDEO**





1. Wall beds must be securely attached to the wall. Hardware for mounting to concrete, brick or similar strong material is included.
2. When mounting to drywall, wall beds must be attached to wooden or metal studs in 2 or 3 points. Do not mount wall beds directly to drywall or paper-mache type wall without properly attaching it to studs. Please choose appropriate fasteners for the type of wall the bed will be mounted on. Drywall mounting hardware is not included.
3. For safety and product longevity you must periodically inspect the integrity and tightness of the mounting and mechanical connections. Confirm hardware remains properly affixed and connections are snug.
4. Do not lean or rest heavy objects on sides or top of furniture. This may cause balance issues and compromise the integrity of your mounting connections.
5. Please use wall beds and integrated shelves, desks and sofas as intended. Do not jump and/or exceed supported weight limits. Do not sit or lean on integrated shelves and desks. Improper use may cause personal injury and damage to property.
6. With seasonal humidity change please inspect the interior and exterior of the furniture for deformation and/or discoloration.
7. Before any un-mounting or disassembly please contact Multimo Beds for technical support and instructions. Failure to properly detach may result in personal injury and damage to property.



## WARNINGS

### IMPORTANT! HAZARD WARNING!

All Wall Beds contain sophisticated and powerful lifting mechanism. Failure to follow assembly and installation instructions may result in **severe personal injury and damage of the product.**

### SECURE RIGIDLY TO A WALL!

Improper attaching wall bed to a wall will create a tip-over hazard and may result in severe personal injury or even death.  
**ONLY qualified installers should install or remove a wall bed.**



## WARRANTY

### RETAIL RESIDENTIAL TERM

Lifetime guarantee on hardware.  
**5 year** structural guarantee on cabinetry.

### COMMERCIAL TERM

Lifetime guarantee on hardware.  
**2 year** structural guarantee on cabinetry.



[www.multimobeds.com](http://www.multimobeds.com)