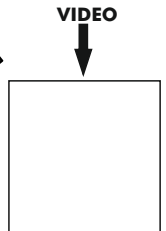
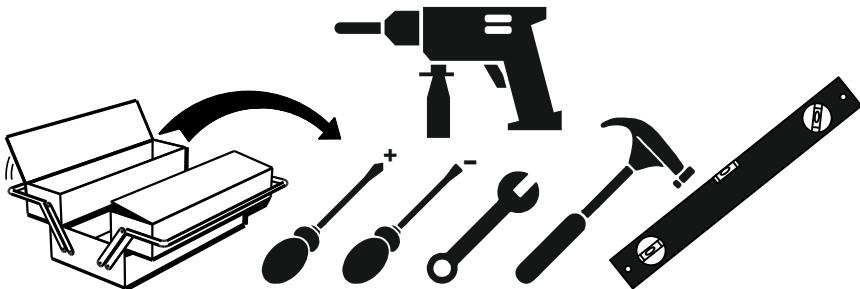
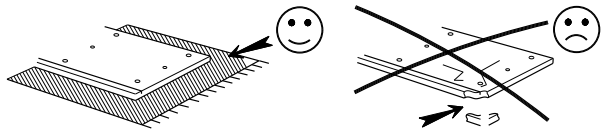
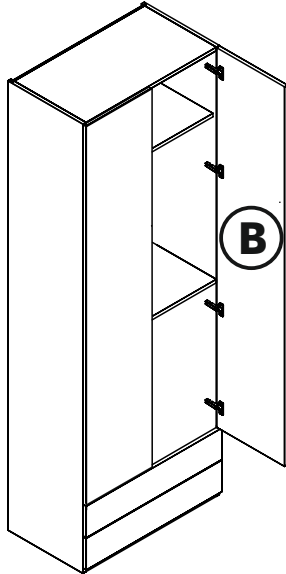
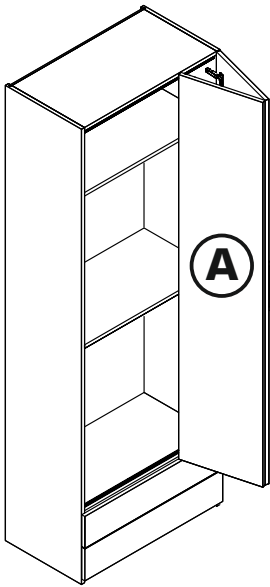




MULTIMO

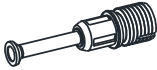

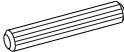



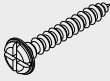
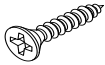
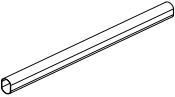



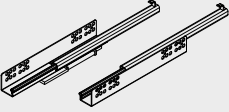
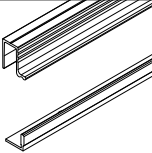

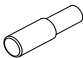
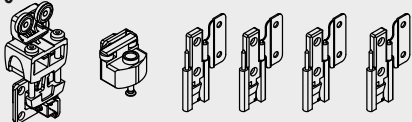

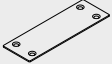
A 210.1 DOUBLE WARDROBE BI-FOLD DOOR

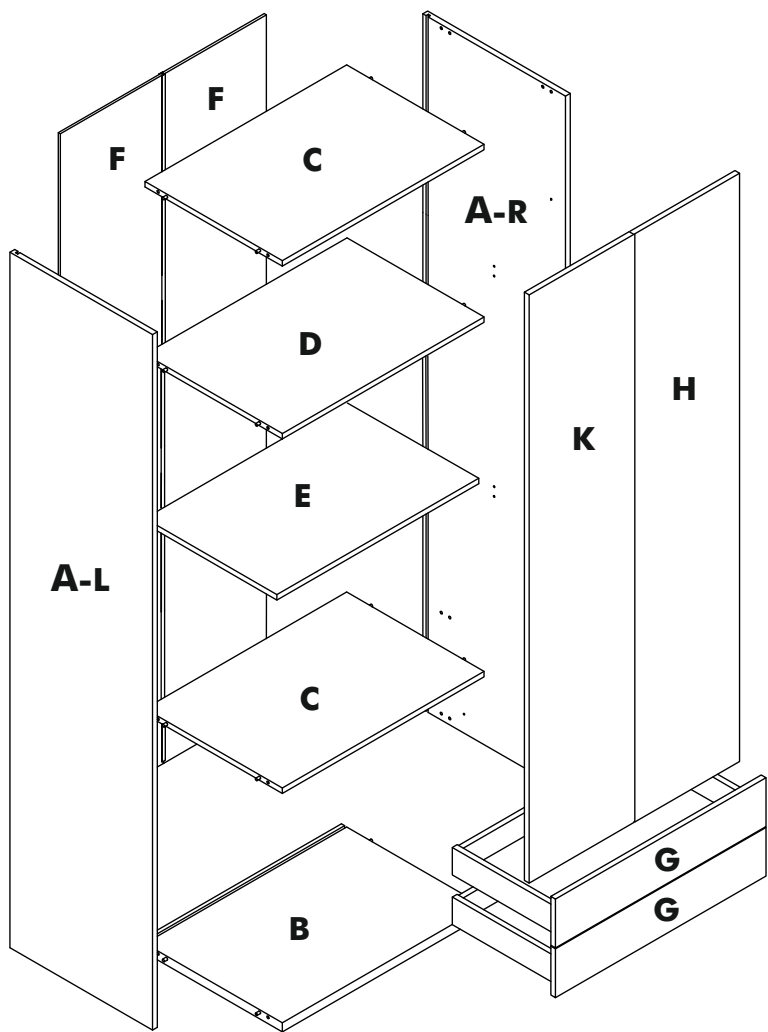


link

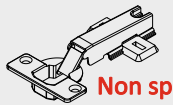
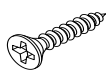
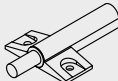
Track Title	Piece	(inch)			(mm)			
		Thickness	Length	Width	Piece	Thick	Height	Most
A	2	0,71	89,76	16,54	2	18	2280	420
B	1	1,18	30,08	16,54	1	30	764	420
C	2	0,71	30,08	15,75	2	18	764	400
D	1	0,71	30,08	15,75	1	18	764	400
E	1	0,71	30,08	14,96	1	18	764	380
F	2	0,31	88,94	15,31	2	8	2259	389
G	2	6,30	14,57	31,38	2	160	370	797
H	1	0,71	75,83	15,63	1	18	1926	397
K	1	0,71	75,83	15,63	1	18	1926	397

Accessories List ; **(A)**

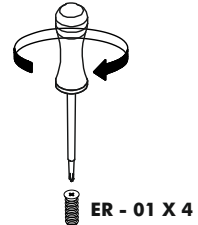
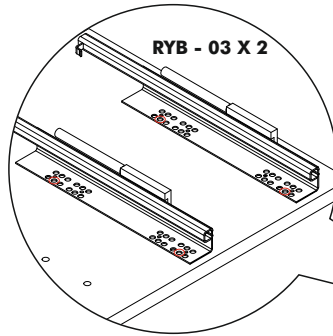
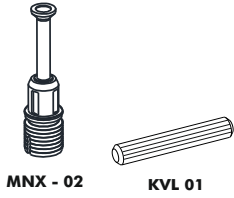
MNX 02  16 / piece	MNG - 01  16 / piece	KVL 01  16 / piece	TAP - 01  16 / piece
TS - 01  Hinges with spring 4 / piece	AF - 02  4 / piece	VD - 02 (3,5x25) mm  12 / piece	VD - 03 (3,5x18) mm  52 / piece
BO - 01  2 / piece	ER - 01  8 / piece	VKP - 01 (22) mm  2 / piece	KP - 01 (224) mm  1 / piece
RYB - 03  2 / piece	WL R-770  1 / piece	H 01  1 / piece	PM - 01  4 / piece
WL M-770  1 / piece	VTB - 01 (4,8x16) mm  8 / piece	BRK - 01  2 / piece	



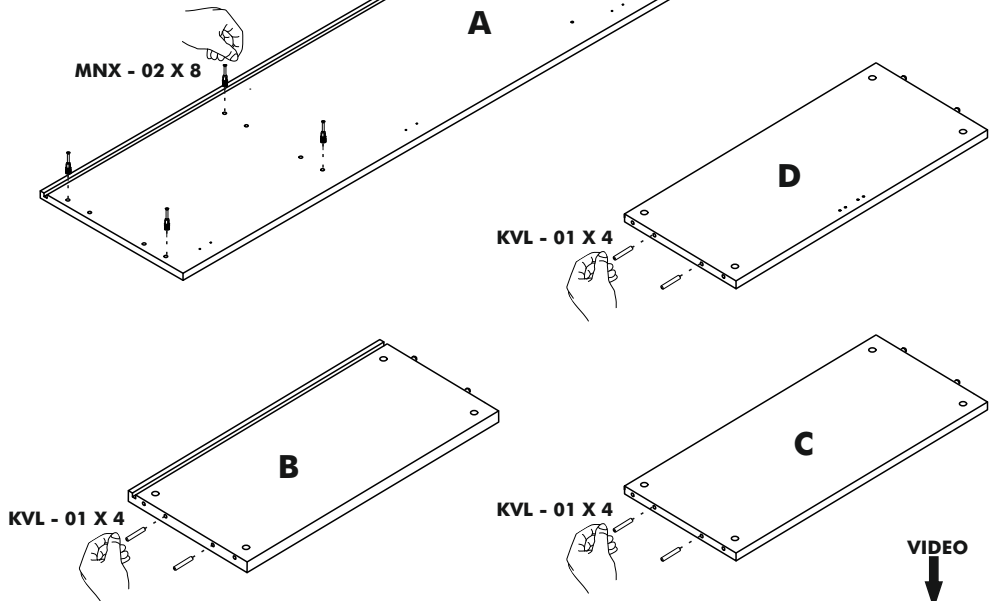
Accessories List ; **(B)**

<p>TS - 01</p>  <p>Non spring hinges</p> <p>8 / piece</p>	<p>VD - 03 (3,5x18) mm</p>  <p>36 / piece</p>	<p>BS - 01</p>  <p>2 / piece</p>
--	--	---

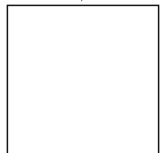
STEP 1



**TRACK TITLE
A LEFT / A RIGHT**

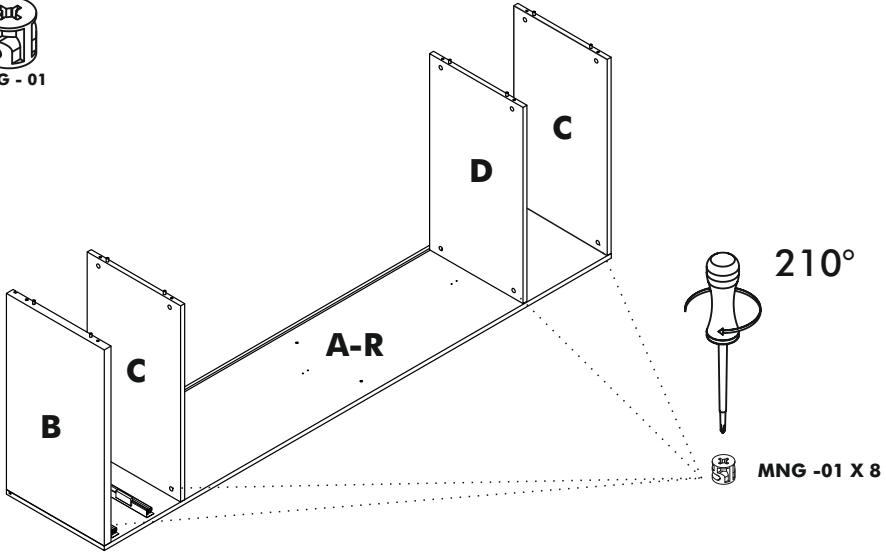


VIDEO

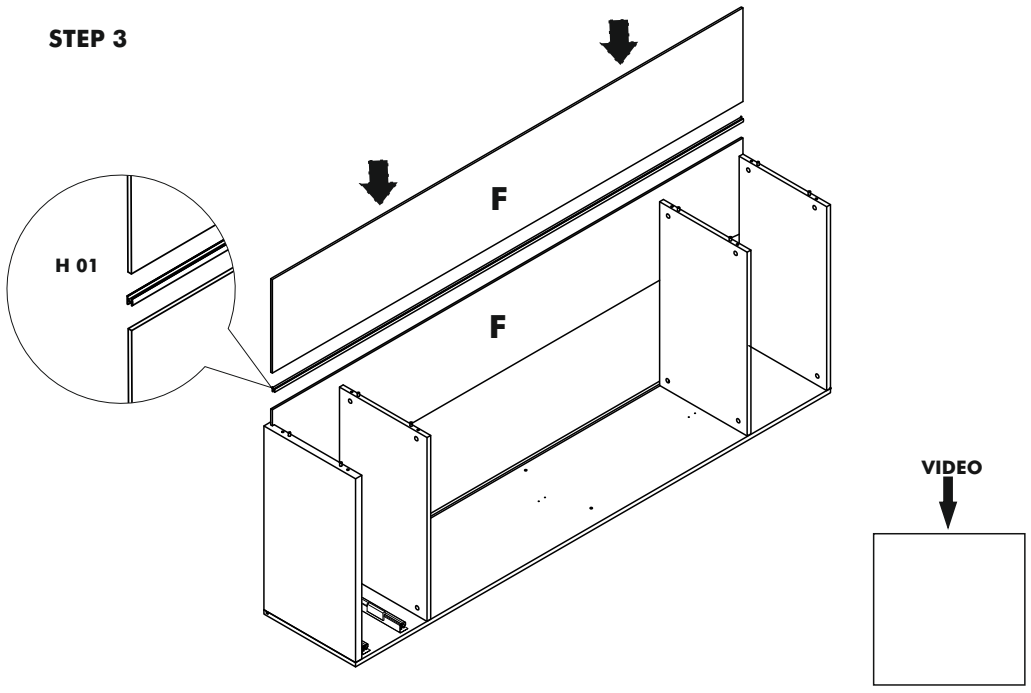


link

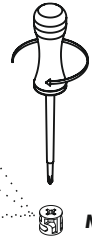
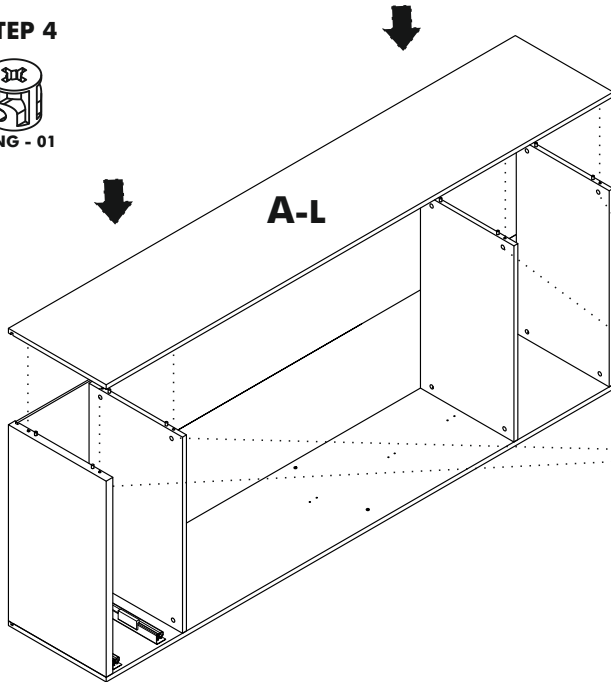
STEP 2



STEP 3



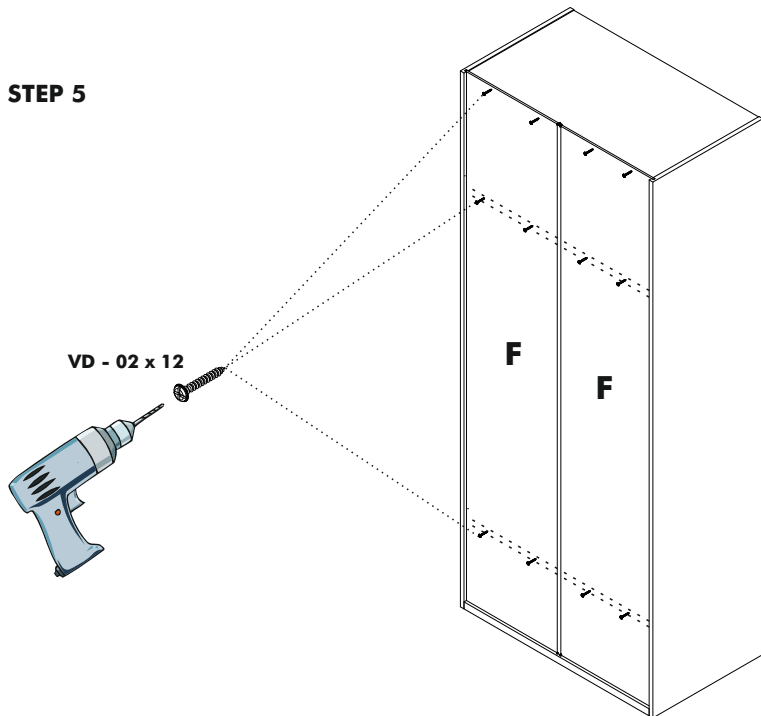
STEP 4



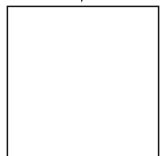
210°

MNG - 01 X 8

STEP 5

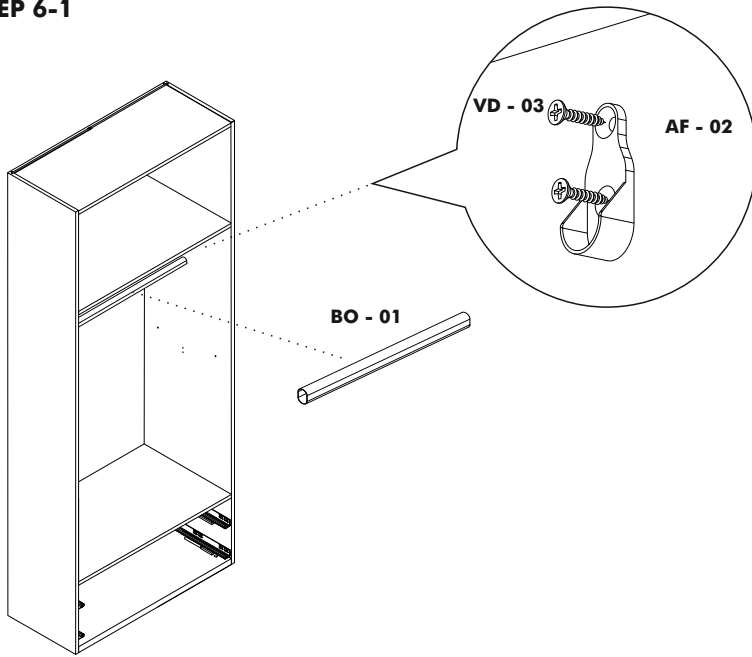


VIDEO

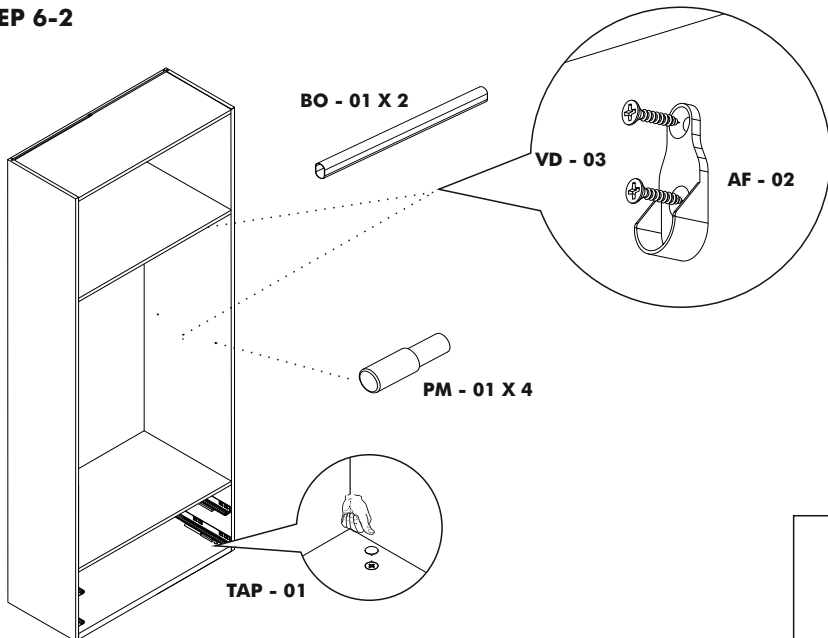


link

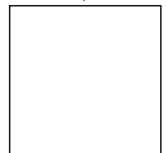
STEP 6-1



STEP 6-2

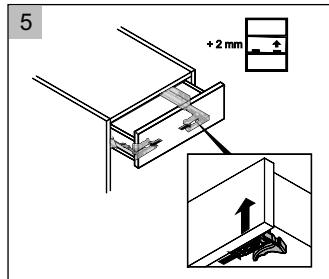
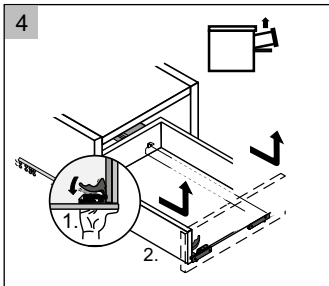
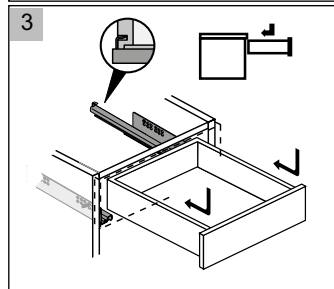
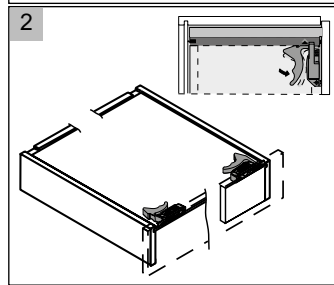
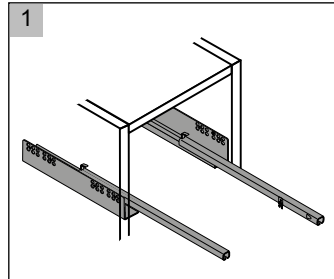
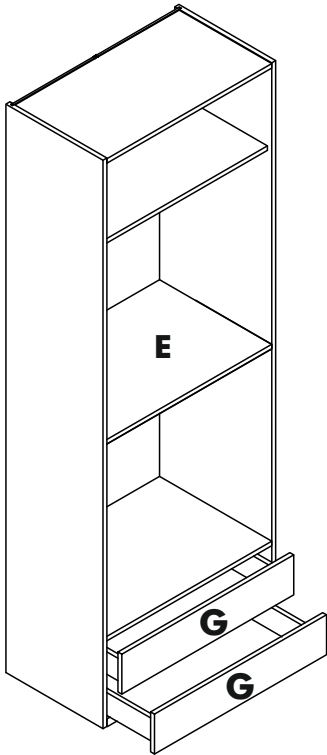


VIDEO

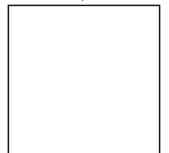


link

STEP 7



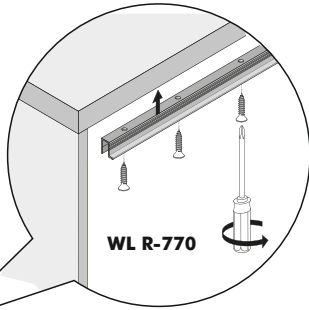
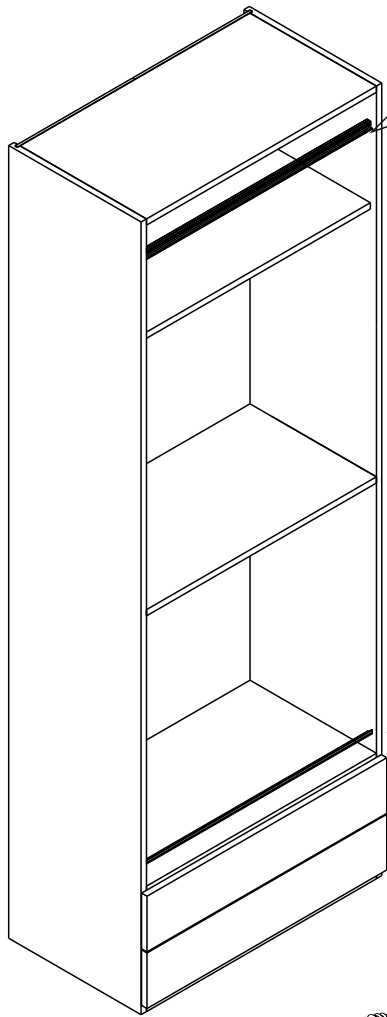
VIDEO



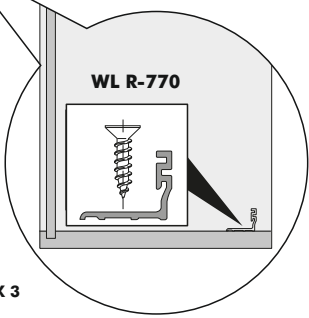
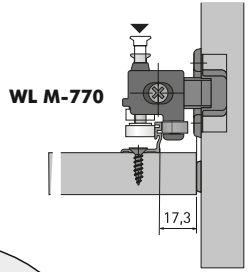
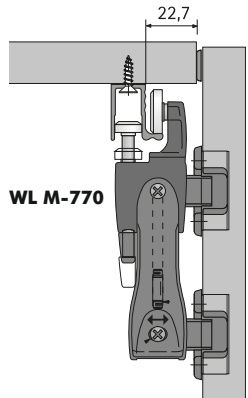
link

STEP A-8

A



VD - 03 X 3



VD - 03 X 3

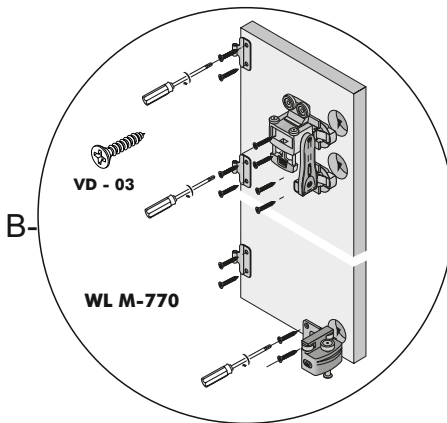
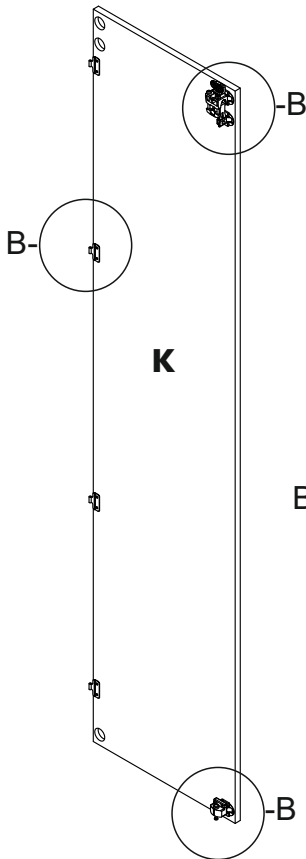
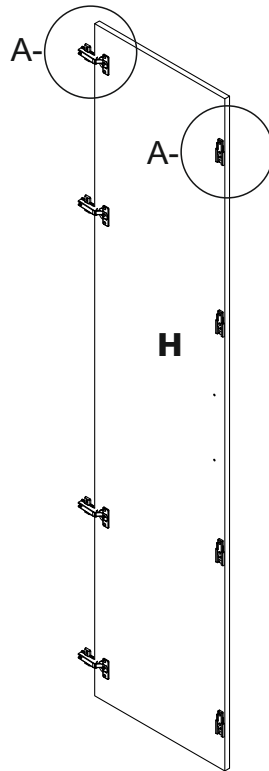
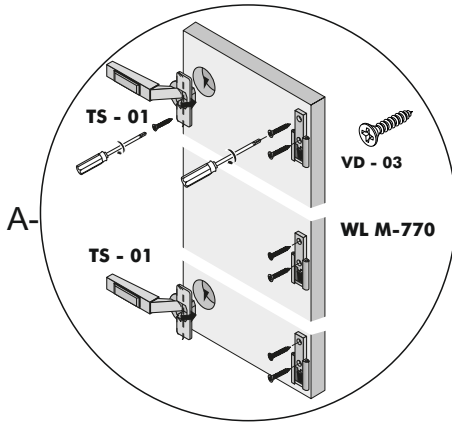
VIDEO



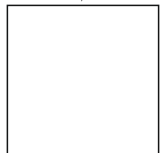
link

STEP A-9

Hinges with spring

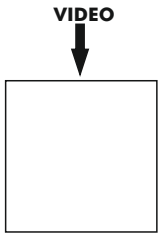
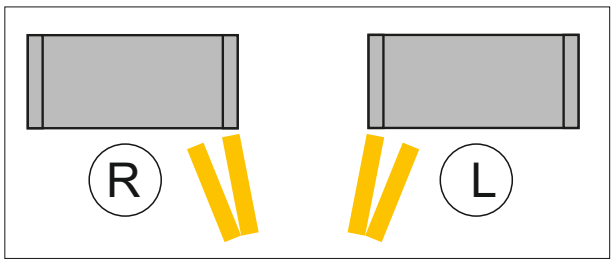
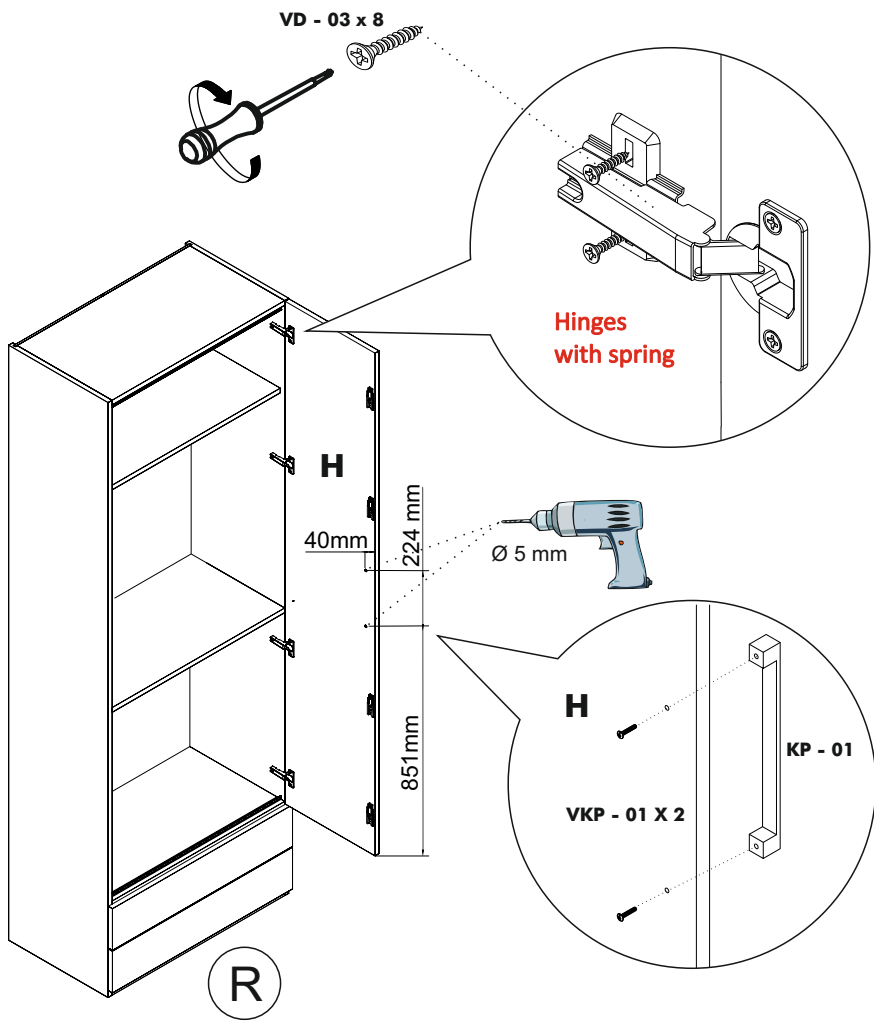


VIDEO

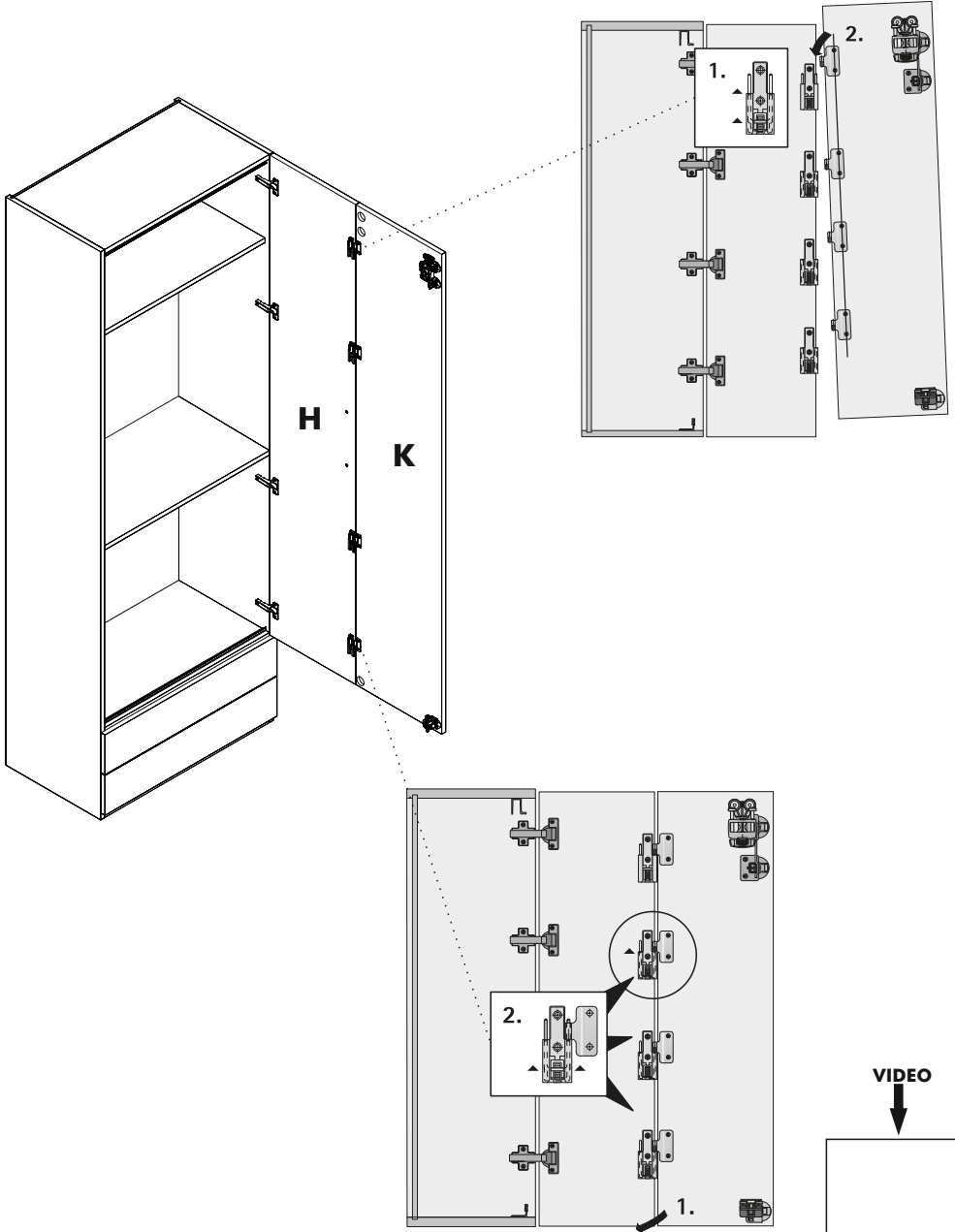


link

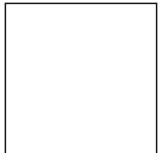
STEP A-10



STEP A-11

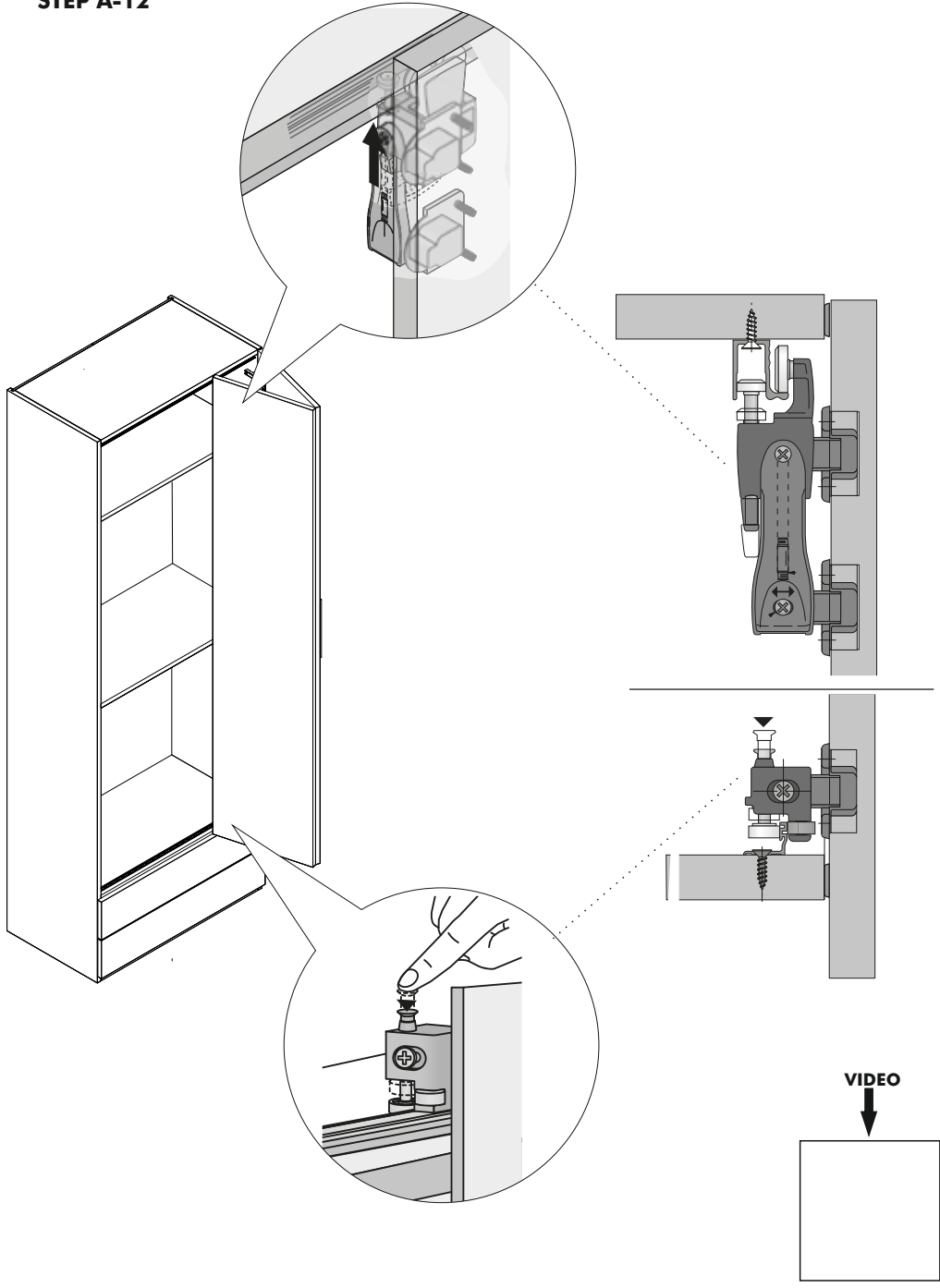


VIDEO

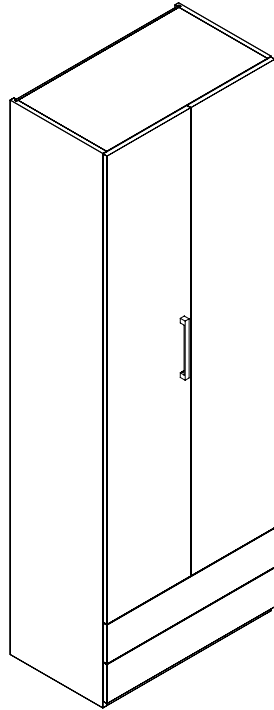
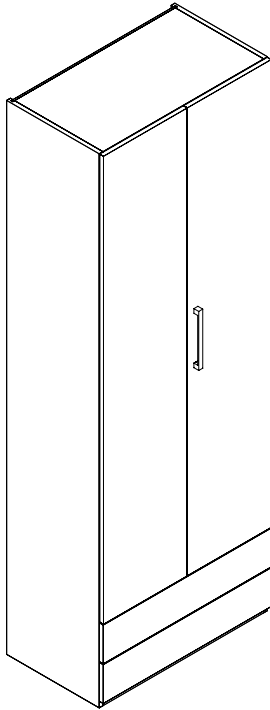


link

STEP A-12



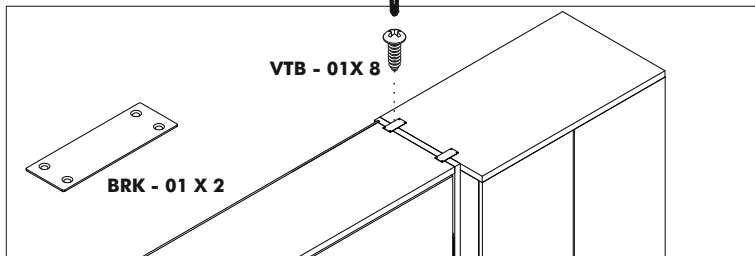
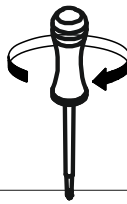
STEP A-13



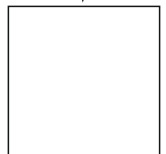
L



R

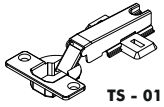


VIDEO



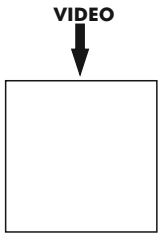
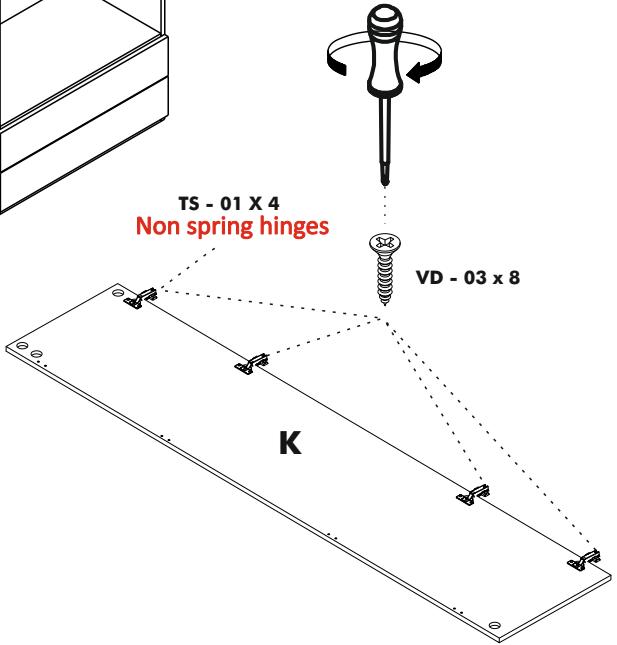
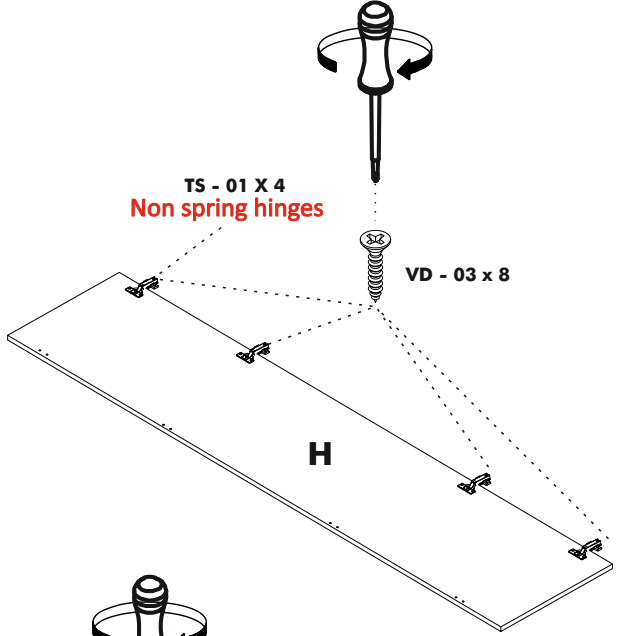
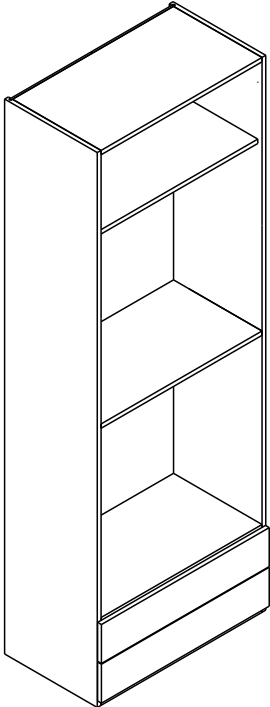
link

STEP B-8

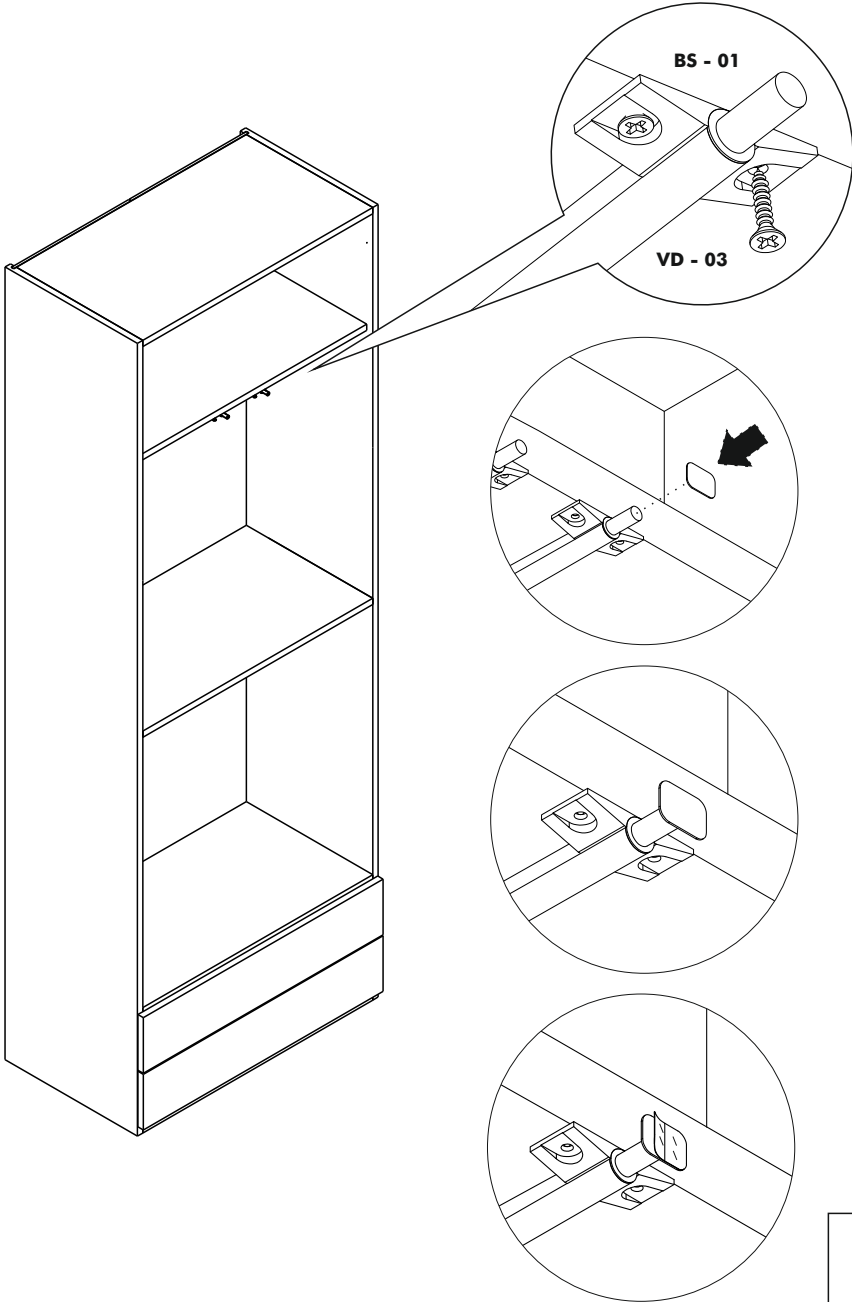


Non spring hinges

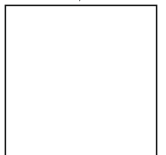
B



STEP B-9



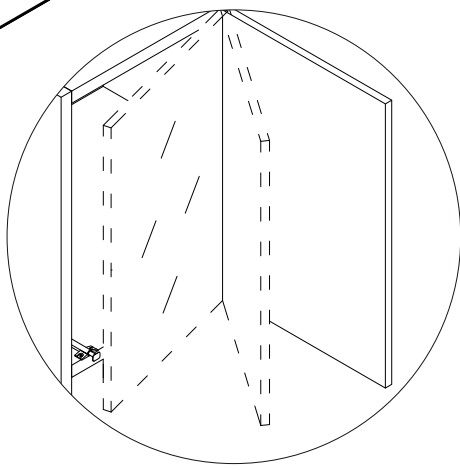
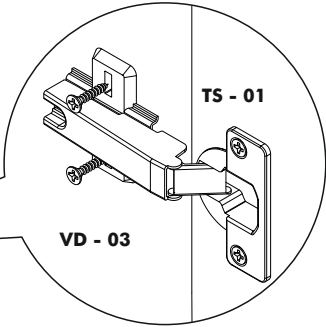
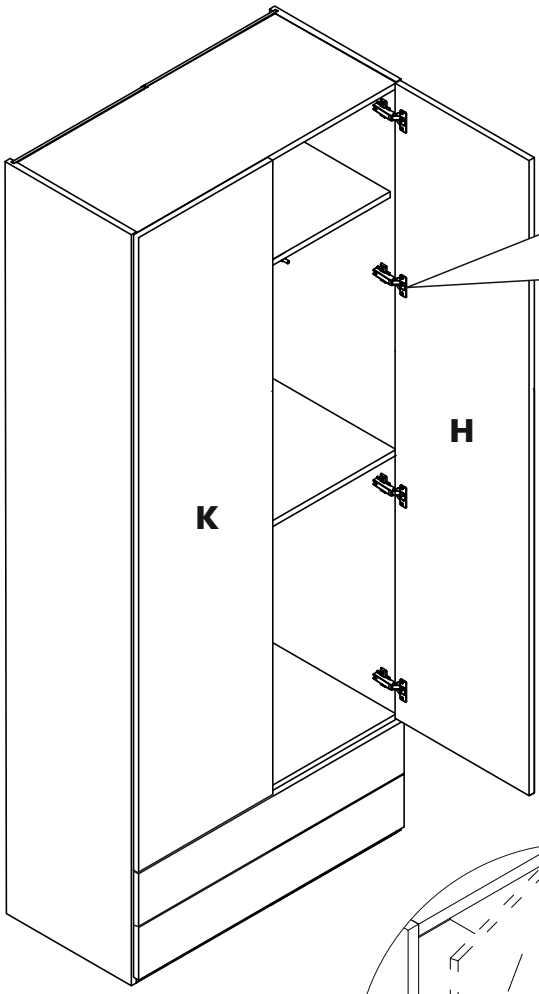
VIDEO



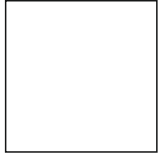
link

STEP B-10

Non spring hinges

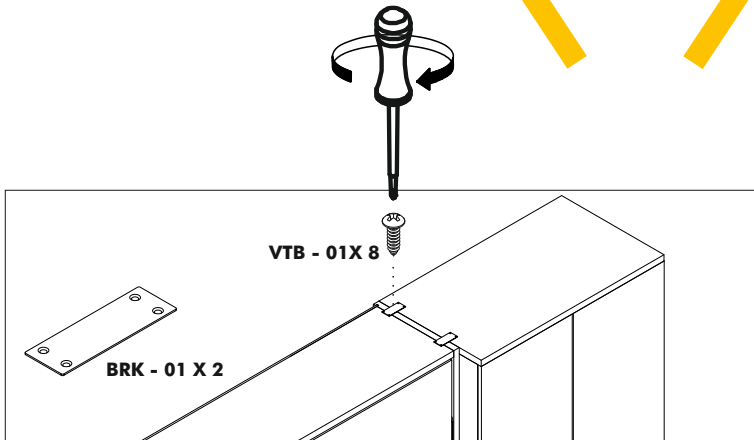
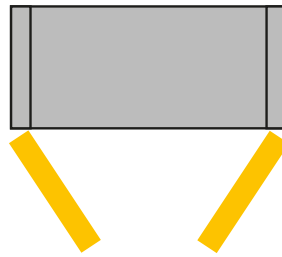
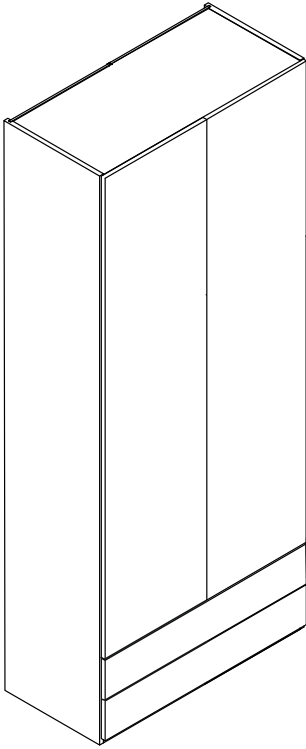


VIDEO

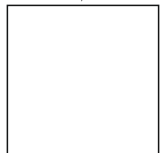


link

STEP B-11



VIDEO



link

ATTENTION / HOW TO / READ ME / OWNER'S GUIDE

1. Cabinets must be securely attached either to the wall and / or side of the wall bed. Hardware is included
2. When mounting to drywall, use appropriate fasteners, such as toggle bolts or attach to wooden or metal studs. Please choose appropriate fasteners for the type of wall and / or studs the cabinet will be mounted on. Drywall mounting fasteners are not included.
3. For safety and product longevity you must periodically inspect the integrity and tightness of the mounting and mechanical connections. Confirm hardware remains properly affixed and connections are snug.
4. Do not lean or rest heavy objects on sides or top of furniture. This may cause balance issues and compromise the integrity of your mounting connections.
5. Please use cabinet shelves and clothes rails as intended. Do not place extremely heavy items on shelves and / or drawers. Improper use may cause personal injury and damage to property.
6. With seasonal humidity change please inspect the interior and exterior of the furniture for deformation and/or discoloration.
7. Before any un-mounting or disassembly please contact Multimo Beds for technical support and instructions. Failure to properly detach may result in personal injury and damage to property.



WARRANTY

RETAIL RESIDENTIAL TERM

Lifetime guarantee on hardware.
5 year structural guarantee on cabinetry.

COMMERCIAL TERM

Lifetime guarantee on hardware.
2 year structural guarantee on cabinetry.



www.multimobeds.com