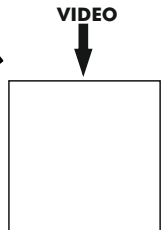
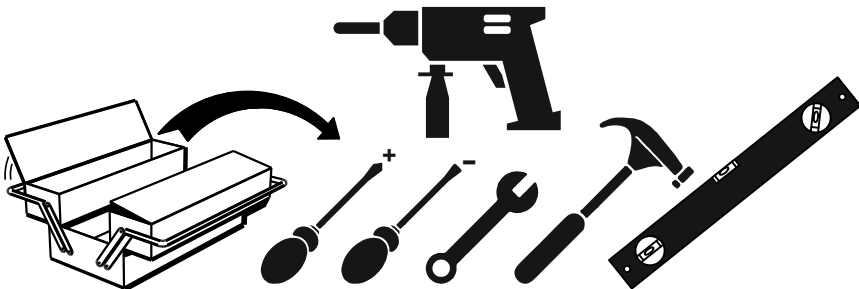
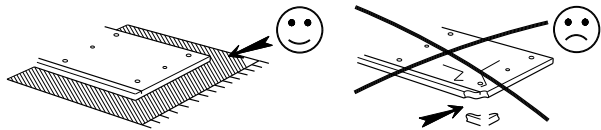
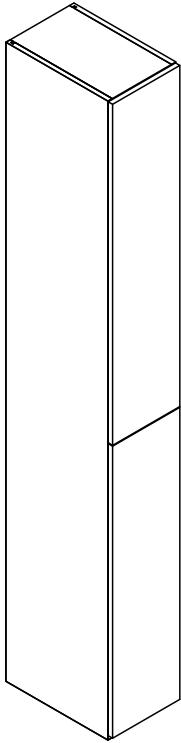




MULTIMO

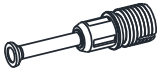

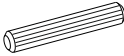

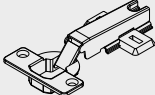
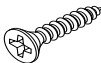
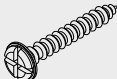
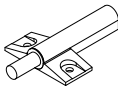
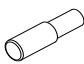



A 206-1 NARROW BOOKCASE

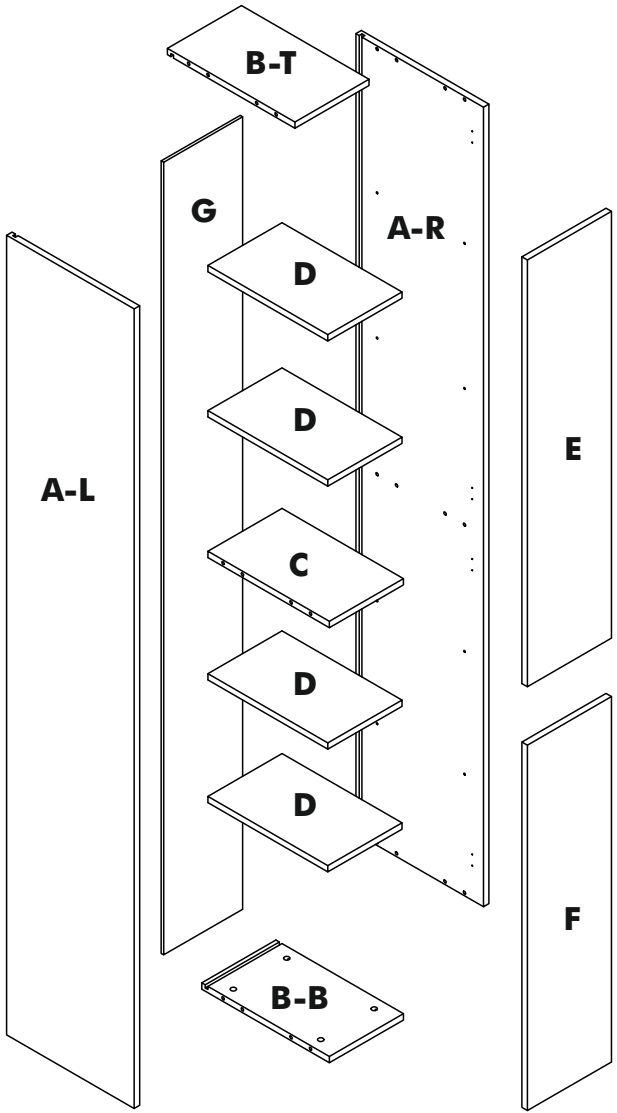


link

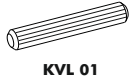
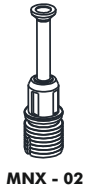
Track Title	Piece	(inch)			(mm)			
		Thickness	Length	Width	Piece	Thick	Height	Most
A		0,71	89,76	16,54	2	18	2280	420
B		0,71	9,61	16,54	2	18	244	420
C		0,71	9,61	15,75	1	18	244	400
D		0,71	9,61	15,55	4	18	244	395
E		0,71	47,91	10,91	1	18	1217	277
F		0,71	41,02	10,91	1	18	1042	277
G		0,31	88,98	10,24	1	8	2260	260

Accessories List

MNX 02  12 / piece	MNG - 01  12 / piece	KVL 01  12 / piece	TAP - 01  12 / piece
T5 - 01  4 / piece	VD - 03 (3,5x18) mm  20 / piece	VD - 02 (3,5x25) mm  8 / piece	B5 - 01  2 / piece
PM - 01  16 / piece	AVT - 01  6 / piece	VTB - 01 (4,8x16) mm  8 / piece	BRK - 01  2 / piece



STEP 1



**TRACK TITLE
A LEFT / A RIGHT**

MNX - 02 X 6

A

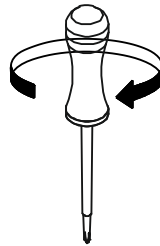
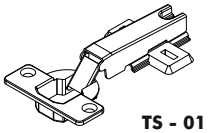
KVL - 01 X 4

Bx2

KVL - 01 X 4

C

STEP 2

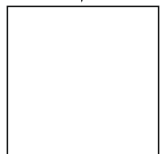


VD - 03 X 8

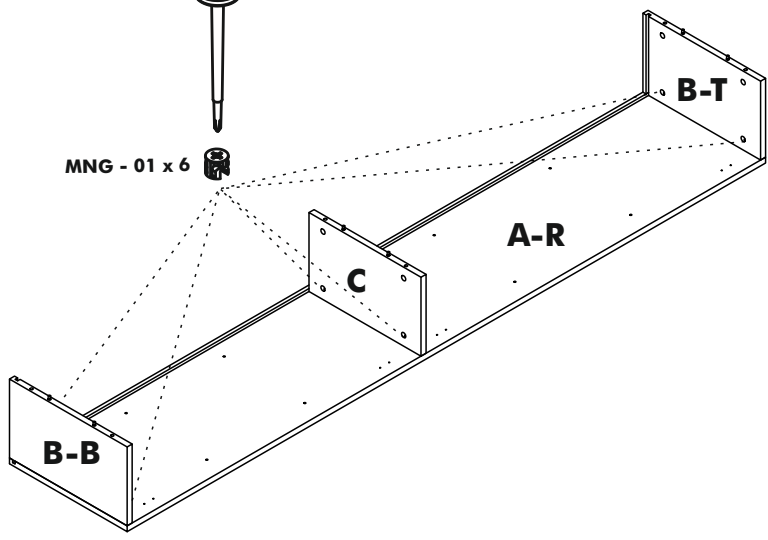
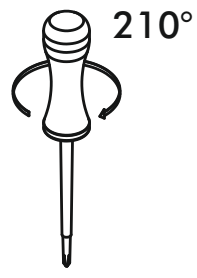
E

F

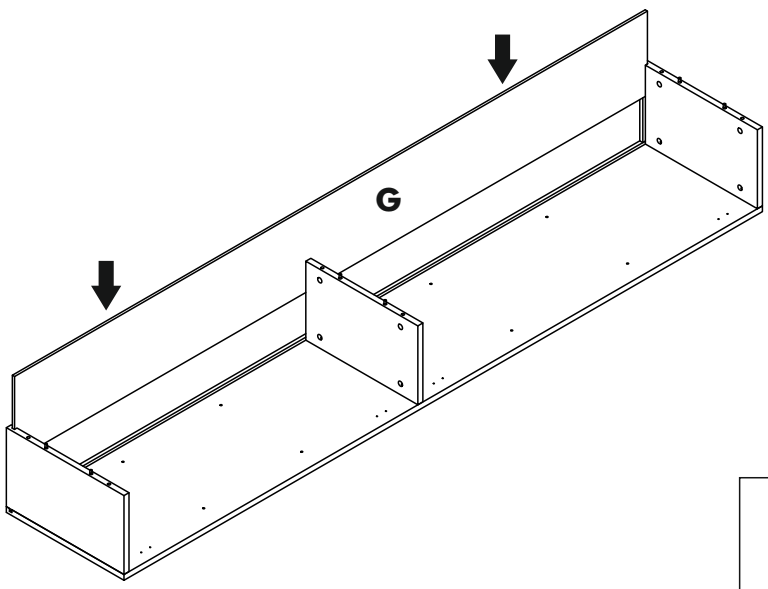
VIDEO



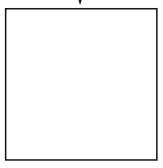
STEP 3



STEP 4

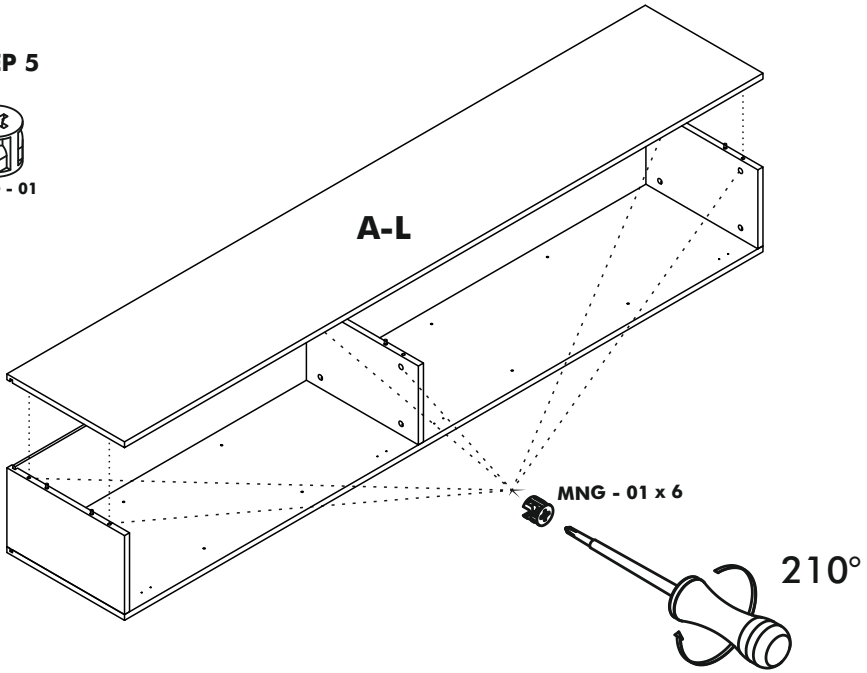


VIDEO

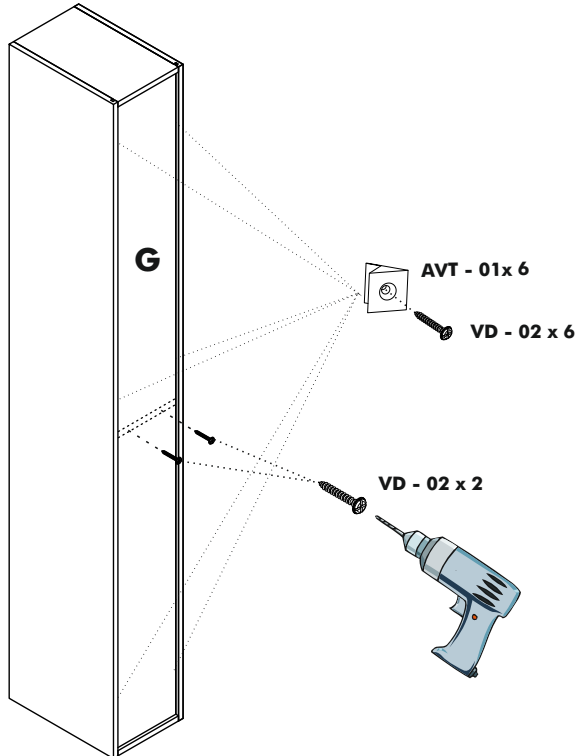


link

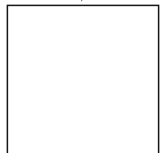
STEP 5



STEP 6

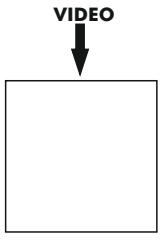
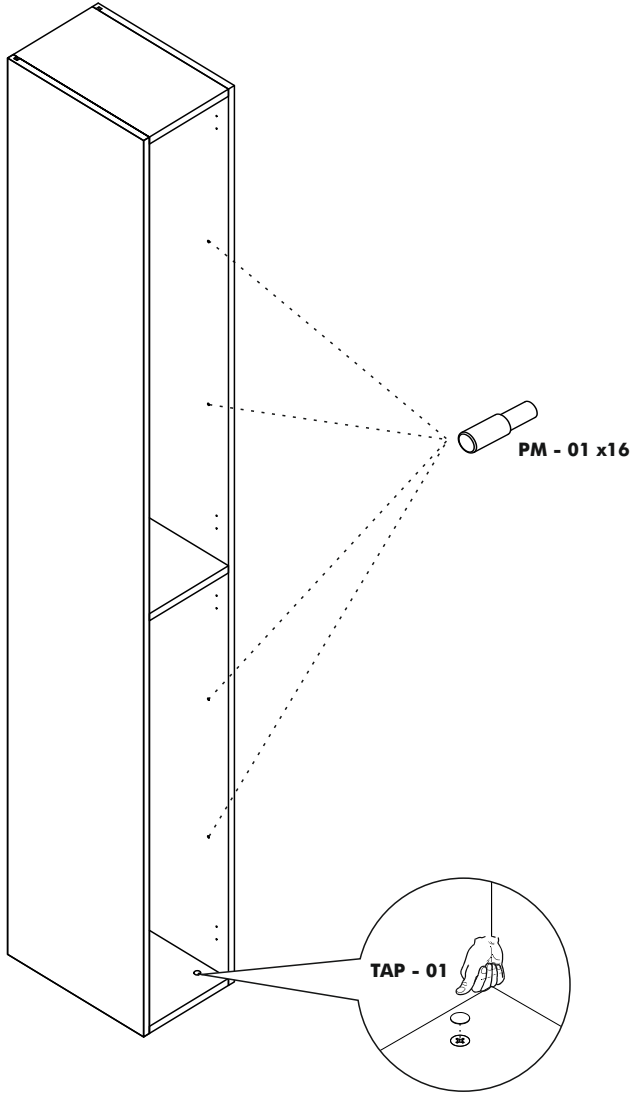


VIDEO

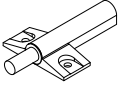


link

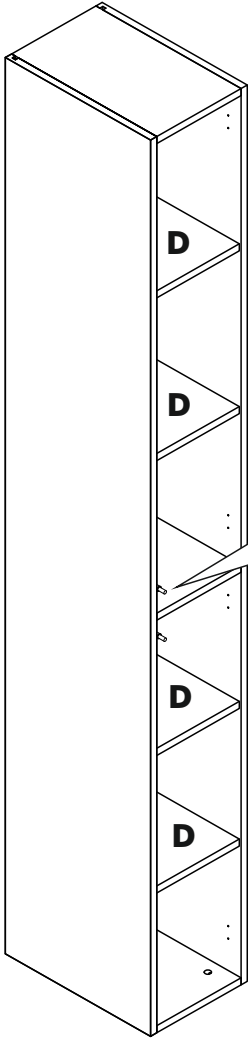
STEP 7



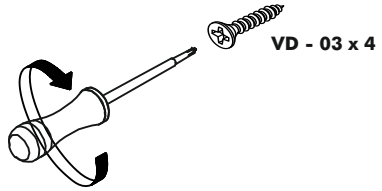
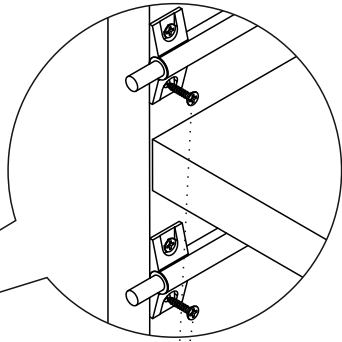
STEP 8



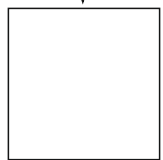
BS - 01



BS - 01 x 2

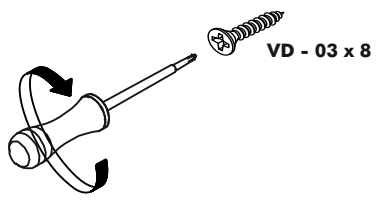
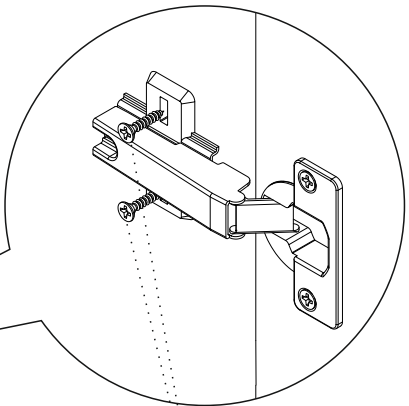
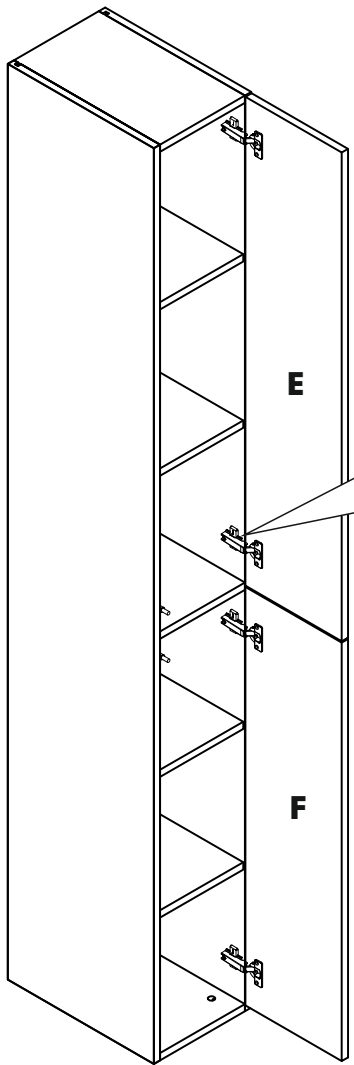


VIDEO

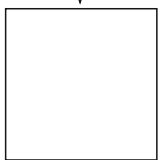


link

STEP 9

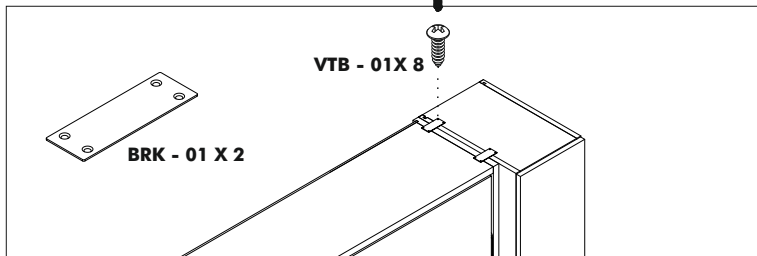
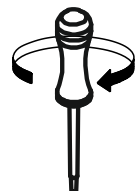
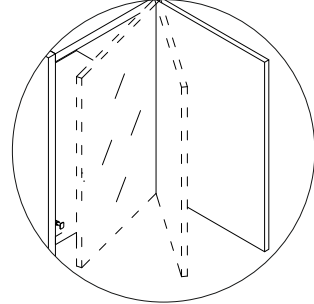
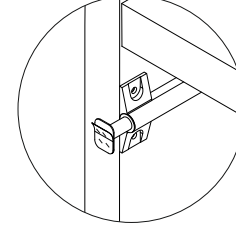
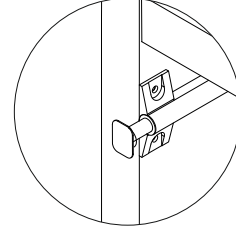
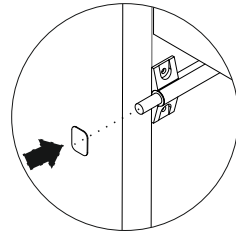
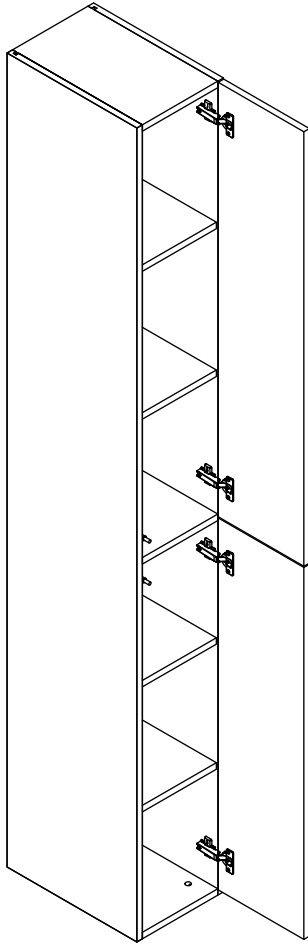


VIDEO

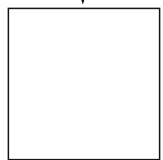


link

STEP 10



VIDEO



link

ATTENTION / HOW TO / READ ME / OWNER'S GUIDE

1. Cabinets must be securely attached either to the wall and / or side of the wall bed. Hardware is included
2. When mounting to drywall, use appropriate fasteners, such as toggle bolts or attach to wooden or metal studs. Please choose appropriate fasteners for the type of wall and / or studs the cabinet will be mounted on. Drywall mounting fasteners are not included.
3. For safety and product longevity you must periodically inspect the integrity and tightness of the mounting and mechanical connections. Confirm hardware remains properly affixed and connections are snug.
4. Do not lean or rest heavy objects on sides or top of furniture. This may cause balance issues and compromise the integrity of your mounting connections.
5. Please use cabinet shelves and clothes rails as intended. Do not place extremely heavy items on shelves and / or drawers. Improper use may cause personal injury and damage to property.
6. With seasonal humidity change please inspect the interior and exterior of the furniture for deformation and/or discoloration.
7. Before any un-mounting or disassembly please contact Multimo Beds for technical support and instructions. Failure to properly detach may result in personal injury and damage to property.



WARRANTY

RETAIL RESIDENTIAL TERM

Lifetime guarantee on hardware.
5 year structural guarantee on cabinetry.

COMMERCIAL TERM

Lifetime guarantee on hardware.
2 year structural guarantee on cabinetry.



www.multimobeds.com