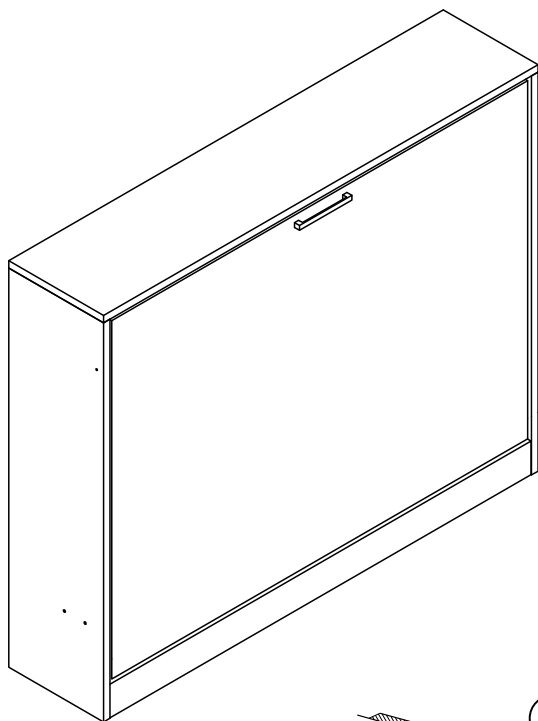




# MULTIMO

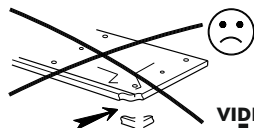
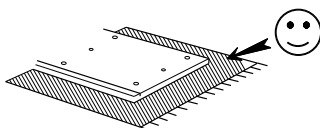
## A 202- SPAZIO



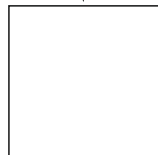
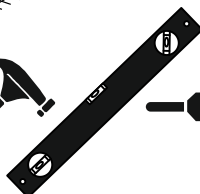
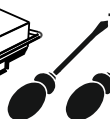
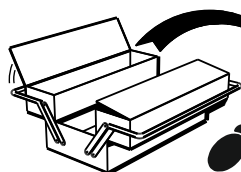
Technical Service



End User



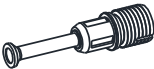

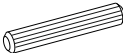

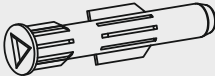

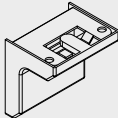
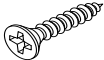

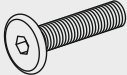
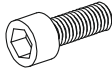
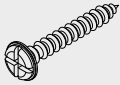


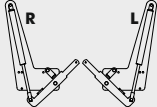
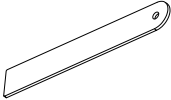
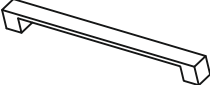


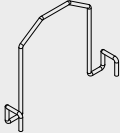

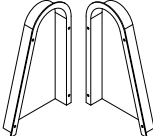

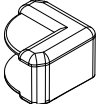
VIDEO

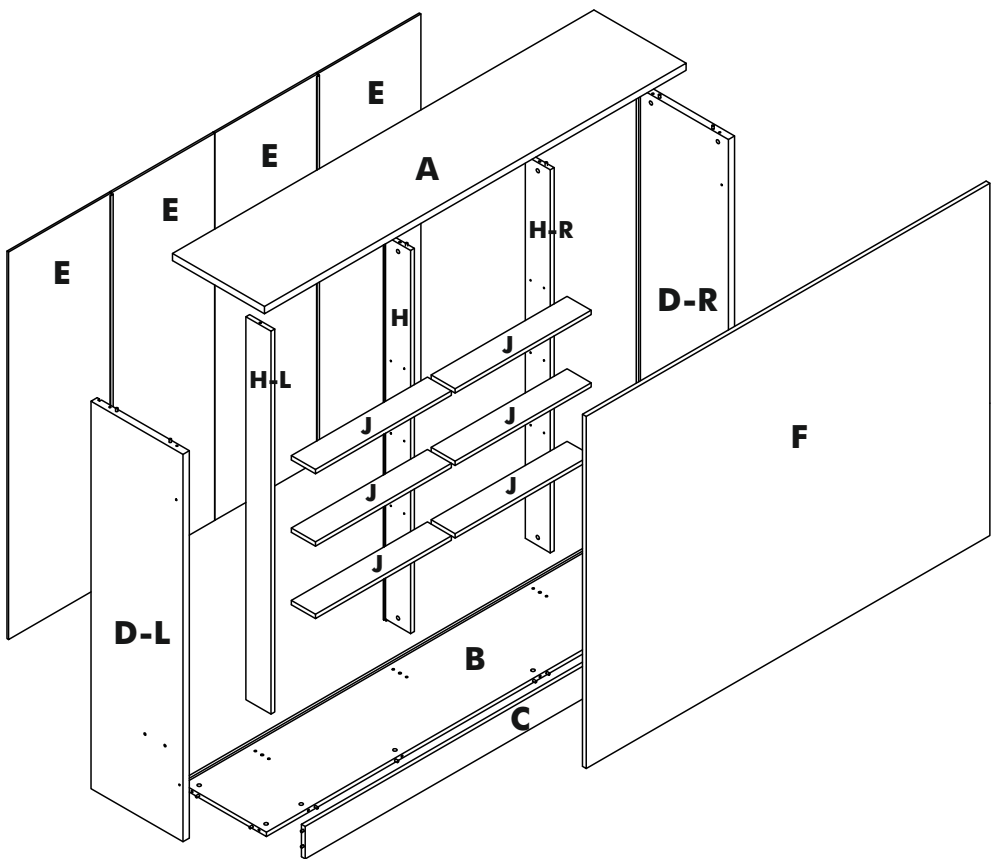



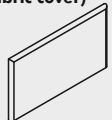
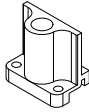

link

Track Title	Piece	(inch)			(mm)			
		Thickness	Length	Width	Piece	Thick	Height	Most
<b>A</b>	1	1,18	79,45	17,40	1	30	2018	442
<b>B</b>	1	0,71	77,01	16,54	1	18	1956	420
<b>C</b>	1	0,71	77,01	5,31	1	18	1956	135
<b>D</b>	2	1,18	63,15	17,32	2	30	1604	440
<b>E</b>	4	0,31	63,07	19,33	4	8	1602	491
<b>F</b>	1	0,71	75,98	56,89	1	18	1930	1445
<b>H</b>	1	0,71	62,44	4,72	1	18	1586	120
<b>H-R / H-L</b>	2	0,71	62,44	4,72	2	18	1586	120
<b>J</b>	6	0,71	25,59	4,65	6	18	650	118

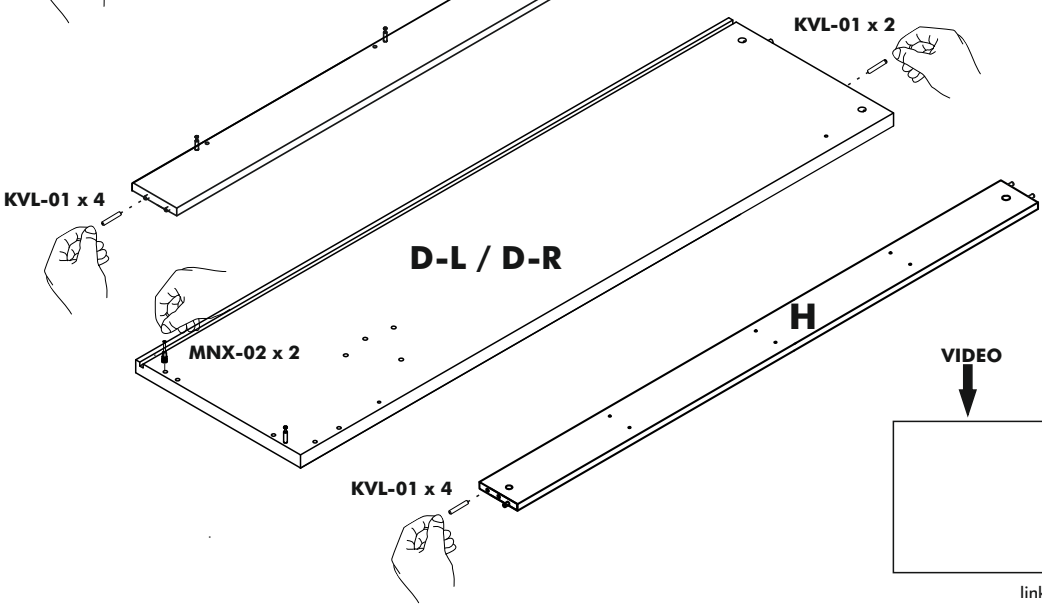
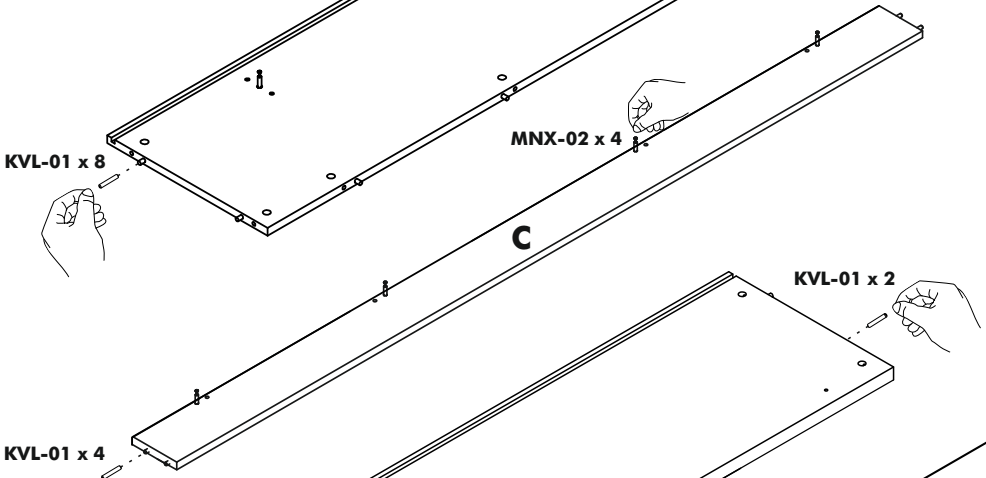
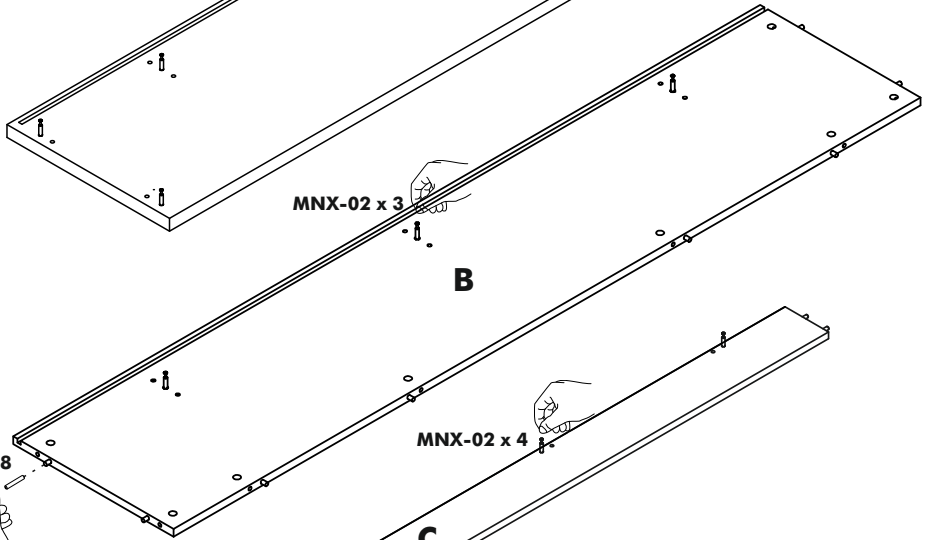
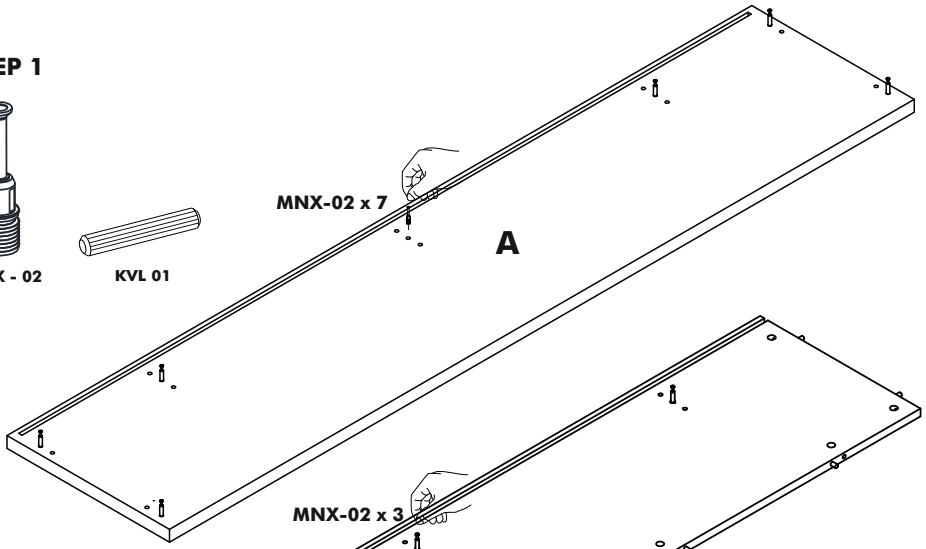
### Accessories List

<b>MNX 02</b>  18 / piece <b>DD - 01 ( R10 )</b>	<b>MNG - 01</b>  18 / piece <b>VD - 01(6X70) mm</b>	<b>KVL 01</b>  52/ piece <b>DSE - 02</b>	<b>TAP - 01</b>  18 / piece <b>VD - 03 ( 3,5x18 ) mm</b>
 2 / piece	 2 / piece <b>CT - 01 ( 6x40 ) mm</b>	 2 / piece <b>IM - 01 (6x30) mm</b>	 6 / piece <b>VD - 02 (3,5x25) mm</b>
 2 / piece <b>AL - 01 (4MM)</b>	 2 / piece <b>AL - 02 (5MM)</b>	 4 / piece <b>MKZ - 02</b>	 16 / piece <b>SC-61</b>
 1 / piece <b>KP - 01 ( 224 ) mm</b>	 1 / piece <b>VKP - 01 (22) mm</b>	 1 / piece <b>950N</b>	 2 / piece <b>TTC 01</b>
 1 / piece <b>VTB - 02 (4,2x16) mm</b>	 2 / piece <b>KMT-01</b>	 10 / piece <b>H 01</b>	 4 / piece <b>KKS - 01</b>
 8 / piece	 1 / piece	 3 / piece	 2 / piece

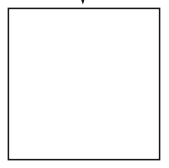


<p><b>KOR 02</b></p>  <p>1 / piece</p>	<p><b>KLF 02 (fabric cover)</b></p>  <p>1 / piece</p>	<p><b>KBP - 01</b></p>  <p>2 / piece</p>	<p><b>YSB - 02 ( 4x20 ) mm</b></p>  <p>4 / piece</p>
---	--	---	---

**STEP 1**

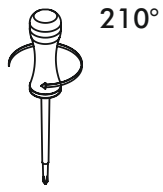


**VIDEO**

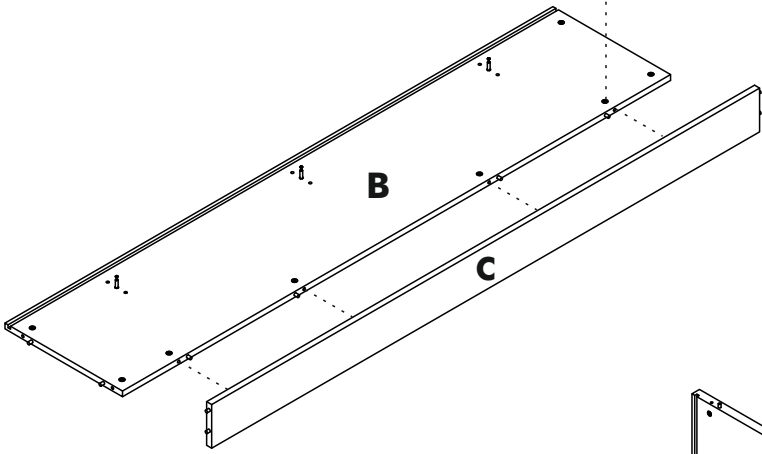


link

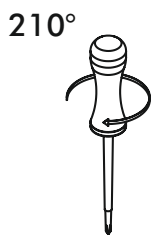
**STEP 2**



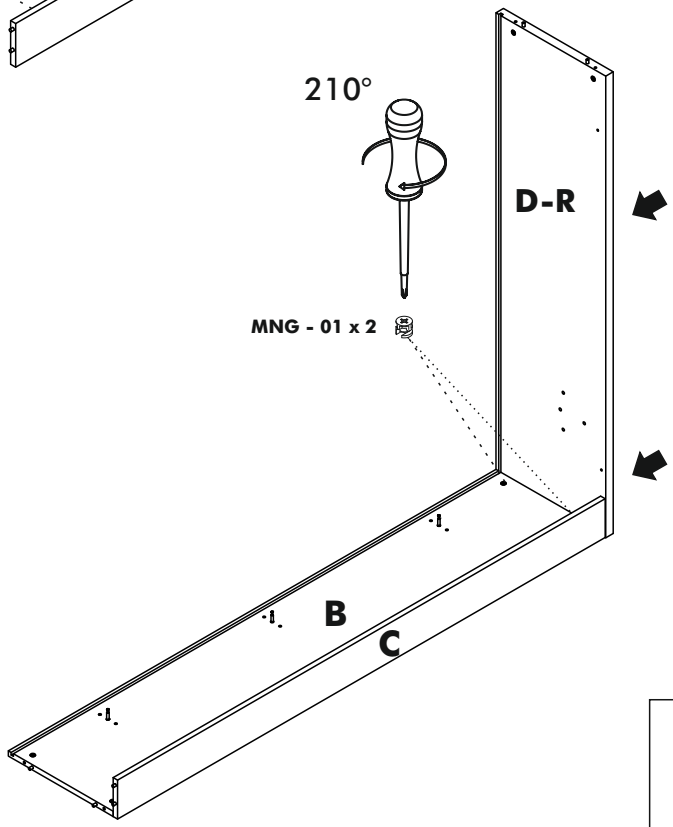
MNG - 01 x 4



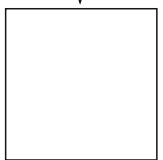
**STEP 3**



MNG - 01 x 2



VIDEO

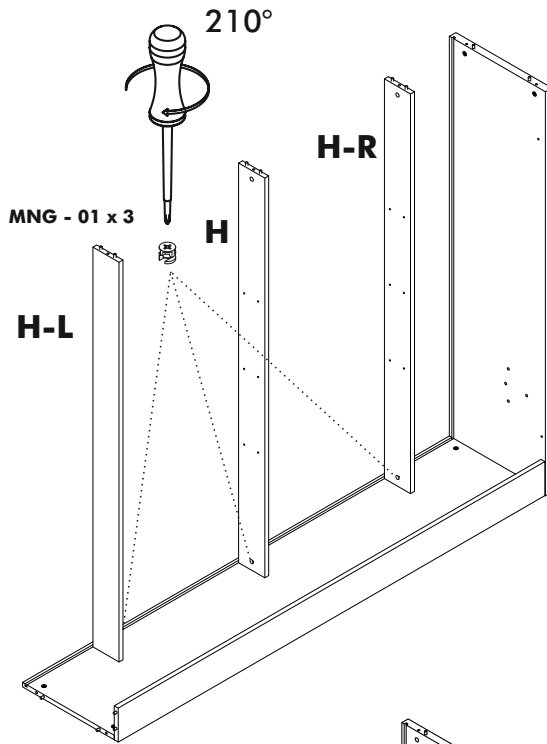


link

**STEP 4**



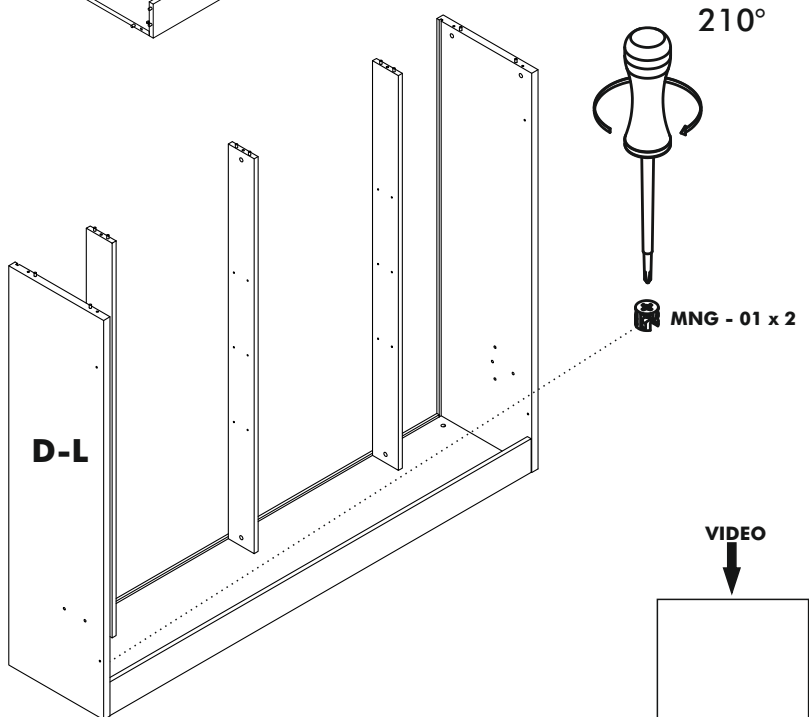
MNG - 01



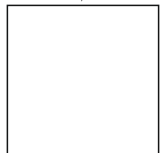
**STEP 5**



MNG - 01

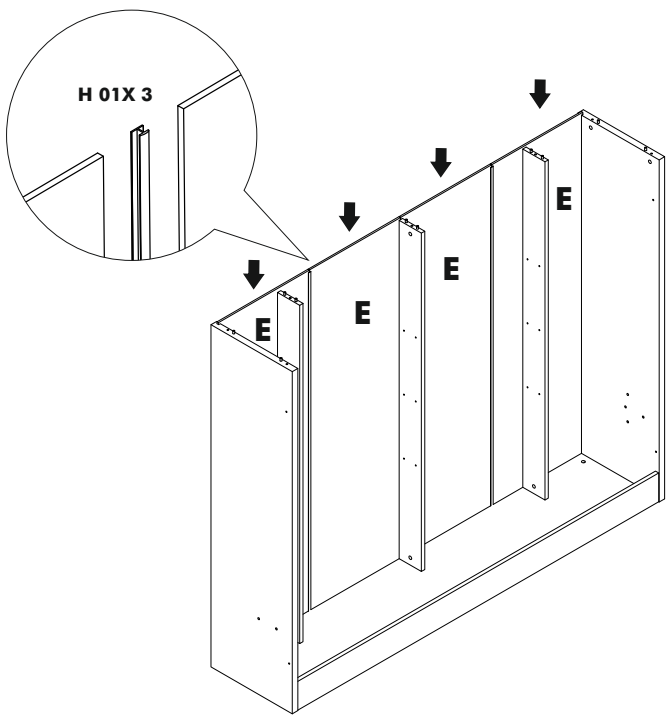


**VIDEO**

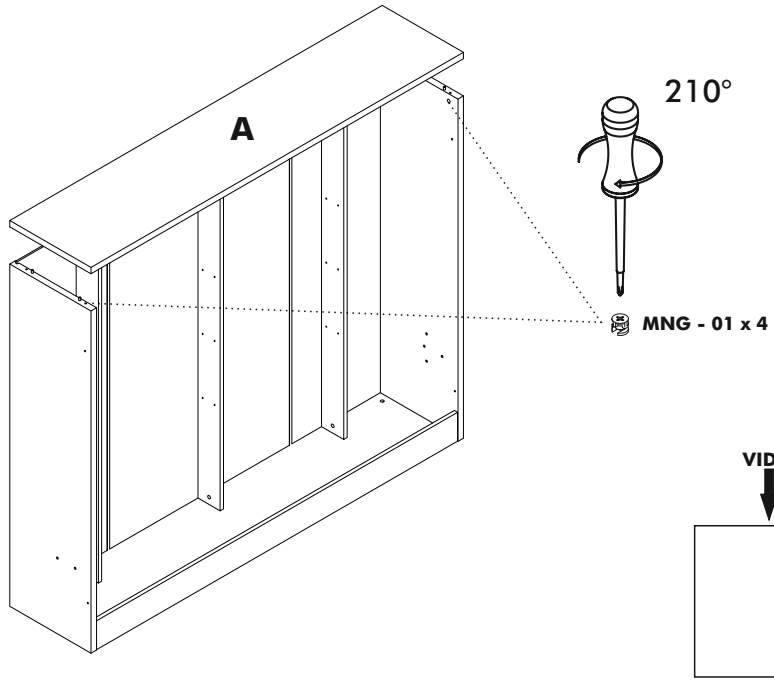


link

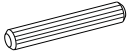
**STEP 6**



**STEP 7**

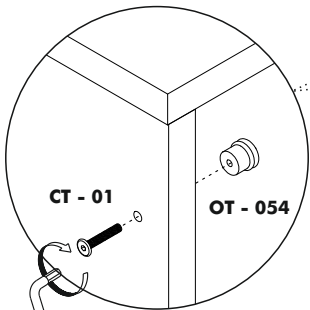
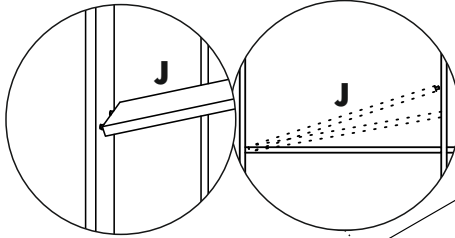
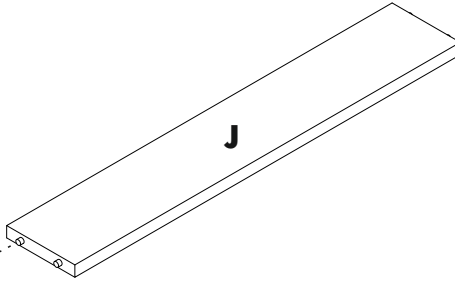


**STEP 8**

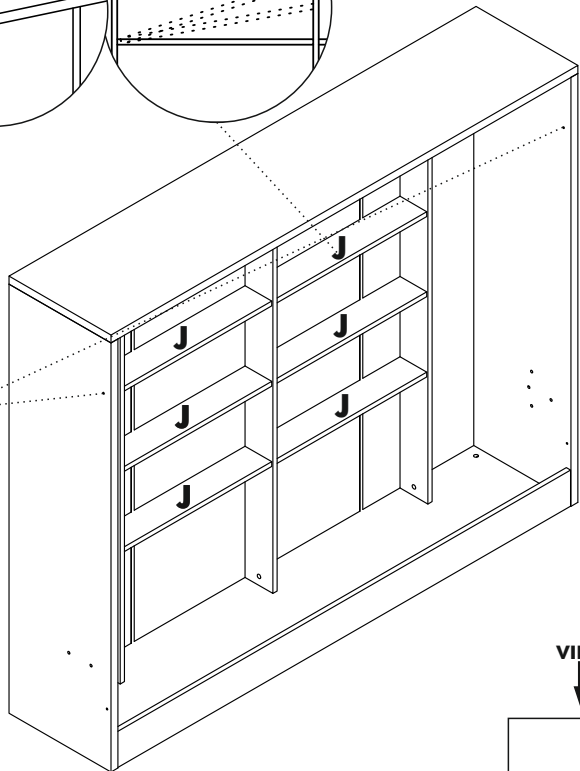


**KVL 01**

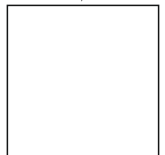
**KVL - 01 x 4**



**AL - 01**



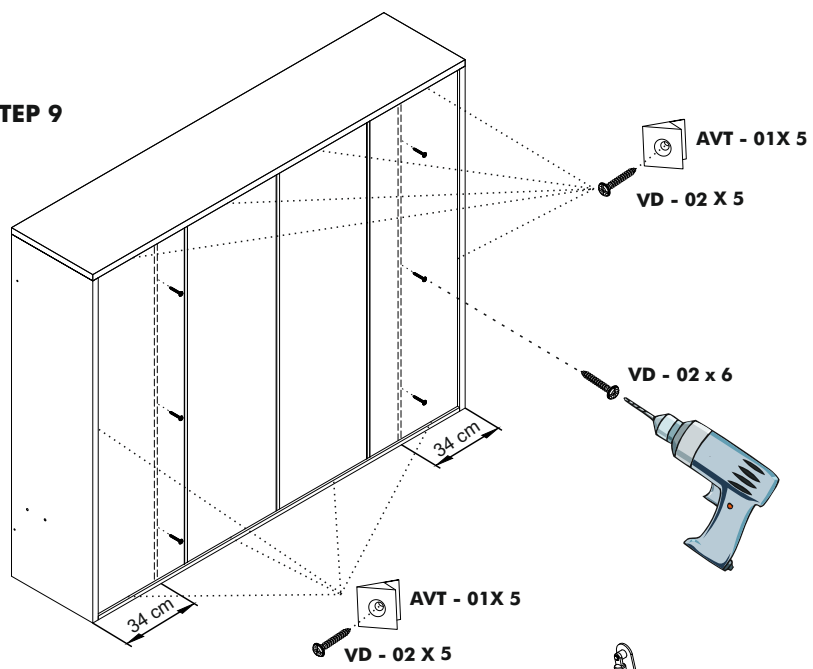
**VIDEO**



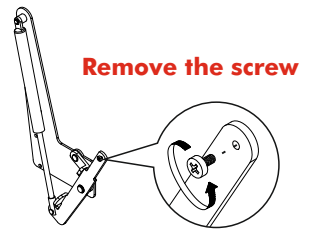
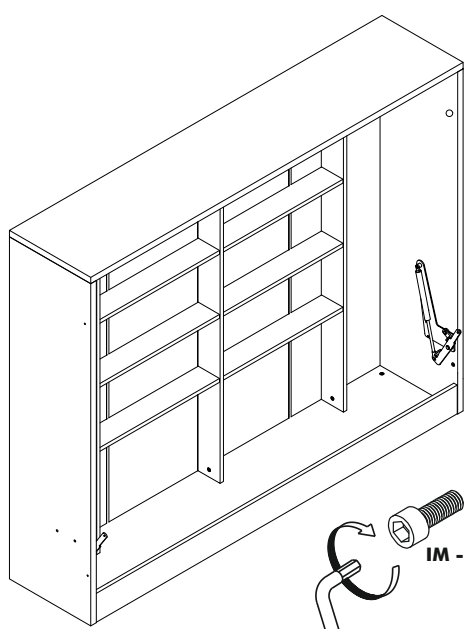
link



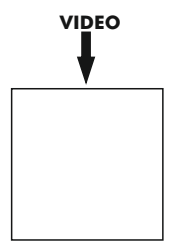
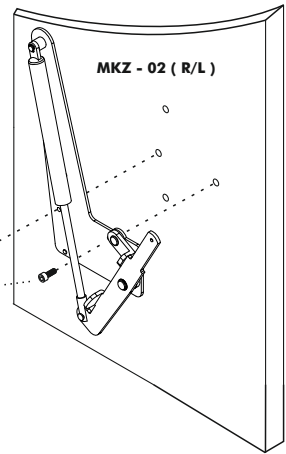
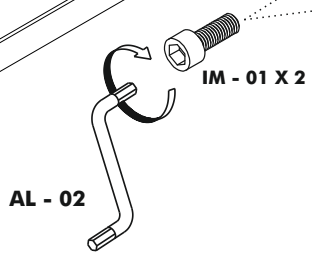
**STEP 9**



**STEP 10**



**CAUTION**  
DO NOT UNLOCK BEFORE INSTALL



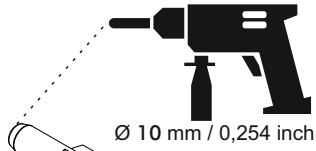


**ATTENTION!!!**

Must be secured to the wall made of brick, concrete or similarly strong material.  
Mounting to wooden or metal studs is also acceptable.

**STEP 11**

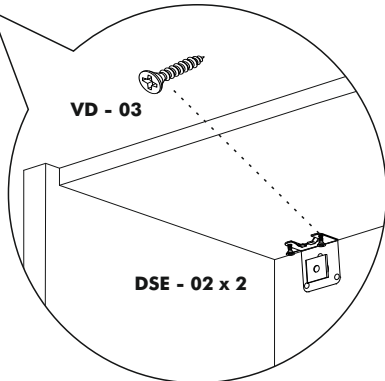
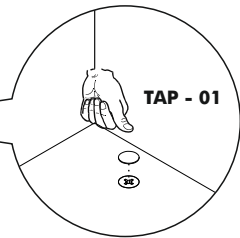
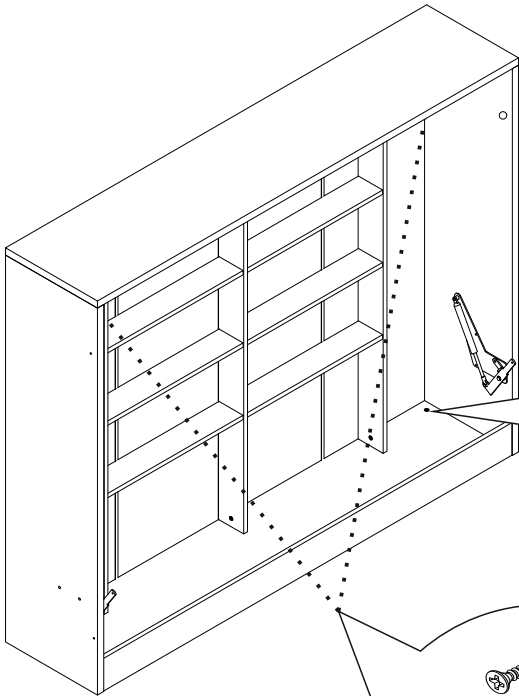
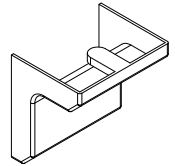
Do not mount directly to sheetrock or paper-mache type walls not supported by studs.



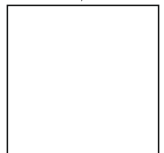
**DD - 01**

**DSE - 02**

**VD - 01**



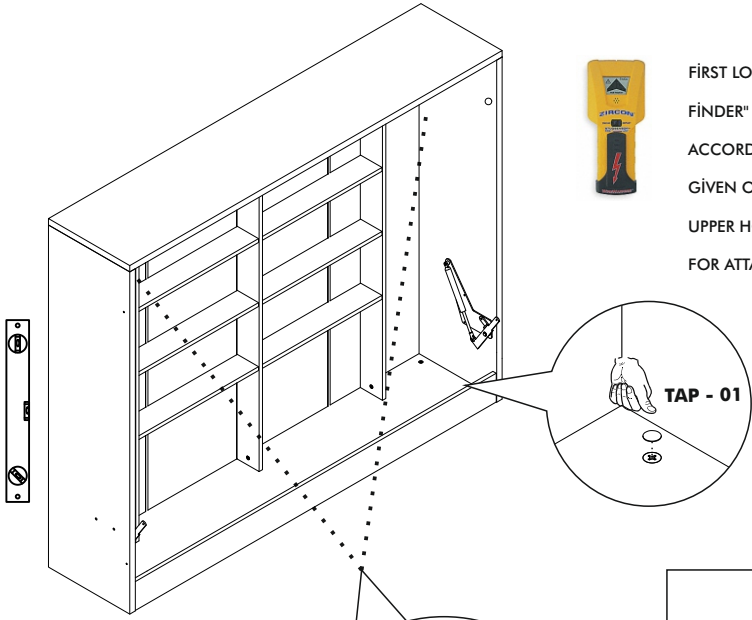
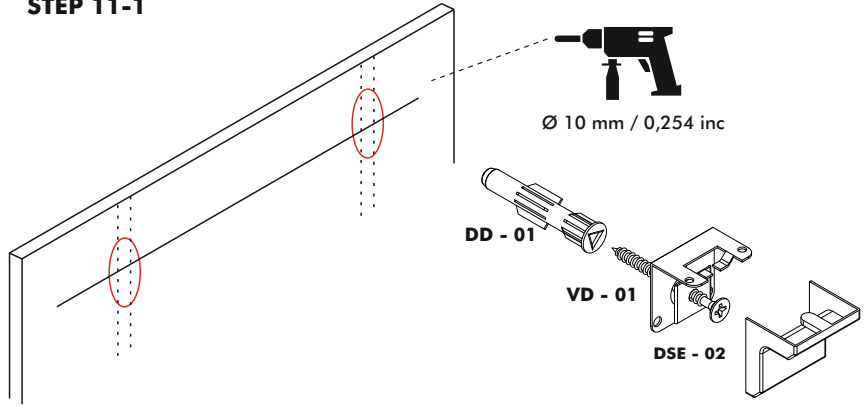
**VIDEO**



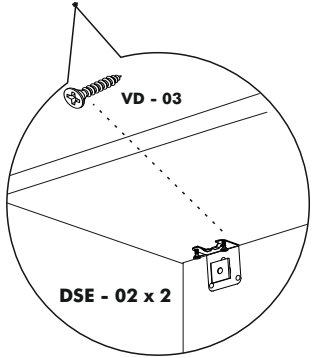
link

# WALLS MADE OF DRYWALL WITH WOODEN OR METAL STUDS

## STEP 11-1




FIRST LOCATE THE STUDS BY USING "STUD FINDER" IN THE WALL AND DRILL IT ACCORDING TO THE HEIGHT MEASUREMENTS GIVEN ON THE SIDE. UPPER HOLES SHOULD BE DRILLED FOR ATTACHING BED AT NEXT STEP.

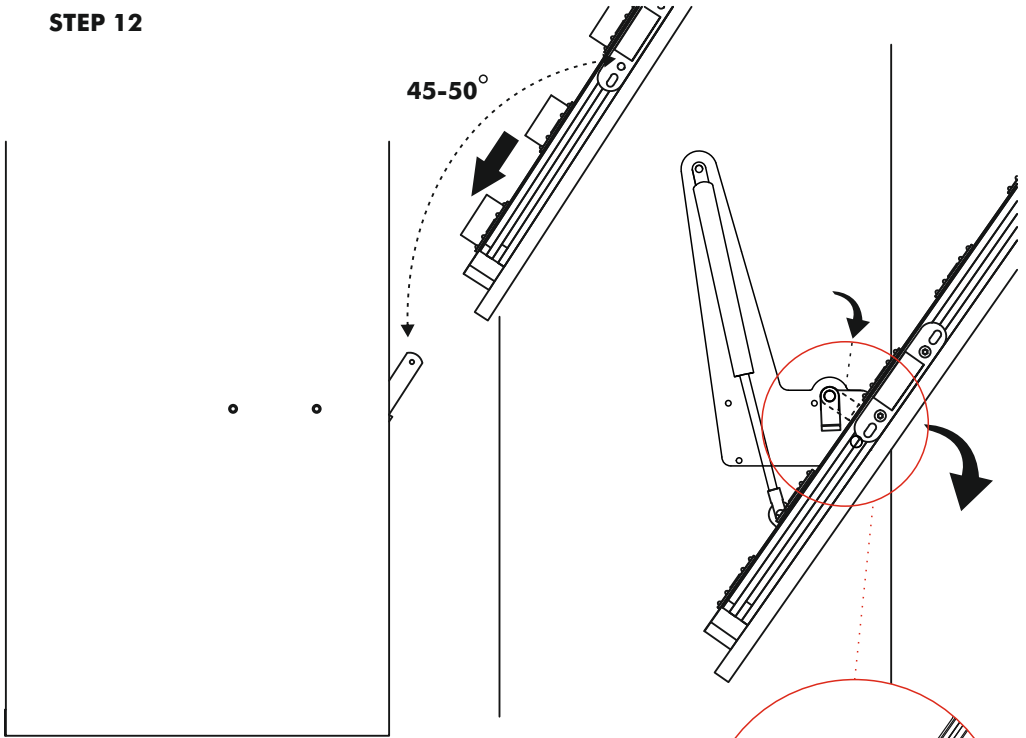


**NOT INCLUDED**

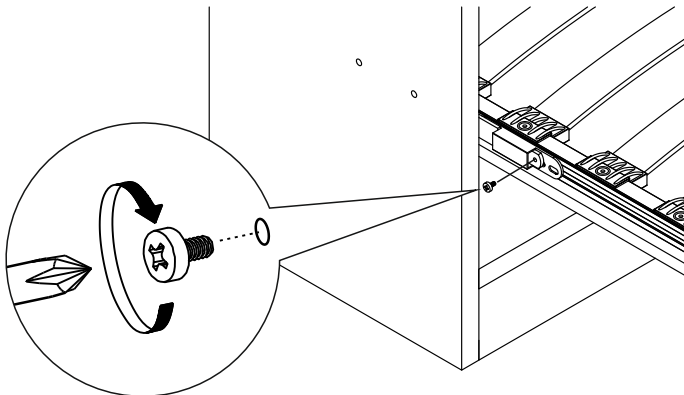
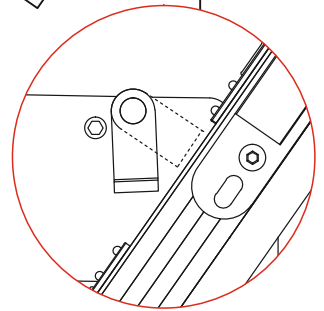
SUPPLY DRYWALL FASTENERS APPROPRIATE TO YOUR WALL TYPE. WE RECOMMEND USING STEEL TOGGLE BOLT ANCHOR THAT SHOWN BELOW



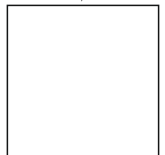
STEP 12



**LET THE STOPPER LOCK MOVE DOWN !!!**

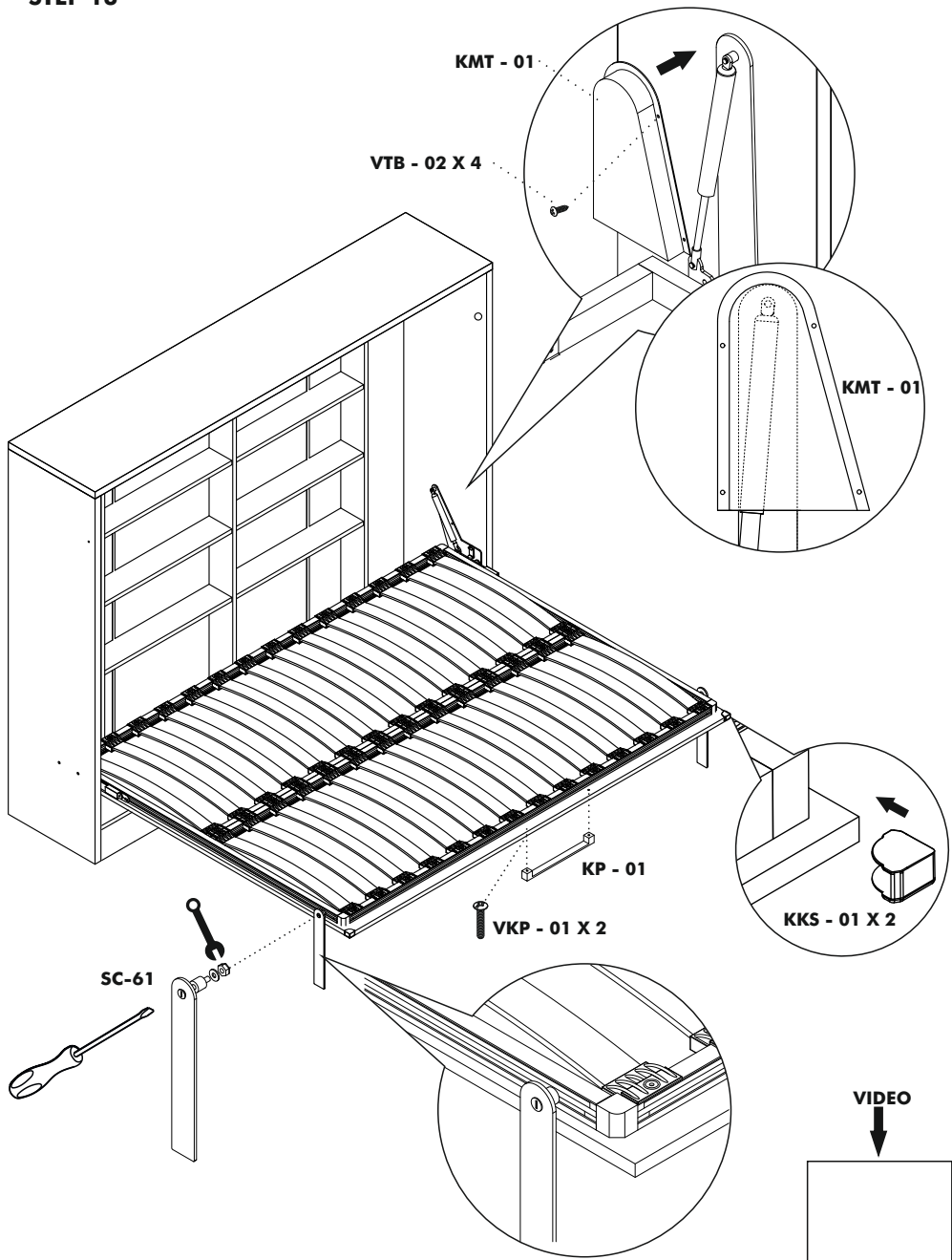


VIDEO

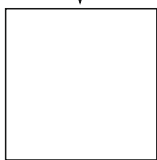


link

# STEP 13

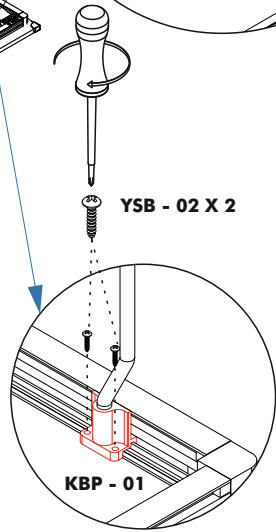
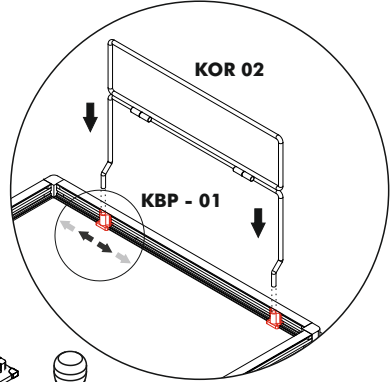
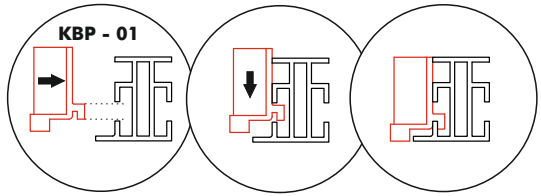
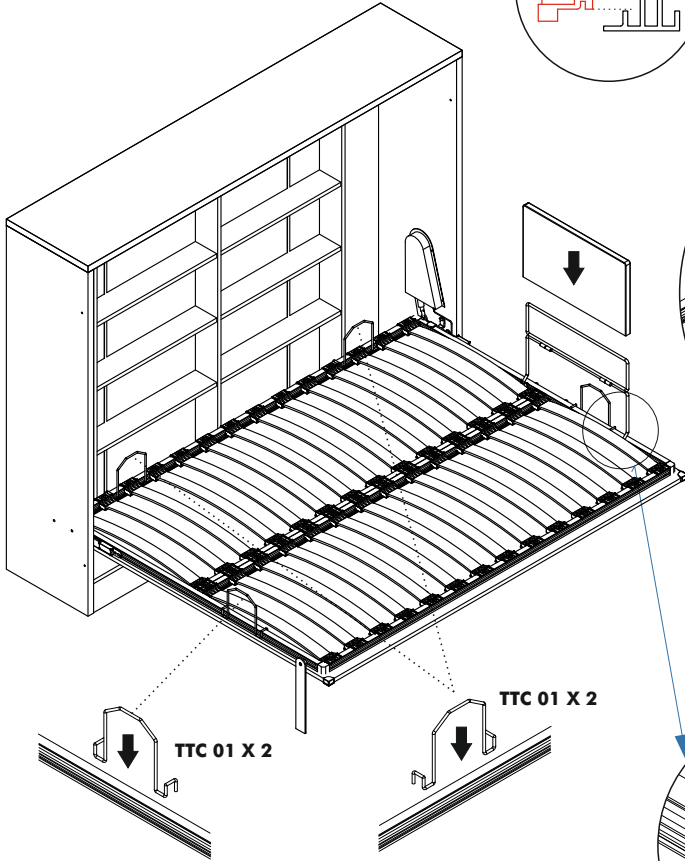


**VIDEO**

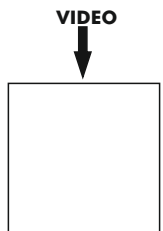
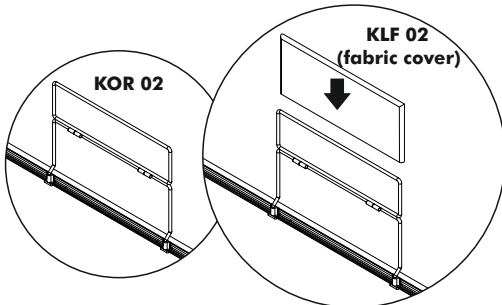


link

**STEP 14**



**CAUTION !**  
**MAKE SURE THAT HEADBOARDS**  
**AND GUARDRAILS ARE FOLDED**  
**BEFORE CLOSING THE BED**



1. Wall beds must be securely attached to the wall. Hardware for mounting to concrete, brick or similar strong material is included.
2. When mounting to drywall, wall beds must be attached to wooden or metal studs in 2 or 3 points. Do not mount wall beds directly to drywall or paper-mache type wall without properly attaching it to studs. Please choose appropriate fasteners for the type of wall the bed will be mounted on. Drywall mounting hardware is not included.
3. For safety and product longevity you must periodically inspect the integrity and tightness of the mounting and mechanical connections. Confirm hardware remains properly affixed and connections are snug.
4. Do not lean or rest heavy objects on sides or top of furniture. This may cause balance issues and compromise the integrity of your mounting connections.
5. Please use wall beds and integrated shelves, desks and sofas as intended. Do not jump and/or exceed supported weight limits. Do not sit or lean on integrated shelves and desks. Improper use may cause personal injury and damage to property.
6. With seasonal humidity change please inspect the interior and exterior of the furniture for deformation and/or discoloration.
7. Before any un-mounting or disassembly please contact Multimo Beds for technical support and instructions. Failure to properly detach may result in personal injury and damage to property.



## WARNINGS

### IMPORTANT! HAZARD WARNING!

All Wall Beds contain sophisticated and powerful lifting mechanism. Failure to follow assembly and installation instructions may result in **severe personal injury and damage of the product.**

### SECURE RIGIDLY TO A WALL!

Improper attaching wall bed to a wall will create a tip-over hazard and may result in severe personal injury or even death. **ONLY qualified installers should install or remove a wall bed.**



## WARRANTY

### RETAIL RESIDENTIAL TERM

Lifetime guarantee on hardware.  
**5 year** structural guarantee on cabinetry.

### COMMERCIAL TERM

Lifetime guarantee on hardware.  
**2 year** structural guarantee on cabinetry.



[www.multimobeds.com](http://www.multimobeds.com)